



Parker House
FURNITURE

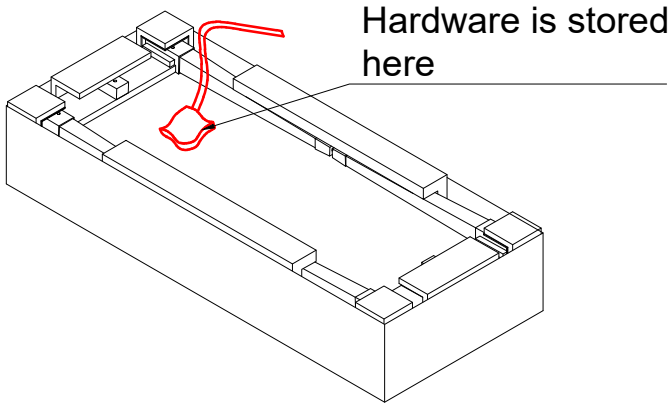
Assembly Instruction

Item NO. SHO#485-EFW/ SHO#485-MDR

Part List

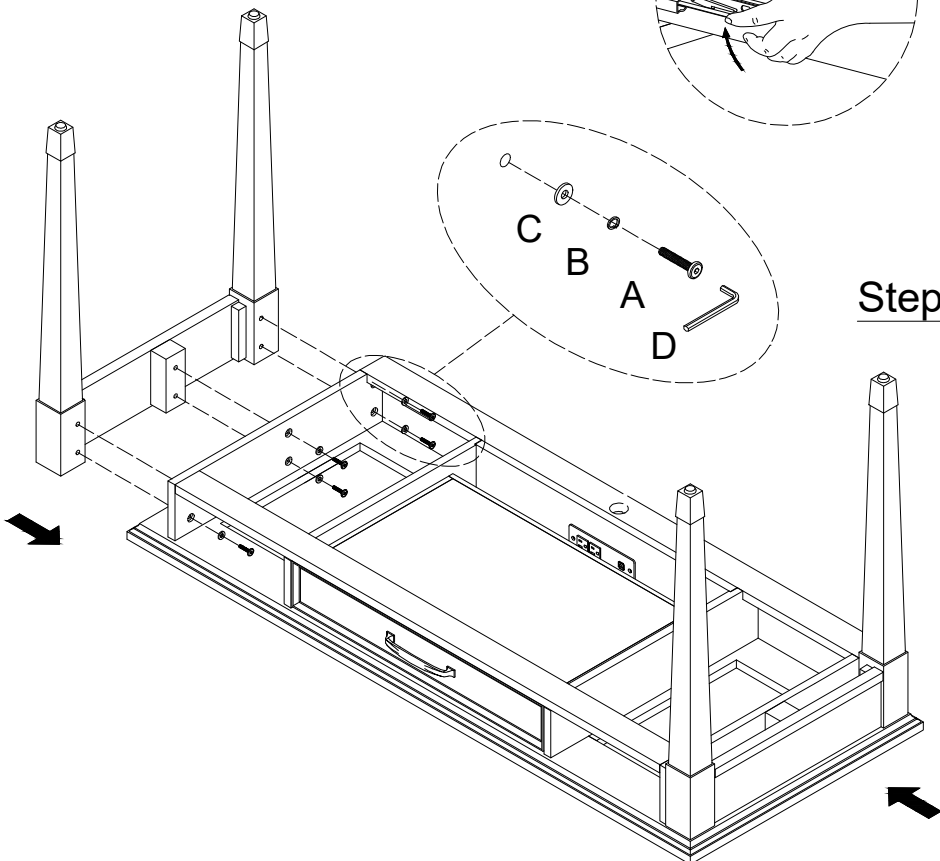
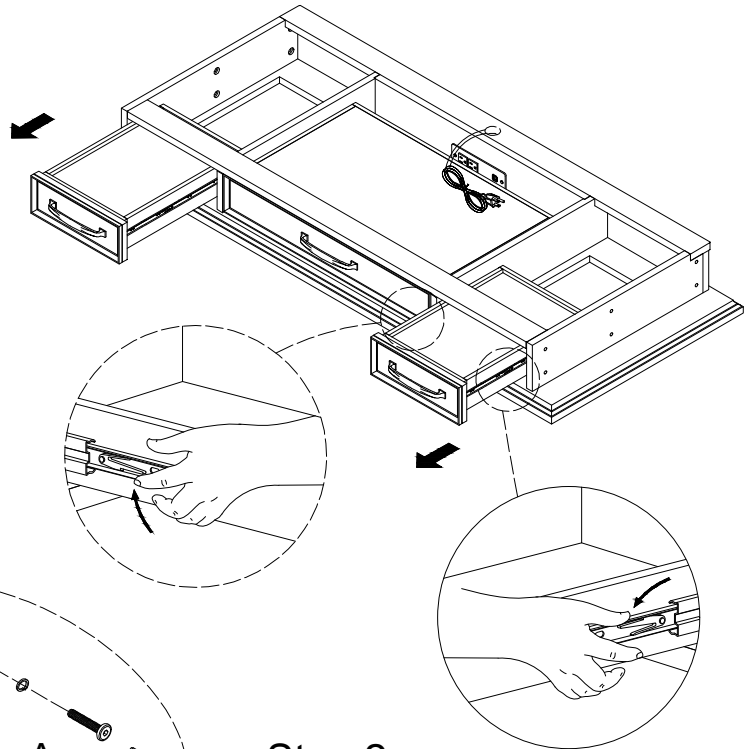
No.	Description	Q'ty
#1	Desk Top	1
#2	Side Frame	2

Hardware bag			1SET
A	Bolt	Ø1/4"x32mmL	12PCS
B	Lock washer	1/4"xØ13mm	12PCS
C	Flat washer	1/4"xØ16mm	12PCS
D	Allen Wrench	4mm	1PC
E	Desk Grommet		2PCS
F	Touch Up Pen		1PC



Step 1:

Take out the drawer. Press the tab down on the right side of the drawer and lift tab up on the left side of the drawer at the same time. Then pull drawer out another inch to disengage latch.



Step 2:



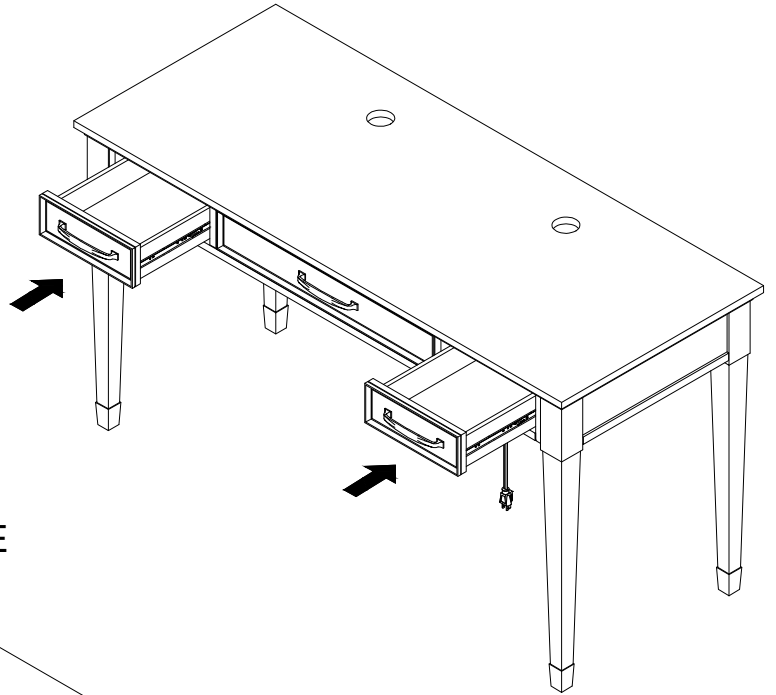
Parker House
FURNITURE

Assembly Instruction

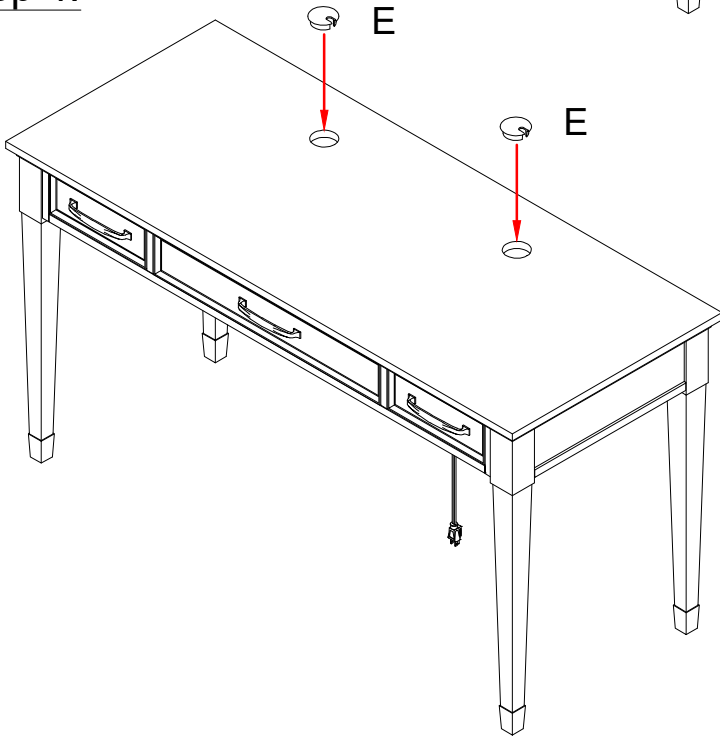
Item NO. SHO#485-EFW/ SHO#485-MDR

Step 3:

Replace the drawers. Align the drawer rails with the receiving slides. Push drawer in all the way. Gently open and close the drawer to ensure it is seated properly on the slides.



Step 4:



Step 5:

