



Parker House  
FURNITURE

# Assembly Instruction

Item NO. SHO#480/481/482-EFW

SHO#480/481/482-MDR

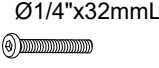
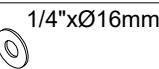
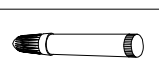
## Part List

No.	Description
SHO#480-EFW	Desk Top
SHO#481-EFW	Base Left (small)
SHO#482-EFW	Base Right (large)

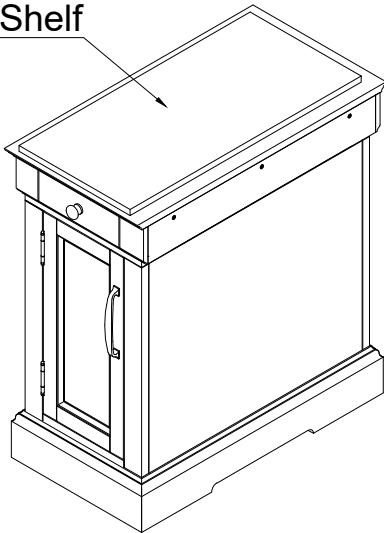
## Hardware bag



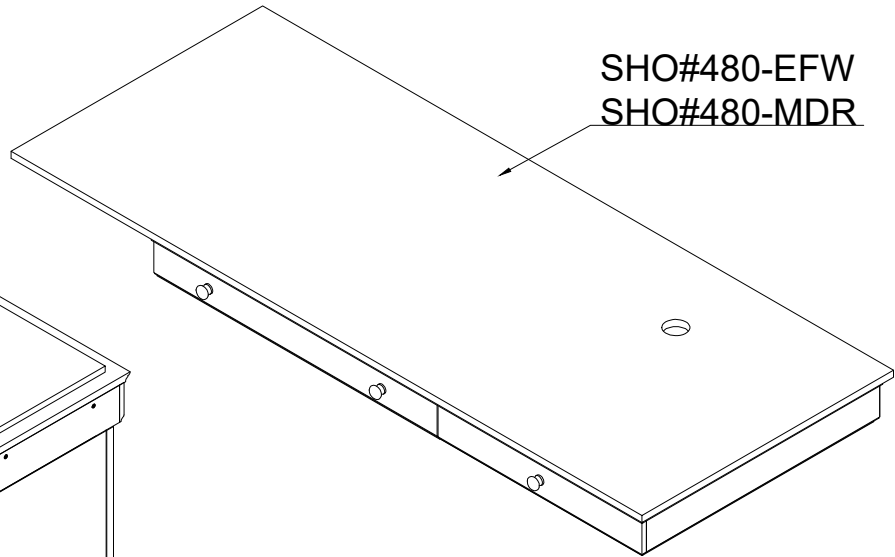
1SET

A	Bolt	 Ø1/4"x32mmL	11PCS
B	Lock washer	 1/4"xØ13mm	11PCS
C	Flat washer	 1/4"xØ16mm	11PCS
D	Allen Wrench	 4mm	1PC
E	Desk Grommet		1PC
F	Touch Up Pen		1PC

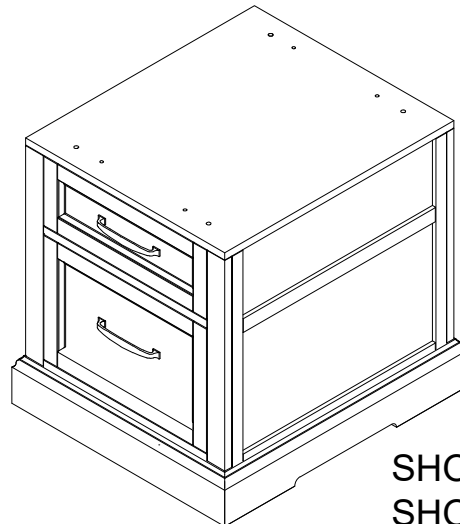
Interior Shelf



SHO#481-EFW  
SHO#481-MDR



SHO#480-EFW  
SHO#480-MDR



SHO#482-EFW  
SHO#482-MDR



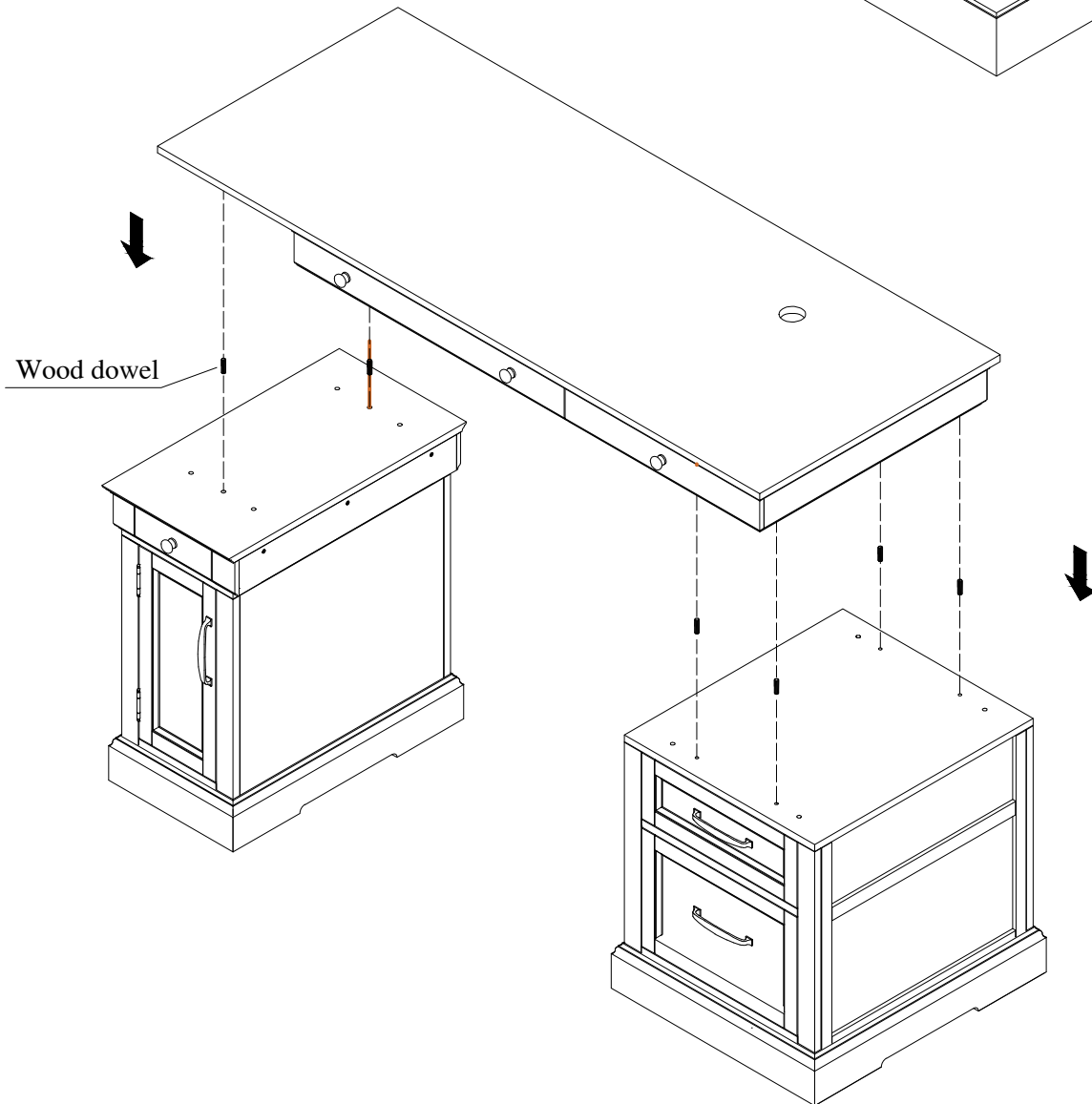
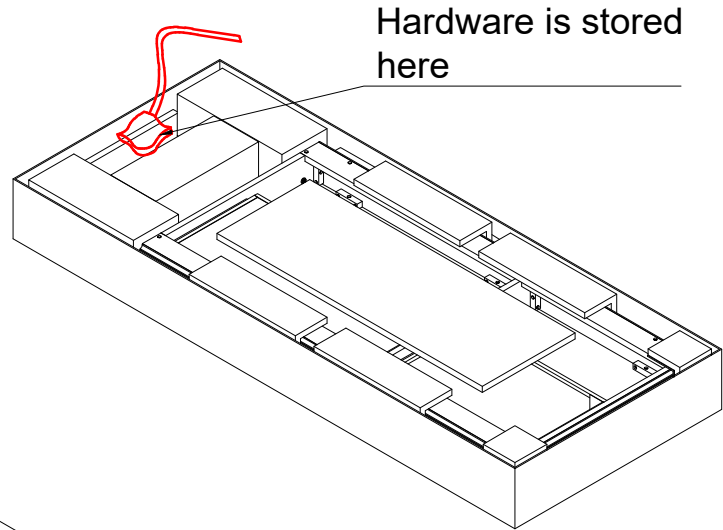
Parker House  
FURNITURE

# Assembly Instruction

Item NO. SH0#480/481/482-EFW

SH0#480/481/482-MDR

## Step 1:





Parker House  
FURNITURE

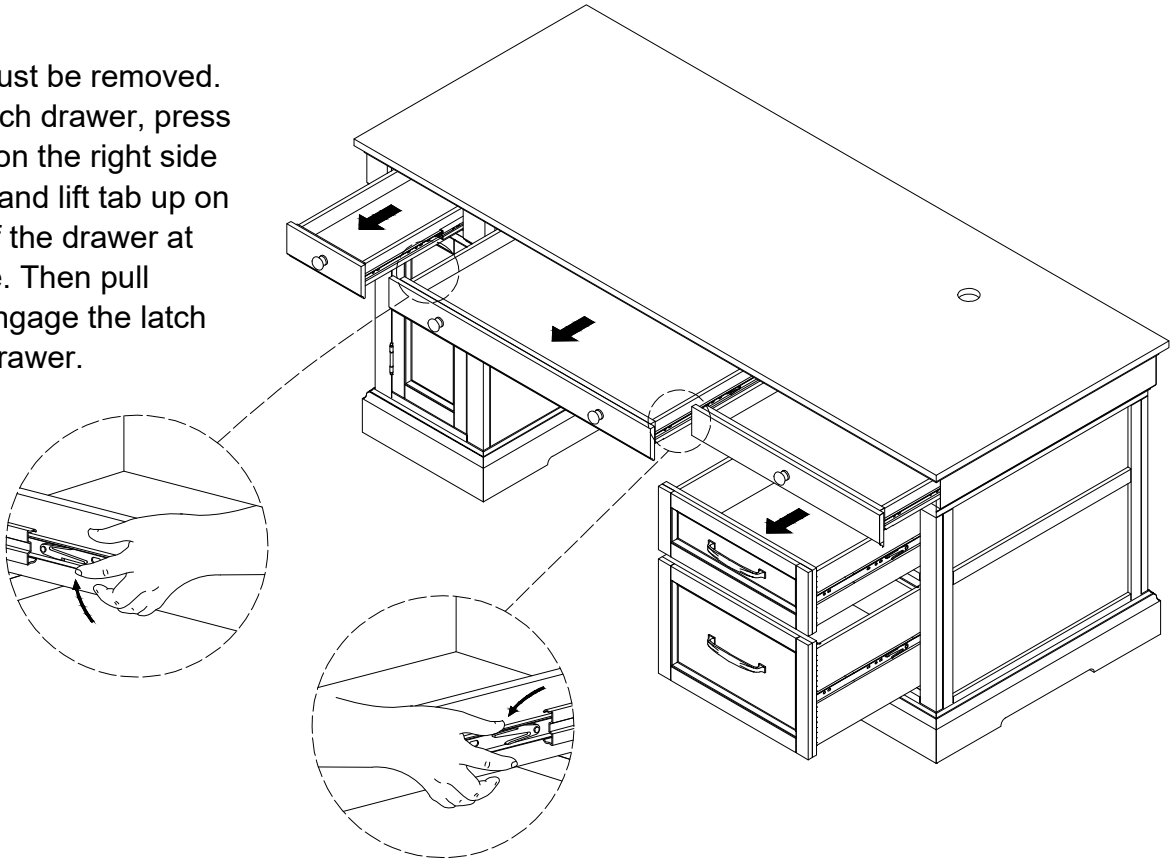
# Assembly Instruction

Item NO. SH0#480/481/482-EFW

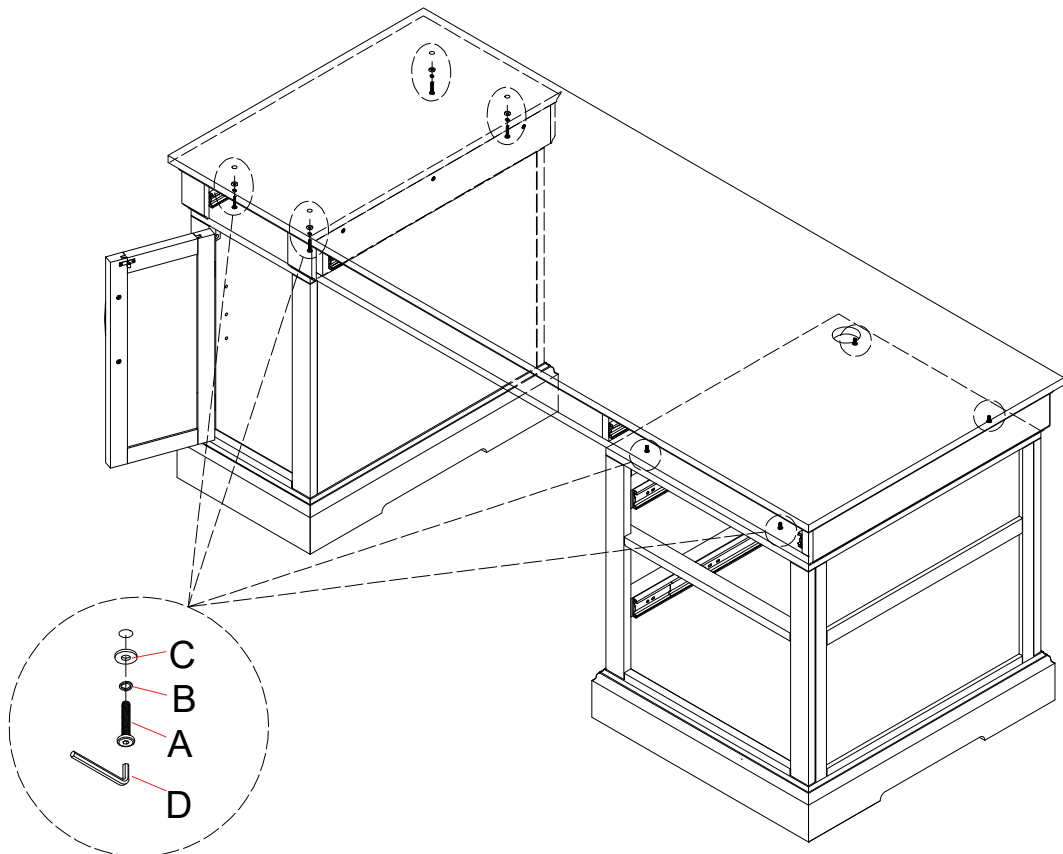
SH0#480/481/482-MDR

## Step 2:

All drawers must be removed.  
To remove each drawer, press the tab down on the right side of the drawer and lift tab up on the left side of the drawer at the same time. Then pull slowly to disengage the latch and remove drawer.



## Step 3:





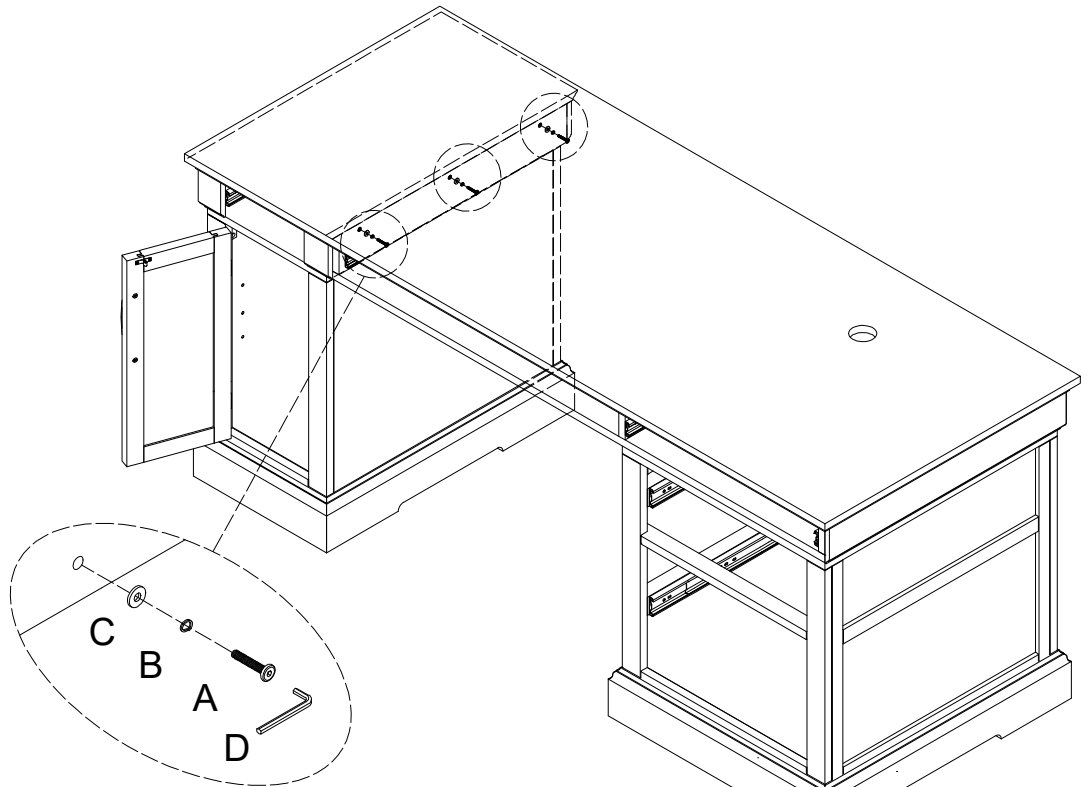
Parker House  
FURNITURE

# Assembly Instruction

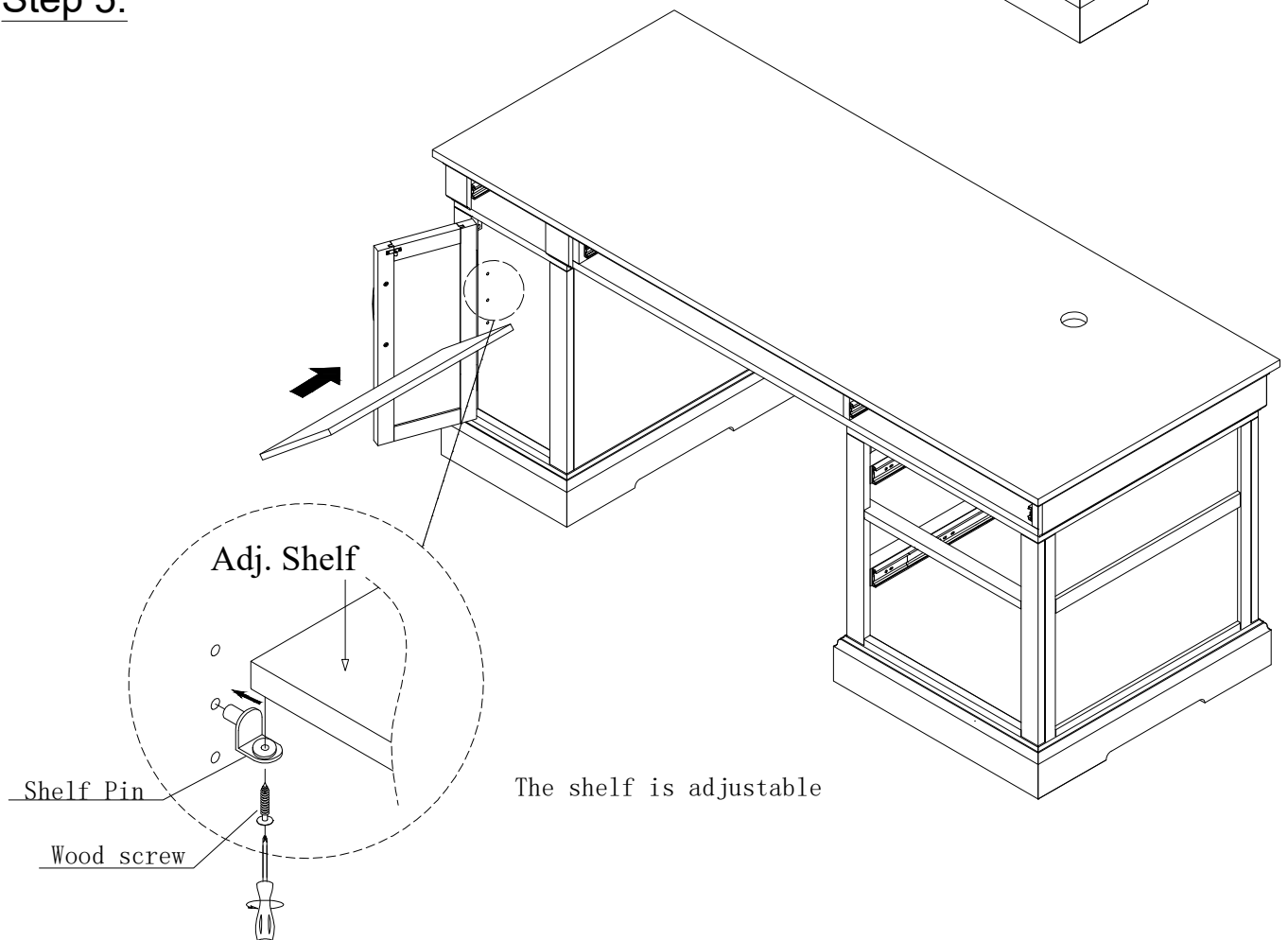
Item NO. SH0#480/481/482-EFW

SH0#480/481/482-MDR

## Step 4:



## Step 5:





Parker House  
FURNITURE

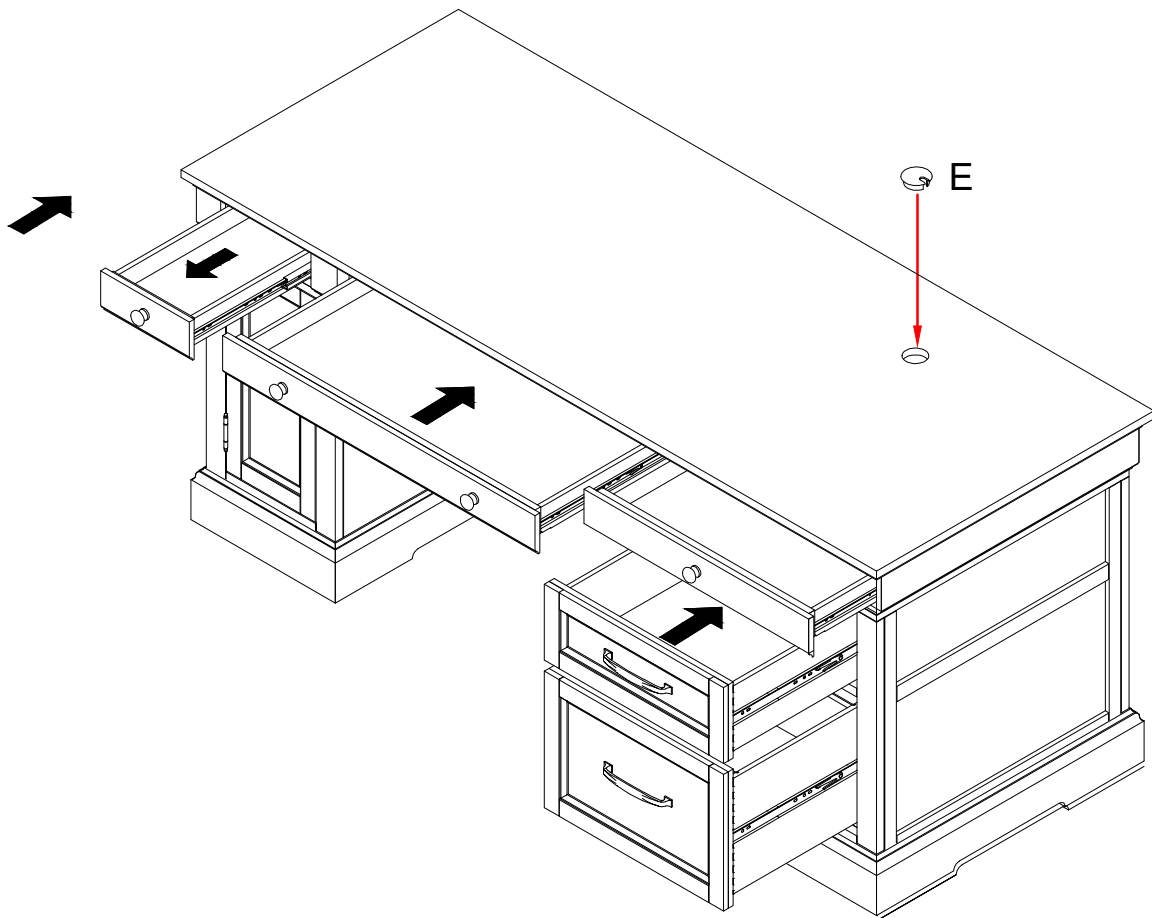
# Assembly Instruction

Item NO. SH0#480/481/482-EFW

SH0#480/481/482-MDR

## Step 6:

Replace the drawers. Align the drawer rails with the receiving slides. Push drawer in all the way. Gently open and close the drawer to ensure it is seated properly on the slides.





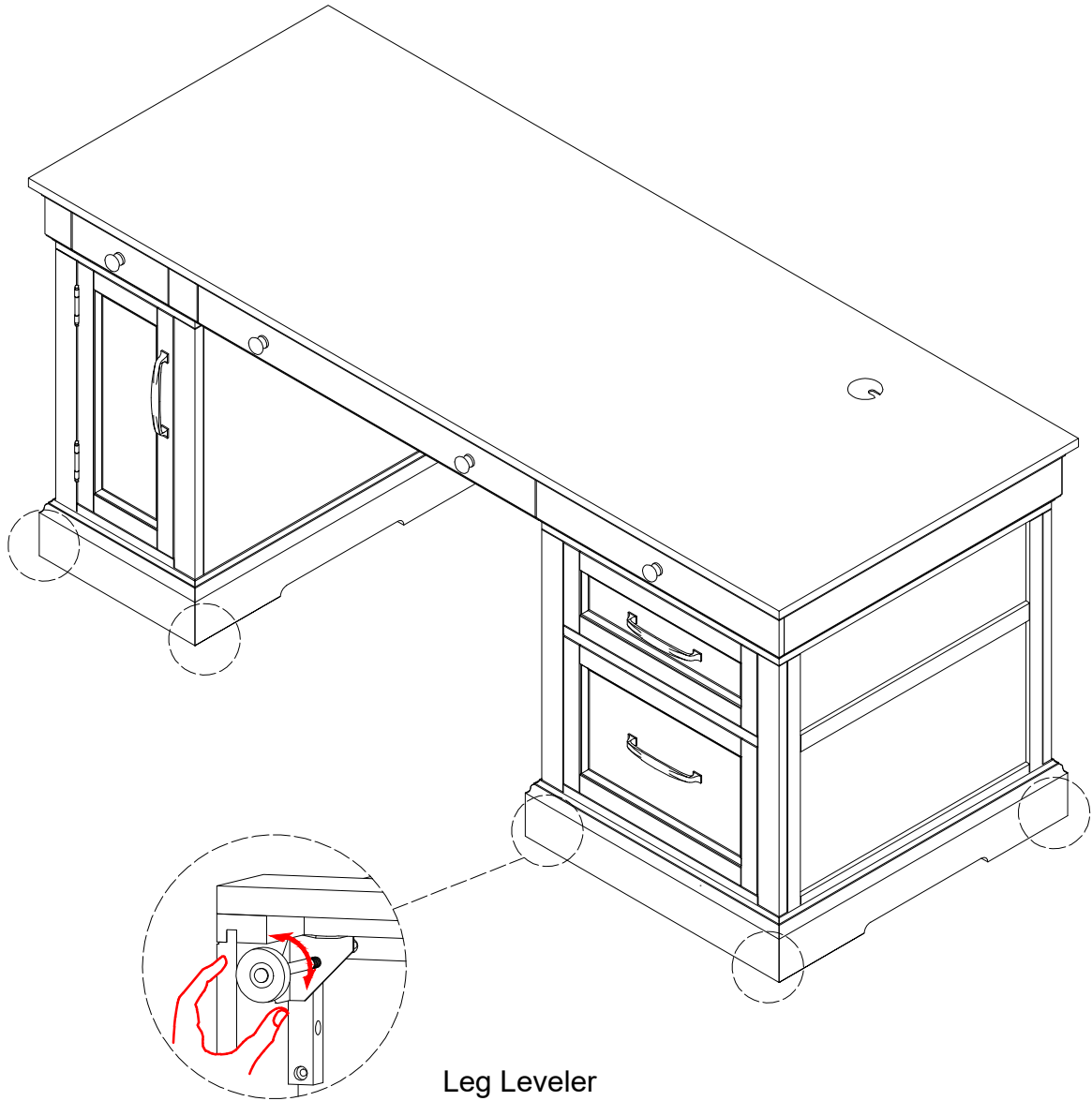
Parker House  
FURNITURE

# Assembly Instruction

Item NO. SH0#480/481/482-EFW

SH0#480/481/482-MDR

## Step 9:



Leg Leveler