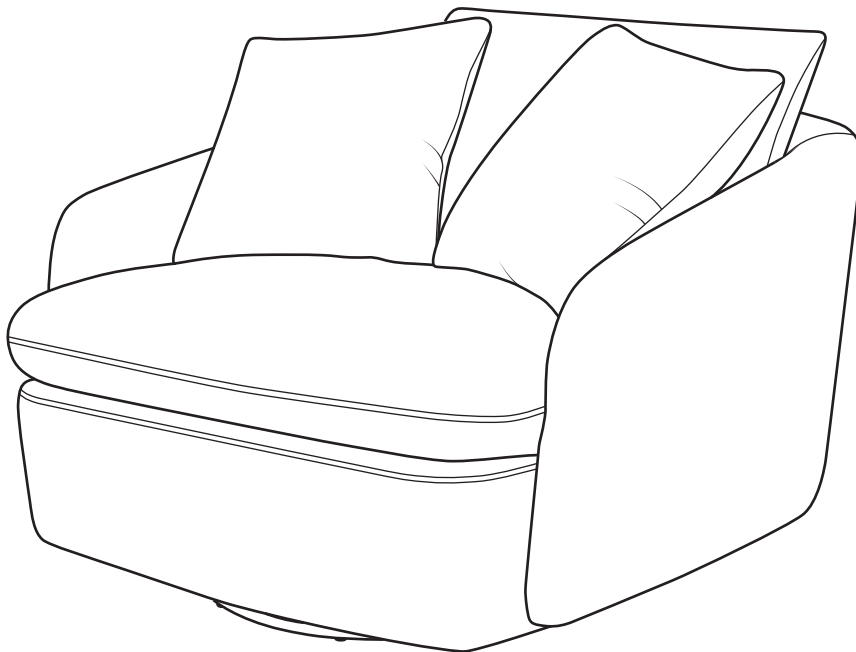




Parker Living®
A Division of Parker House

ASSEMBLY INSTRUCTIONS

Boomer Swivel Chair



Description : Boomer Swivel Chair

Dimension : 46(3/4)"W × 43(1/4)"D × 28"H

Caution: Please inspect all connections periodically and retighten them if loose.

BEFORE ASSEMBLY

Thank you for purchasing this quality product. This product has been designed for easy assembly and constructed for durability. Please take the time to read and follow the assembly instructions carefully.

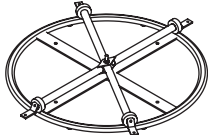
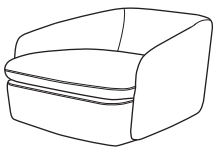

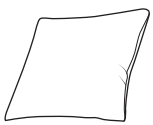

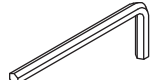
Be sure to check all packing material carefully for small parts which may have come loose inside the carton during shipment. Please separate, identify, and count all parts and metal hardware. Compare with part list to be sure all parts are present.

IMPORTANT NOTE:

- Unzip cushion seat bottom to remove parts carefully.
- Remove all wrapping material, including staples & packing straps before you start to assemble.
- DO NOT tighten all screws and bolts until completely assembled.
- Keep all hardware parts out of reach of children.

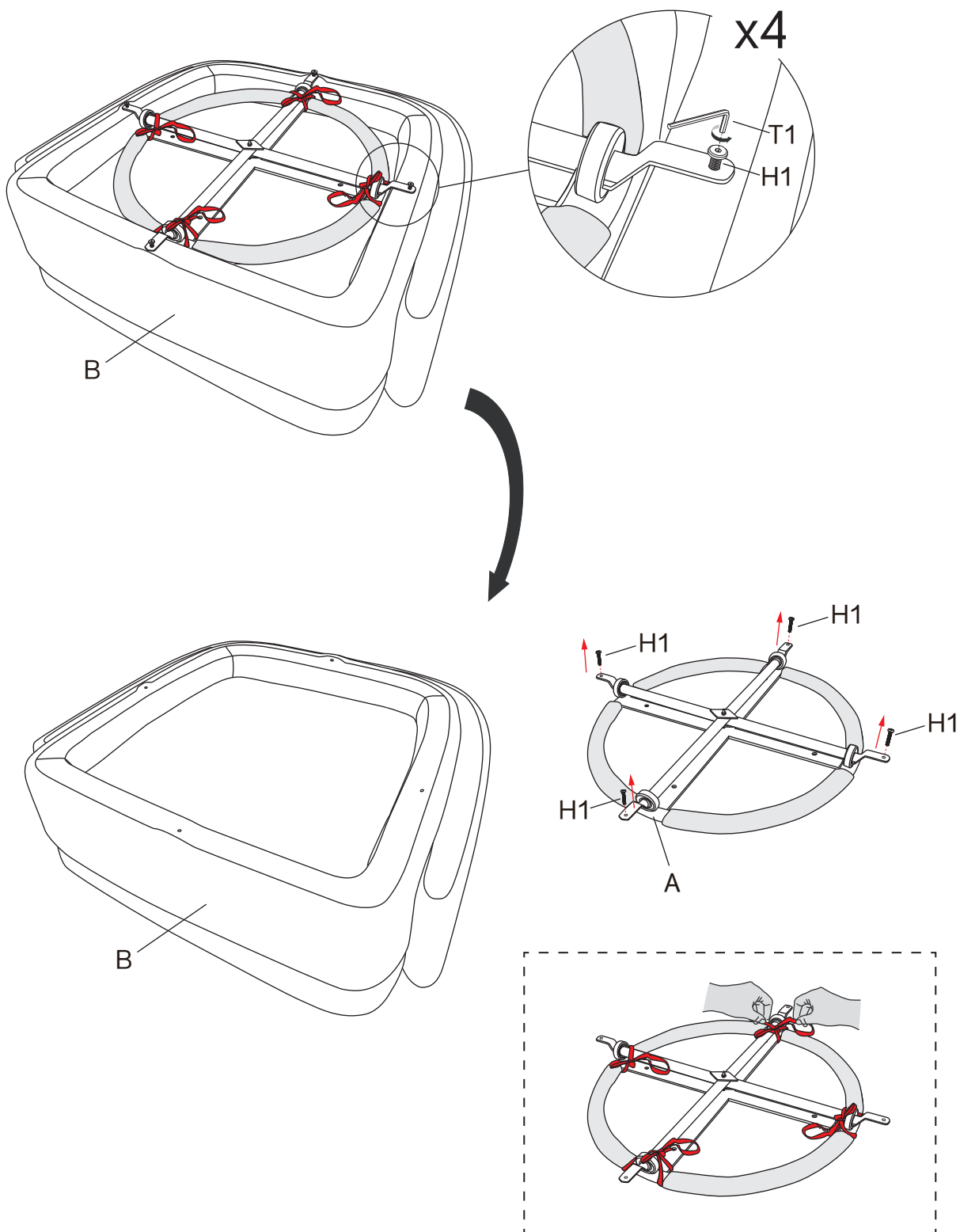
PART LIST

When unpacking, please be careful not to discard any parts with the packaging. Before continuing, please make sure you have the following parts:

Part	Description	Qty	Drawing
A	Swivel Base	1	
B	Chair	1	
C	Back Pillow	1	
D	Comfort Pillow	2	
H1	Bolt (M6x30mm)	4	 (Bolts are pre-installed in swivel base)
T1	Allen Wrench	1	

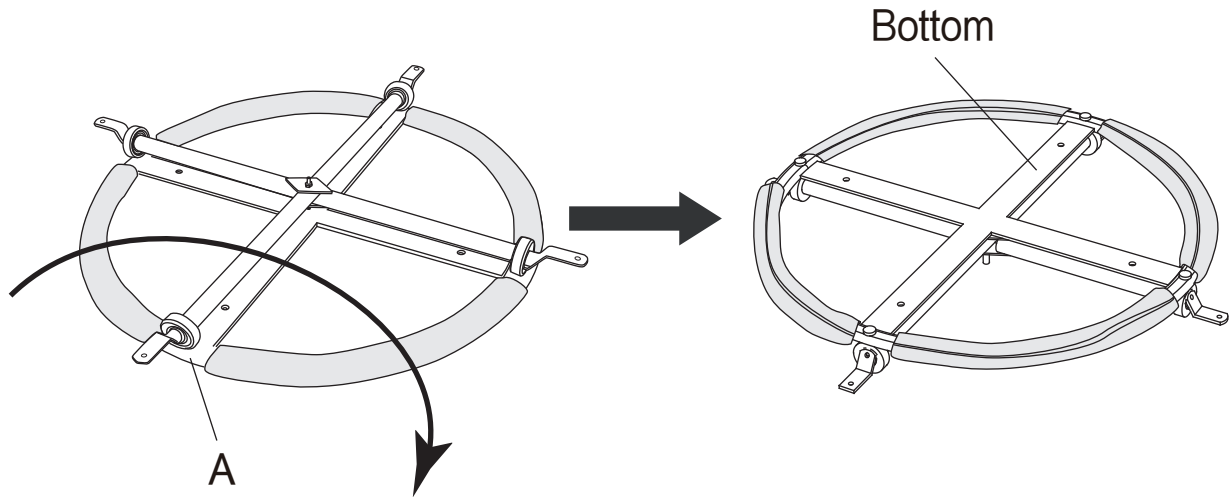
STEP 1

Please lay the Chair (B) on soft, clean surface to assemble.
Loosen the bolts (H1x4) and remove the Swivel Base (A) from the bottom of the chair.



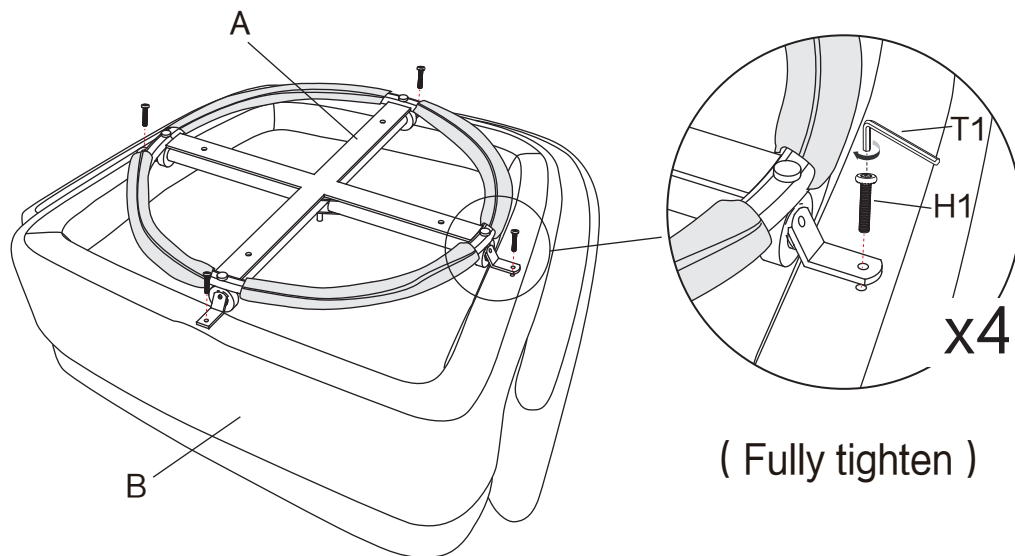
STEP 2

Flip the Swivel Base (A) to assemble.



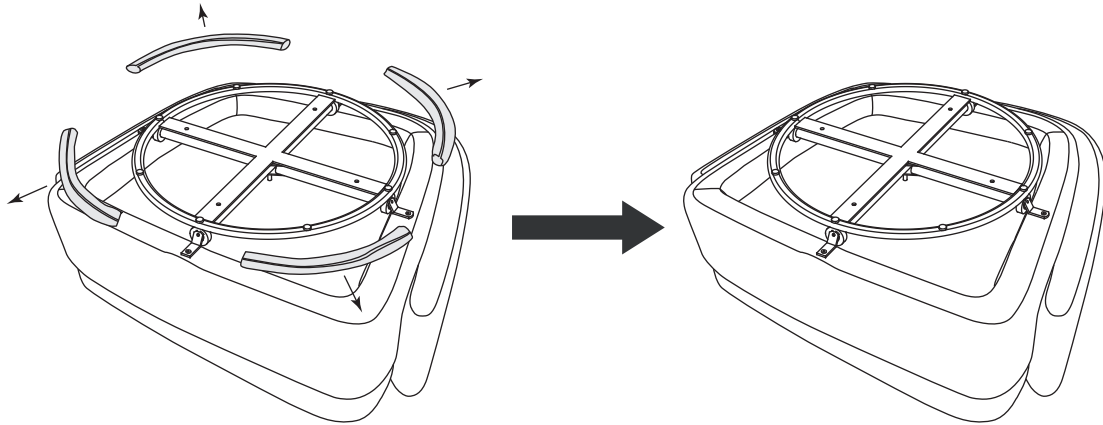
STEP 3

Attach the Swivel Base (A) to the bottom of the Chair (B) using the Bolts (H1x4).



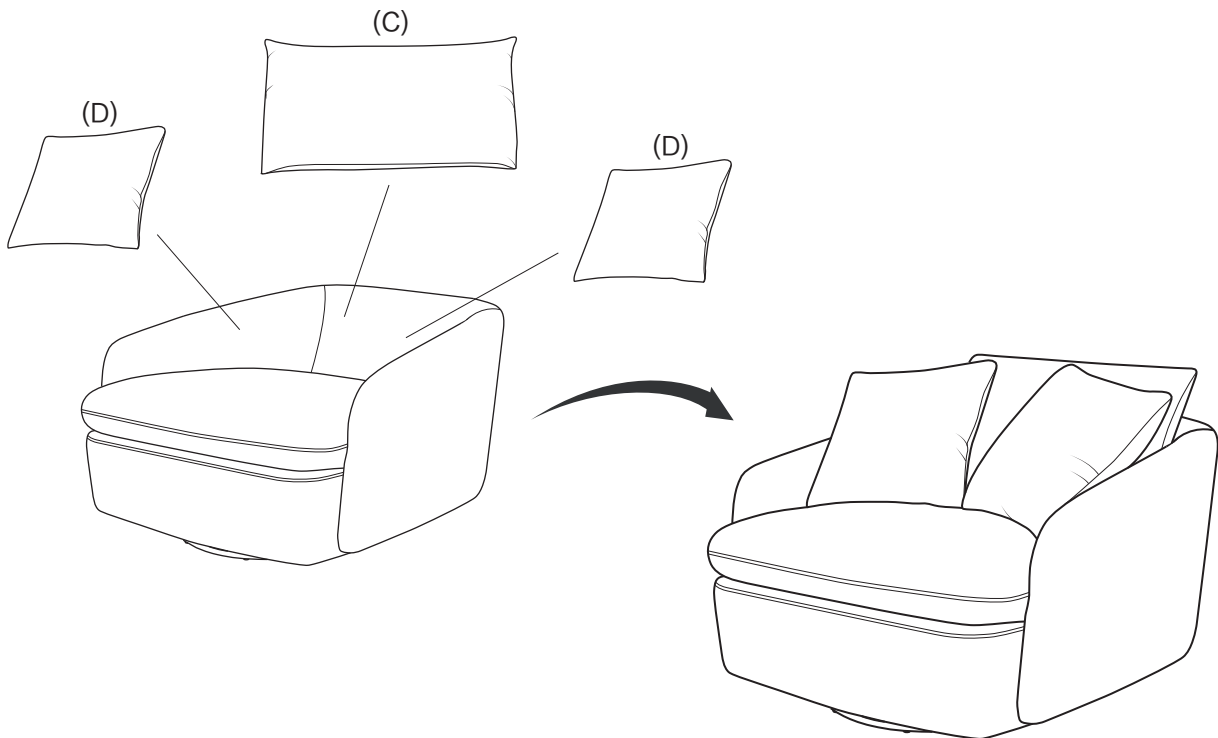
STEP 4

Please remove all packaging materials used for protecting the Swivel Base (A).



STEP 5

Place the pillows to complete assembly.



Feather cushions require fluffing to restore the feathers natural loft. Cushions containing feather should be vacuumed with an upholstery attachment to remove dust and fluffed as needed. Seat contains 2.2 Density Foam and 30% Feather, Back Cushion contains 30% Feather, Toss Pillow Contains 30% Feather and 70% Fiber.