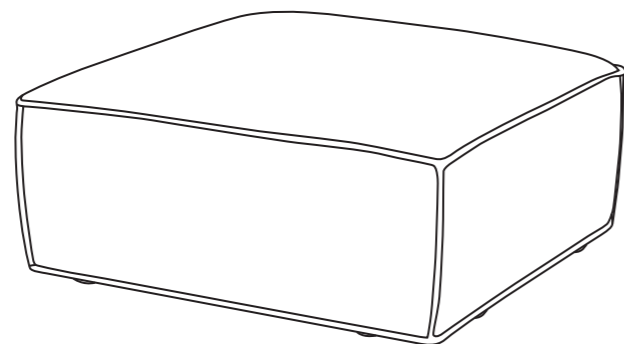


COMPLETED ASSEMBLY



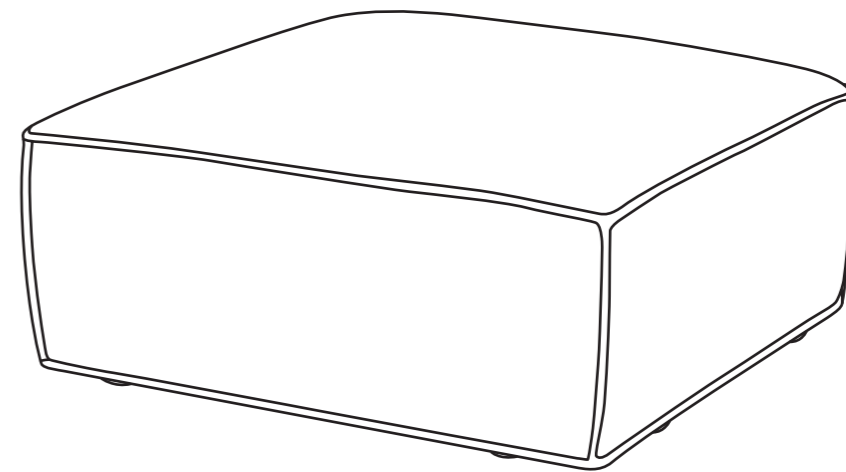
Congratulations! We hope you enjoy your purchase.



Parker Living
A Division of Parker House

ASSEMBLY INSTRUCTIONS

The Bump Ottoman



Description : Ottoman

Dimension : 33(3/4)"W x 33(3/4)"D x 19"H

Caution: Please inspect all connections periodically and retighten them if loose.

BEFORE ASSEMBLY

Thank you for purchasing this quality product. This product has been designed for easy assembly and constructed for durability. Please take the time to read and follow the assembly instructions carefully.

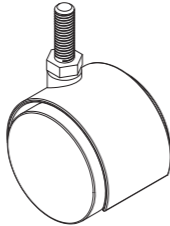

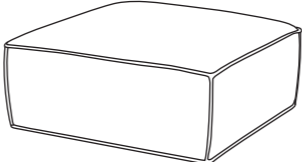
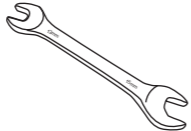
Be sure to check all packing material carefully for small parts which may have come loose inside the carton during shipment. Please separate, identify, and count all parts and metal hardware. Compare with part list to be sure all parts are present.

IMPORTANT NOTE:

- Unzip cushion seat bottom to remove parts carefully.
- Remove all wrapping material, including staples & packing straps before you start to assemble.
- DO NOT tighten all screws and bolts until completely assembled.
- Keep all hardware parts out of reach of children.

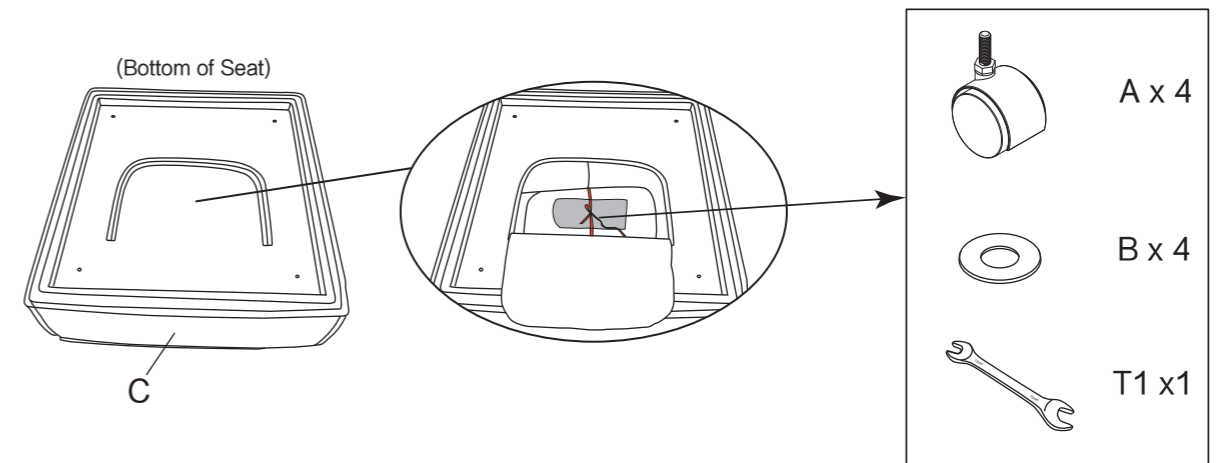
PART LIST

When unpacking, please be careful not to discard any parts with the packaging. Before continuing, please make sure you have the following parts:

Part	Description	Qty	Drawing
A	Caster	4	
B	Flat Washer	4	
C	Ottoman	1	
T1	Wrench	1	

STEP 1

Please lay the Ottoman (C) upside down on soft, clean surface to assemble.
Open the dust cover and remove the parts package.



STEP 2

Attach all Casters (Ax4) and Flat Washers (Bx4) to the bottom of the Ottoman (C), using Wrench (T1) to fully tighten in clockwise direction.

