

FreeMotion®

Motion Furniture...Unplugged

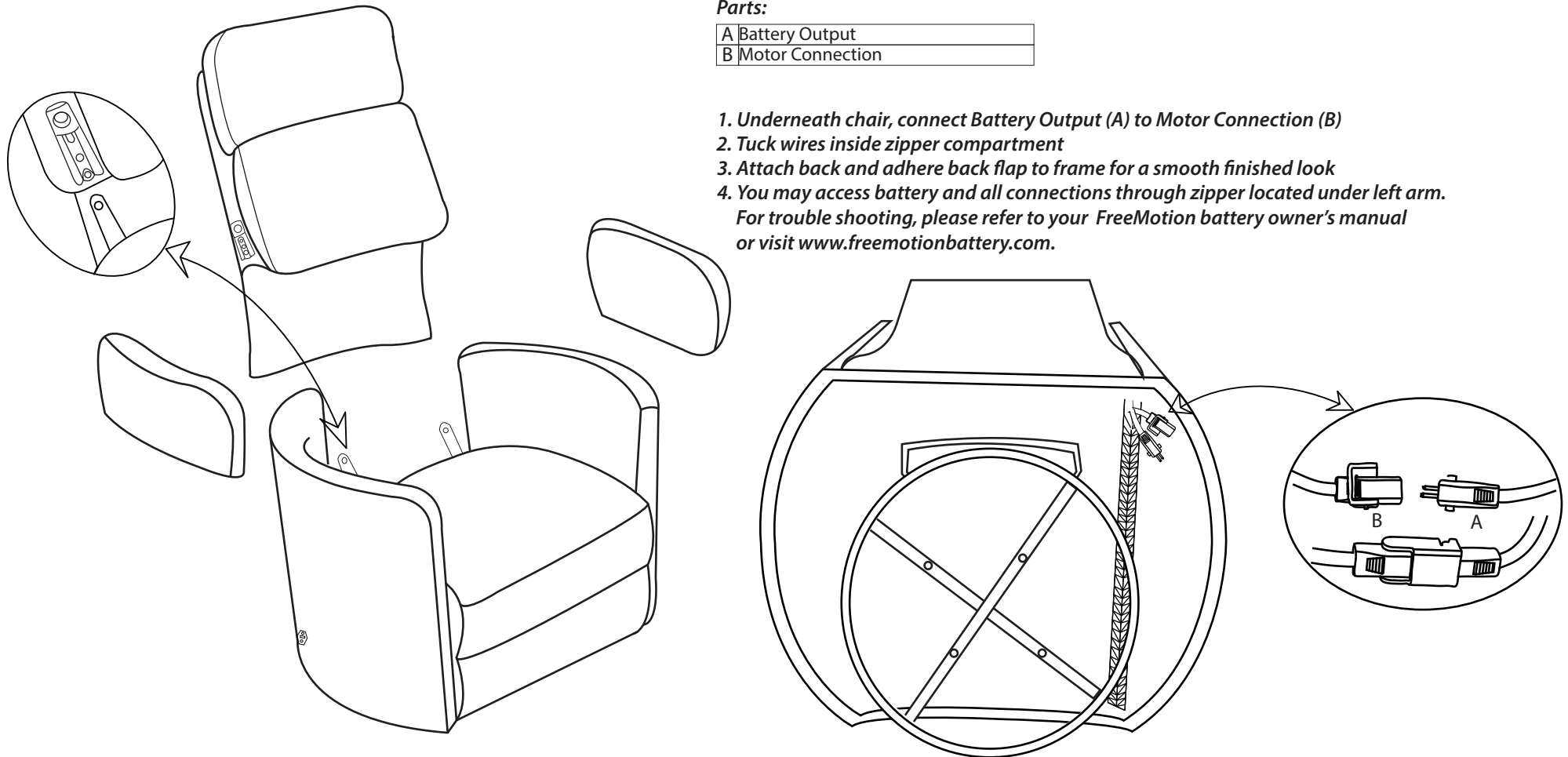


Assembly Instructions for Radius Recliner powered by FreeMotion

Parts:

| | |
|---|------------------|
| A | Battery Output |
| B | Motor Connection |

1. *Underneath chair, connect Battery Output (A) to Motor Connection (B)*
 2. *Tuck wires inside zipper compartment*
 3. *Attach back and adhere back flap to frame for a smooth finished look*
 4. *You may access battery and all connections through zipper located under left arm.*
- For trouble shooting, please refer to your FreeMotion battery owner's manual or visit www.freemotionbattery.com.*



For further information, including installation videos, please visit www.freemotionbattery.com

Parker Living
A Division of Parker House