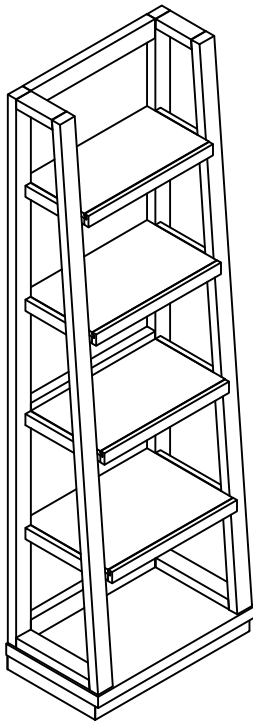


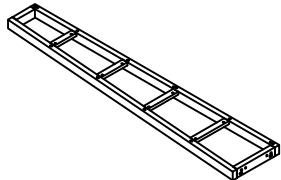
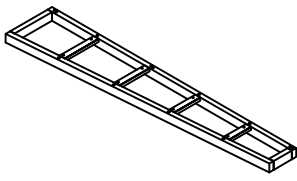
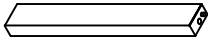
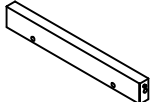
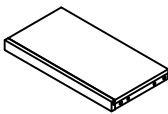
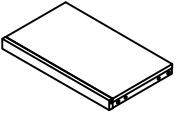
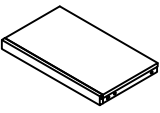
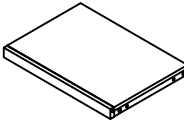
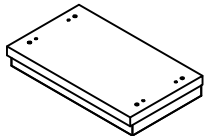
Assembly Instruction






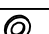
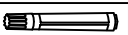

Item No : PUR#250AP

Description : PAIR OF ANGLED ETAGERE BOOKCASE PIERS



PARTS LIST :

①		
LEFT FRAME: 1PC		
②		
RIGHT FRAME : 1PC		
③		④
TOP/ BOTTOM - BACK HORIZONTAL BAR: 2PCS		
CENTER - BACK HORIZONTAL BAR: 1PC		
⑤		⑥
TOP PANEL: 1PC		
TOP SHELF: 1PC		
⑦		
MIDDLE SHELF: 1PC		
⑧		
BOTTOM SHELF: 1PC		
⑨		
BOTTOM FRAME: 1PC		

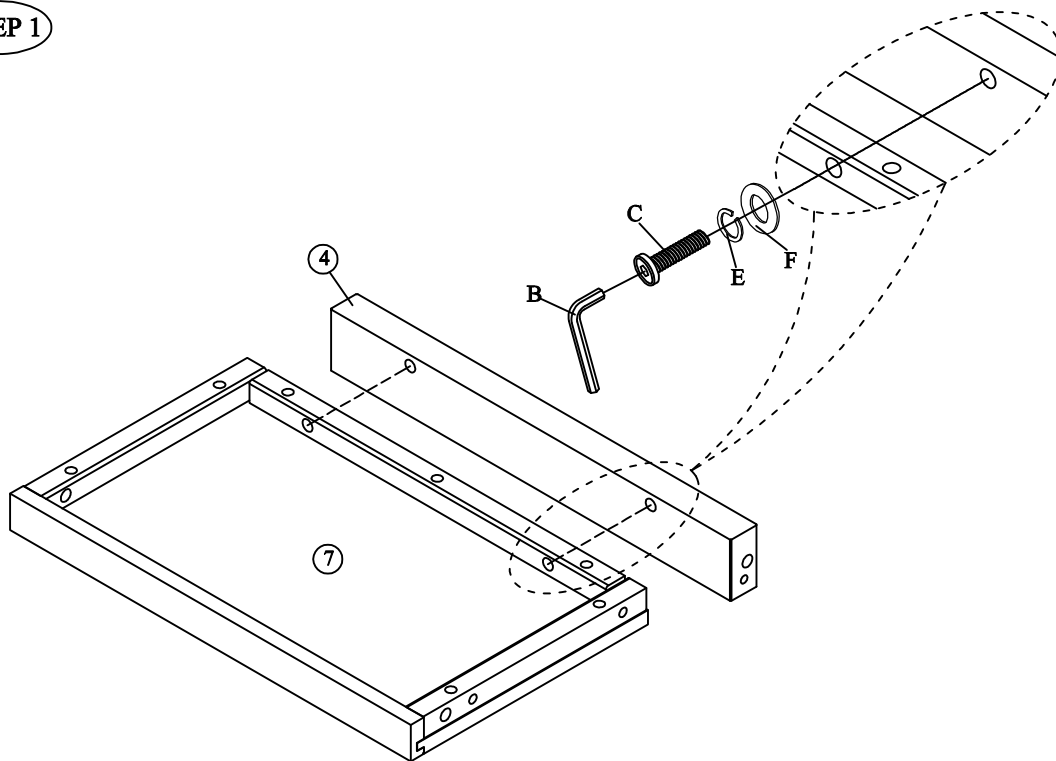
NO	Description	Sketch	QTY
A	Wall Strap		1
B	Allen Wrench 4mm		1
C	Allen Bolt Ø5/16"*44mm		22
D	Allen Bolt Ø5/16"*57mm		4
E	Lock Washer Ø5/16"*12mm		26
F	Flat Washer Ø5/16"*19mm		26
G	Touch up Pen		1
H	Allen Wrench 4mm for electric drill		1

Assembly Instruction

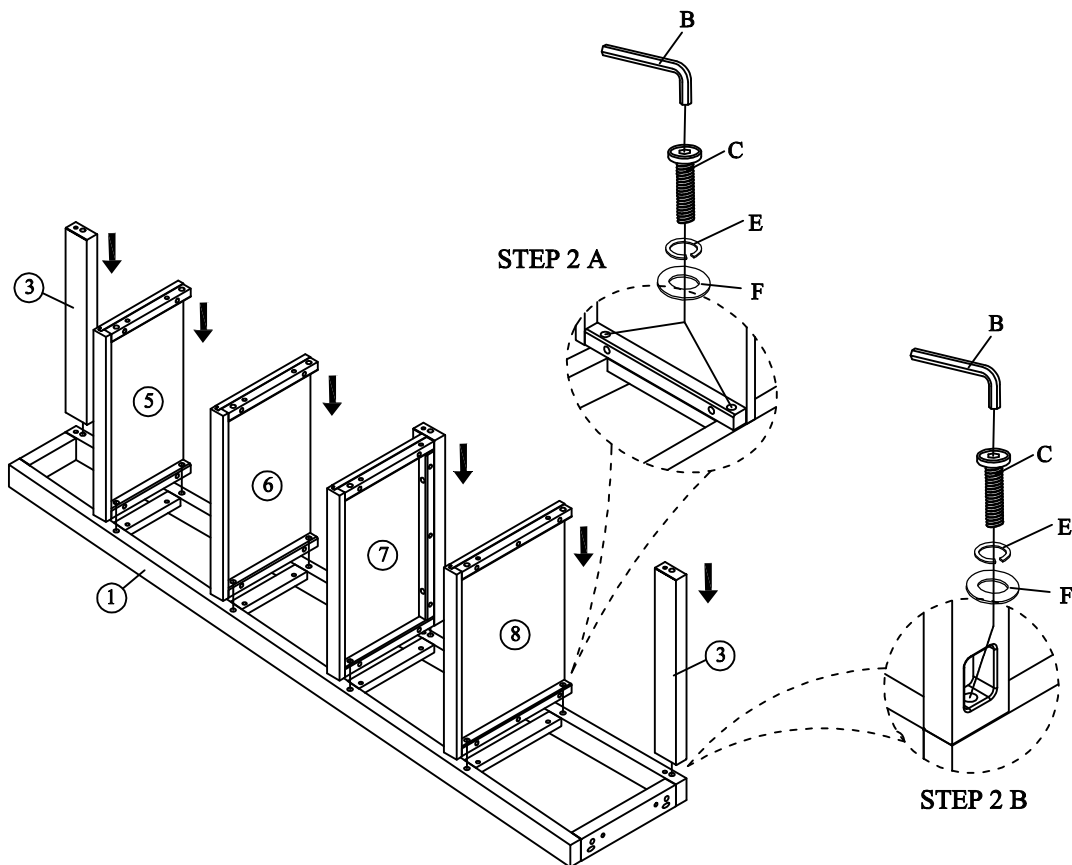
Item No : PUR#250AP

Description : PAIR OF ANGLED ETAGERE BOOKCASE PIERS

STEP 1



STEP 2

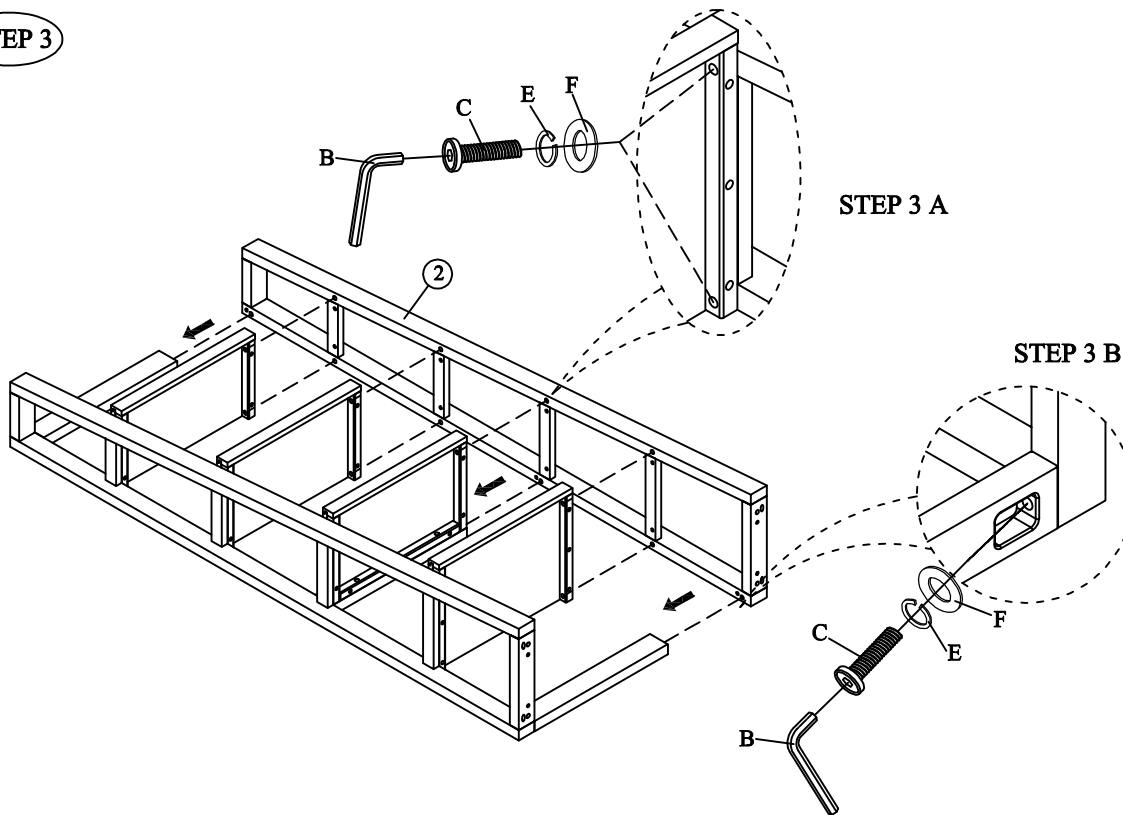


Assembly Instruction

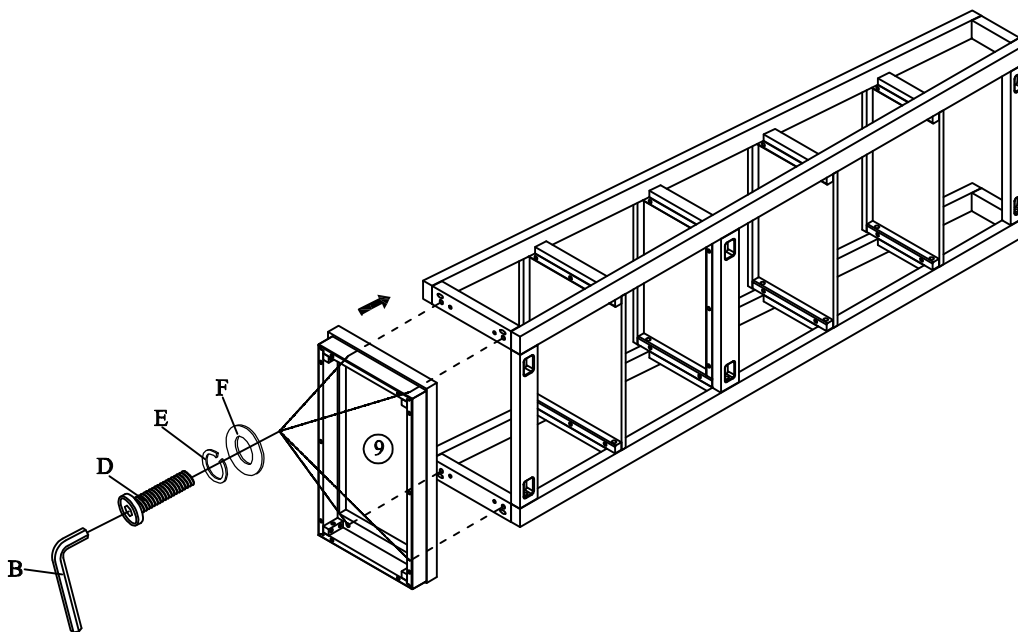
Item No : PUR#250AP

Description : PAIR OF ANGLED ETAGERE BOOKCASE PIERS

STEP 3



STEP 4

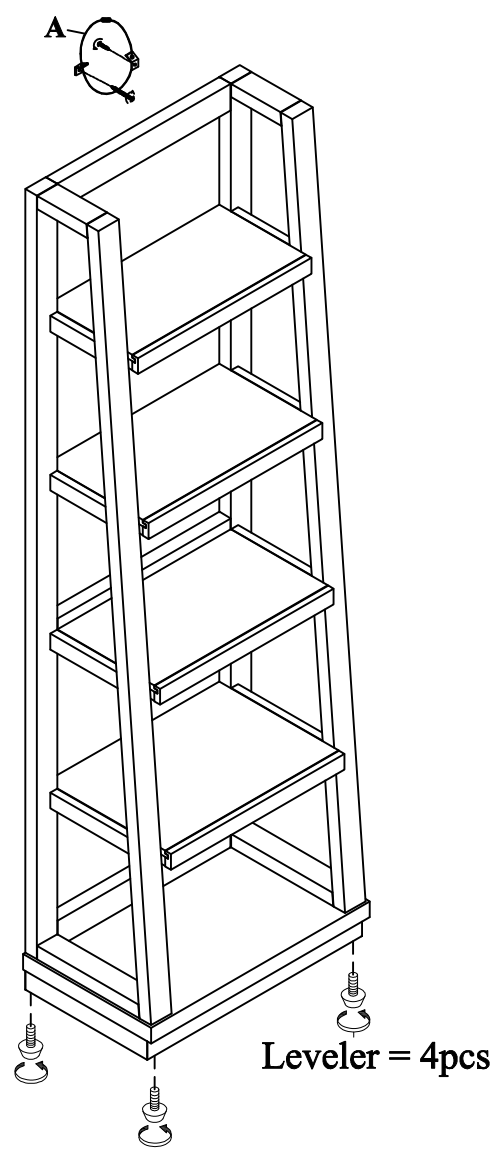


Assembly Instruction

Item No : PUR#250AP

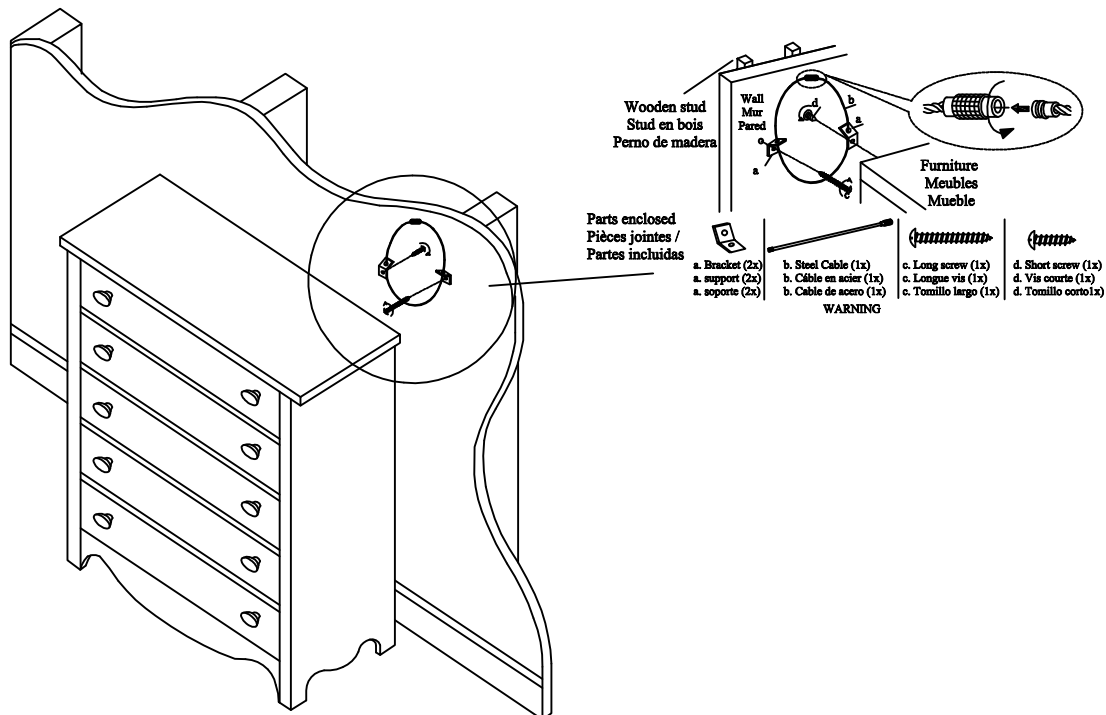
Description : PAIR OF ANGLED ETAGERE BOOKCASE PIERS

STEP 5



Anti-Tip Hardware Installation Instructions

Notice: In homes where small children may be present, Parker House. recommends that steps be taken for certain furniture items to prevent or minimize the risk of tip-over. This furniture is equipped with Tip-over Restraint Hardware for use to minimize this risk, if used. Please follow below installation steps. Parker House. recommends that parent and guardians periodically visit the U.S. Consumer Product Safety Commission (CPSC) website at <http://www.cpsc.gov/> and stay up to date on all issues related to children's product safety.



1. Temporarily locate the furniture to near it's final location in the room next to a wall. Locate a wall stud behind your furniture and also mark the stud's location on the back of your furniture.
2. Firmly attach one bracket to the stud approximately 2" below the top of the furniture with the **2 inch long** Wood Screws provided. It may be necessary to drill 3/32 dia. pilot holes for the screws.
3. Firmly attach the other bracket onto a solid, structural part on the back of furniture using the **5/8 inch long** Wood Screws. It may also be necessary to pilot bore for these screws.
4. Move the furniture into its final position, taking care to line up the wall bracket with the furniture bracket. Thread a strap through the bracket as shown in the illustration. Tighten strap until snug but do not over tighten.

Caution: Parker House. assumes no liability for improper installation or excessive loads placed on screws, brackets and straps. Failure to detach this restraint before moving furniture may result in personal injury and property damage.

Warning: This tip-over restraint is not to be a substitute for proper adults supervision. Do not allow children to climb on furniture. Items left on top of the TV and furniture, such as toy, remote controls and treats might tempt young children to climb. Push the TV as far back as possible from the front of its stand. Place electrical cords out of child's reach, and teach children not to play with the cords.