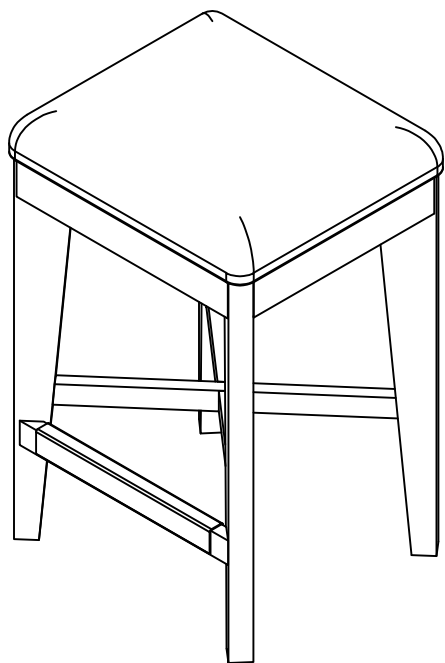


# Assembly Instruction

Item No : PUR#1026

Description : STOOL

## PARTS LIST :



①	②
SEAT FRAME: 1PC	STRETCHER - FRONT: 1PC
③	④
STRETCHER - SIDE: 1PC	STRETCHER - SIDE: 1PC #1
⑤	⑥
FRONT LEG: 2PCS ( L, R )	BACK LEG: 2PCS

Note: Remove legs from inner box.

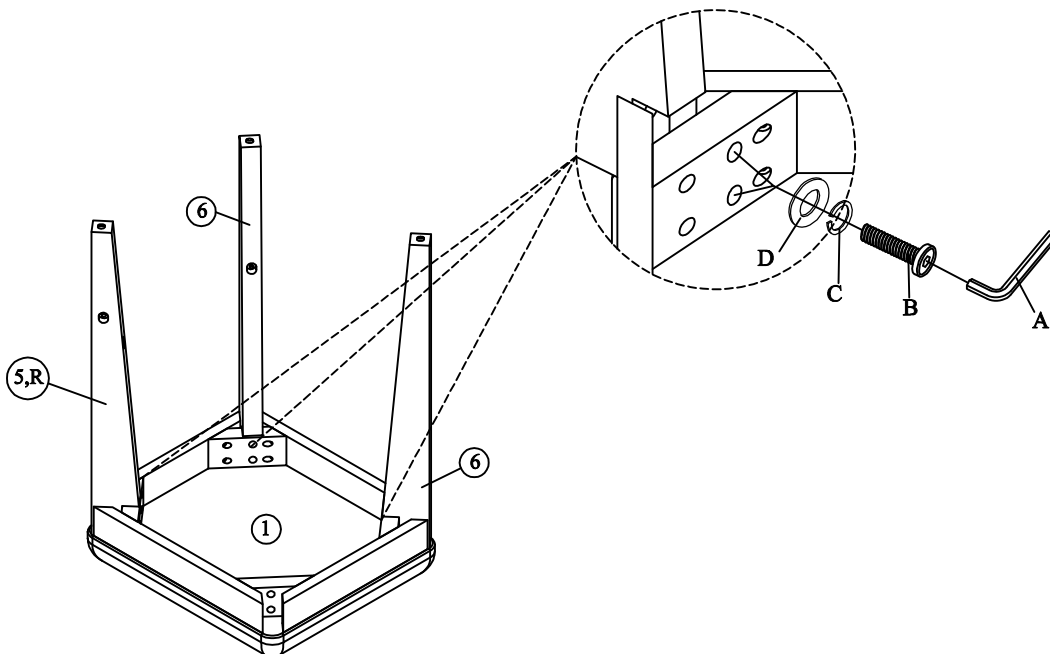
NO	Description	Sketch	QTY
A	Allen Wrench 4mm		1
B	Allen Bolt Ø5/16"*57mm		8
C	Lock Washer Ø5/16"*12mm		8
D	Flat Washer Ø5/16"*19mm		8
E	Wood Screw #8*38mm		6
F	Touch up Pen		1
G	Allen Wrench 4mm for electric drill		1

# Assembly Instruction

Item No : PUR#1026

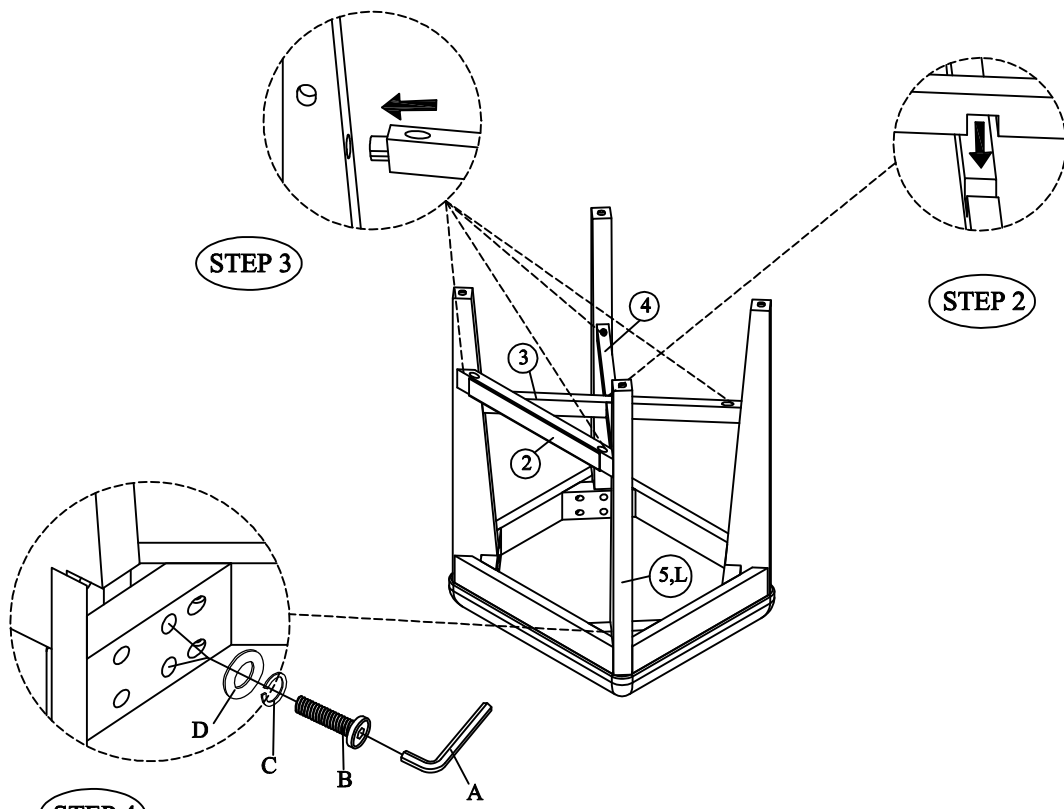
Description : STOOL

## STEP 1

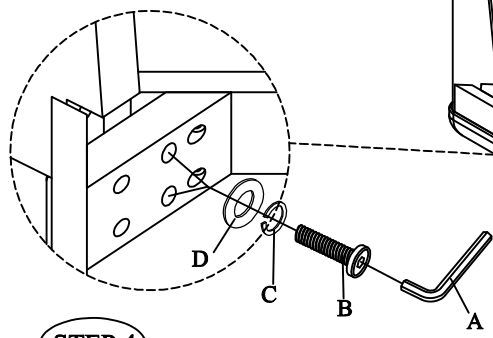


## STEP 3

## STEP 2



## STEP 4

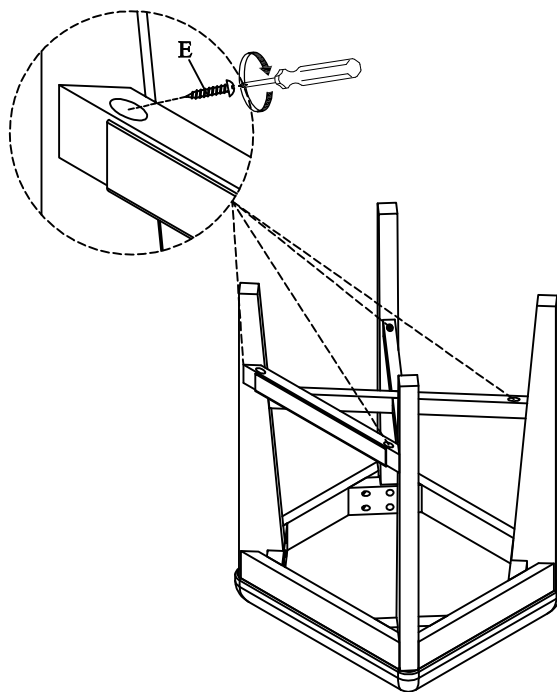


# Assembly Instruction

Item No : PUR#1026

Description : STOOL

**STEP 5**



**STEP 6**

