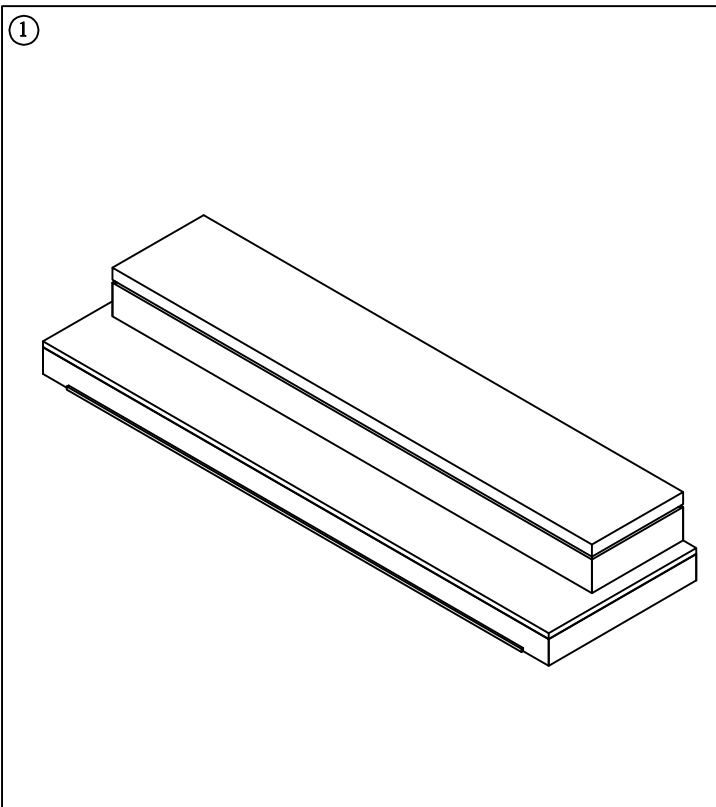
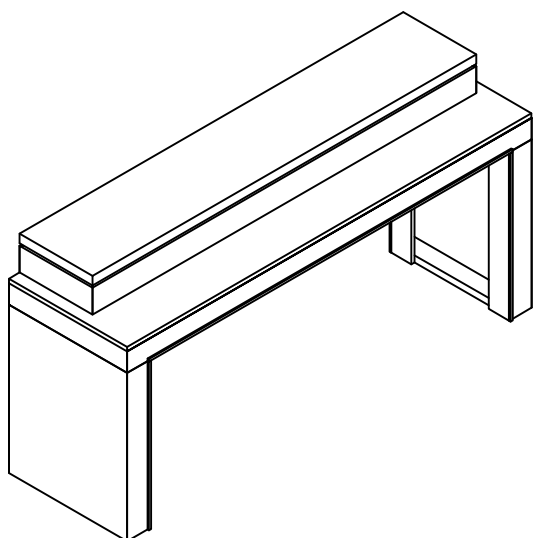


Assembly Instruction

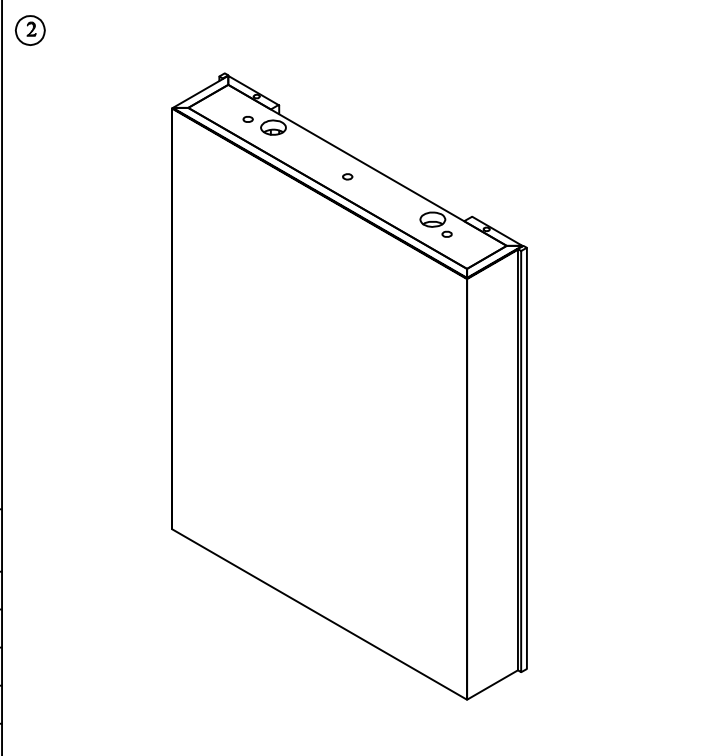
Item No : PUR#09

Description : EVERYWHERE CONSOLE

PARTS LIST :



TOP FRAME: 1PC



SIDE FRAME: 2PCS

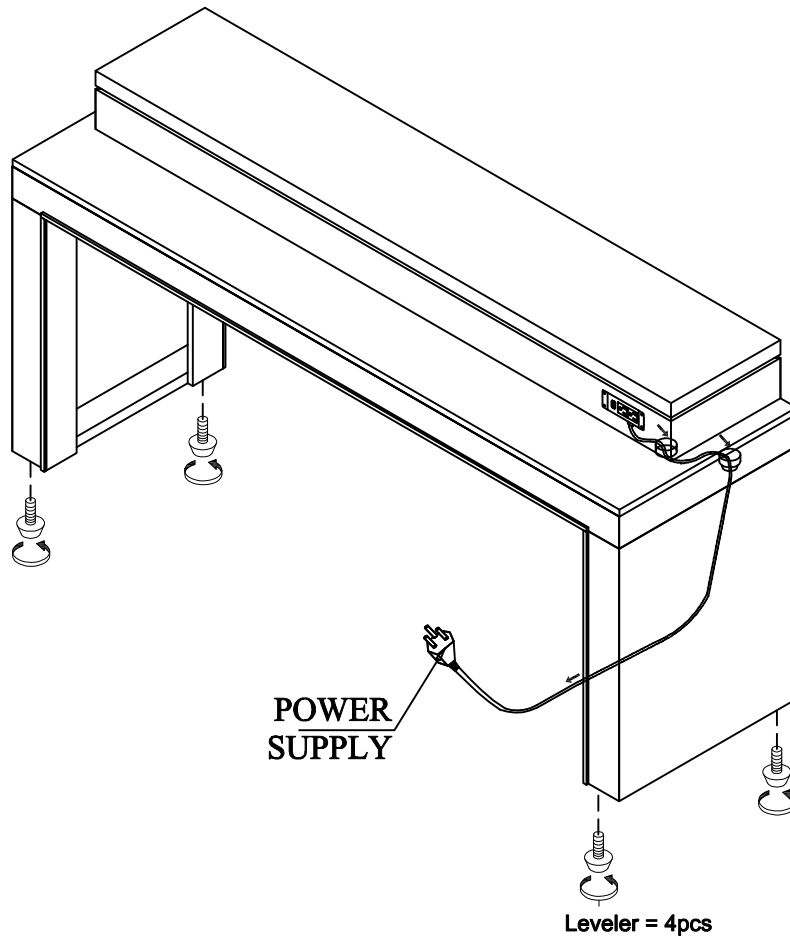
NO	Description	Sketch	QTY
A	Allen Wrench 4mm		1
B	Allen Bolt Ø5/16"*35mm		6
C	Lock Washer Ø5/16"*12mm		6
D	Flat Washer Ø5/16"*16mm		6
E	Touch up Pen		1
F	Allen Wrench 4mm for electric drill		1

Assembly Instruction

Item No : PUR#09

Description : EVERYWHERE CONSOLE

STEP 1



STEP 2

