



**Parker House**  
FURNITURE






# Assembly Instruction

Item No : PUR#09

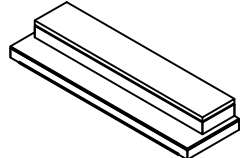
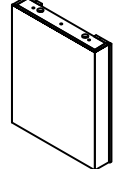
Description : EVERYWHERE CONSOLE

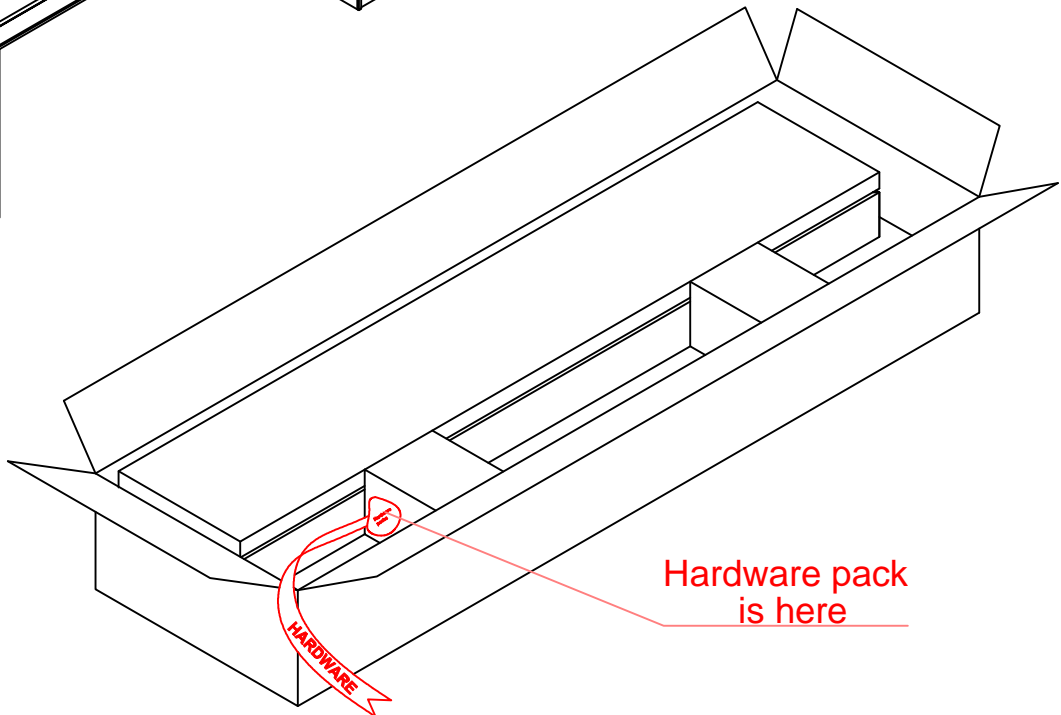
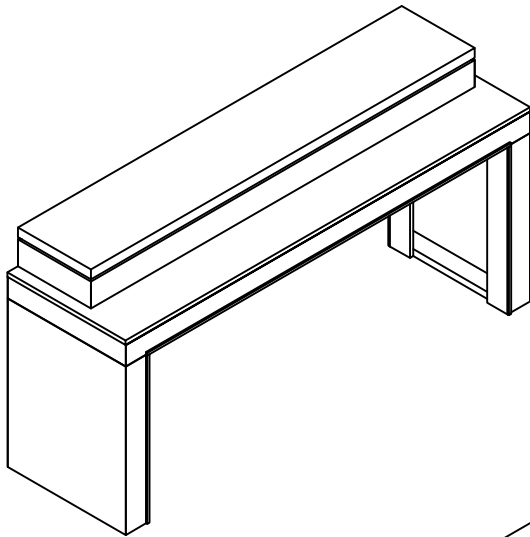
Rev 1 :2021-07-27

## HARDWARE LIST :

NO	Description	Sketch	QTY
A	Allen Wrench 4mm		1
B	Allen Bolt Ø5/16"*35mm		6
C	Lock Washer Ø5/16"*12mm		6
D	Flat Washer Ø5/16"*16mm		6
E	Allen Wrench 4mm for electric drill		1

## PARTS LIST :

TOP FRAME: 1PC	SIDE FRAME: 2PCS
① 	② 





Parker House  
FURNITURE

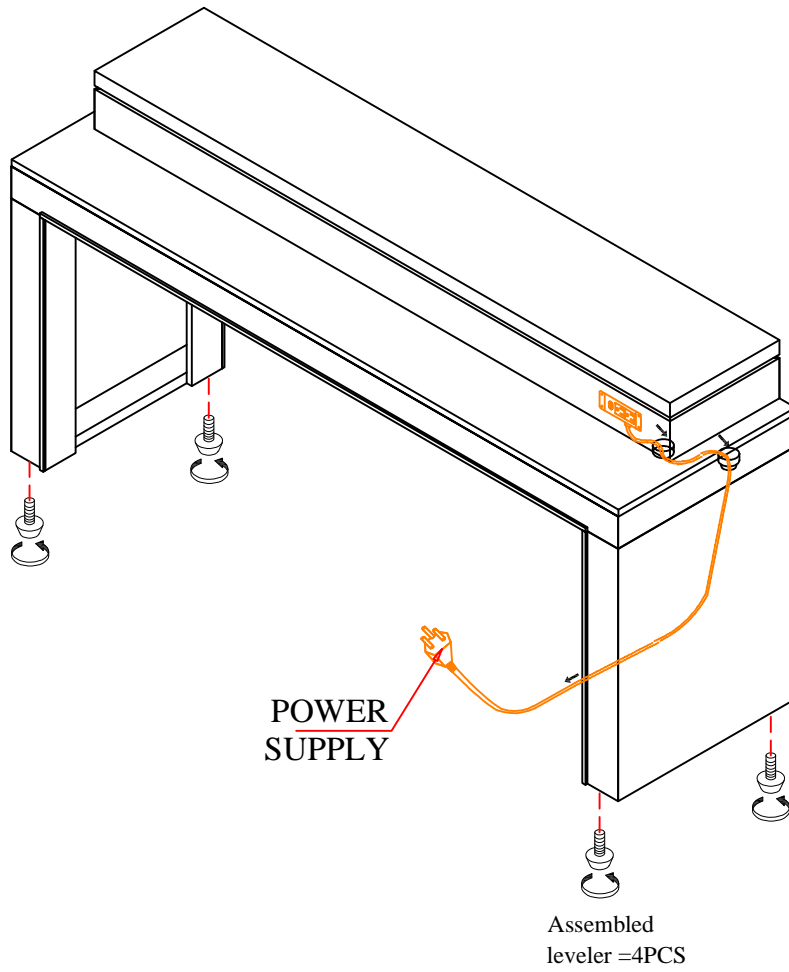
# Assembly Instruction

Item No : PUR#09

Description : EVERYWHERE CONSOLE

Rev 1 :2021-07-27

STEP 1



STEP 2

