



Parker House
FURNITURE

Assembly Instruction

Item No : PUR#02A
Description : END TABLE

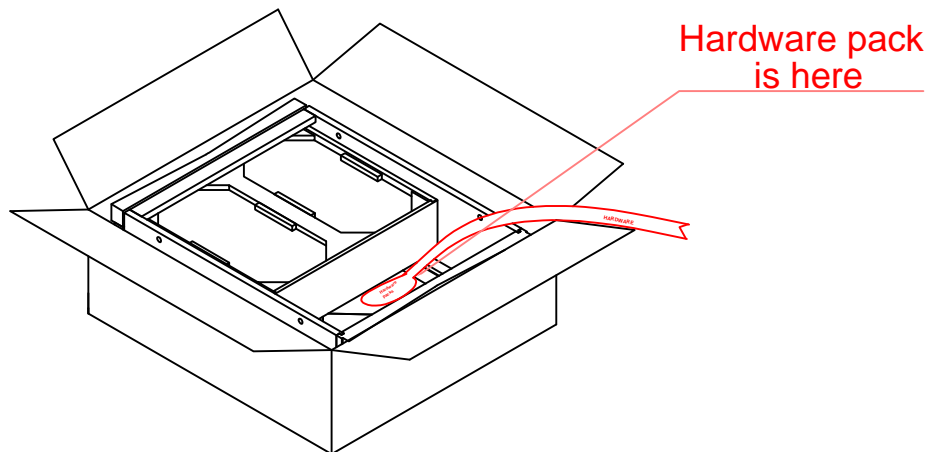
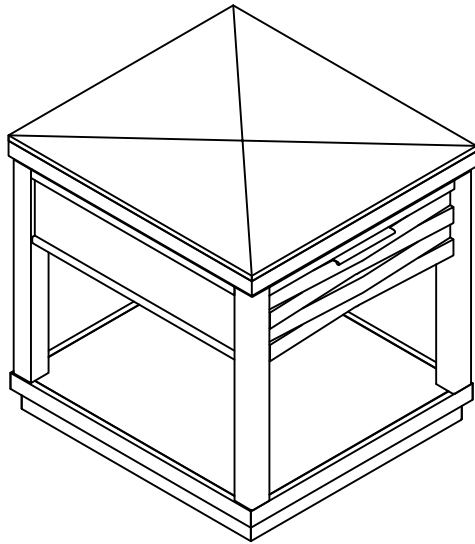
Rev 1 :2021-07-27

HARDWARE LIST :

NO	Description	Sketch	QTY
A	Allen Wrench 4mm		1
B	Allen Bolt Ø1/4"*38mm		12
C	Lock Washer Ø1/4"*10mm		12
D	Flat Washer Ø1/4"*19mm		12
E	Allen Wrench 4mm for electric drill		1
F	Dowel 8*30mm		4

PARTS LIST :

TOP FRAME: 1PC		SIDE FRAME: 2PCS	
①		②	
BOTTOM FRAME: 1PC			
③			



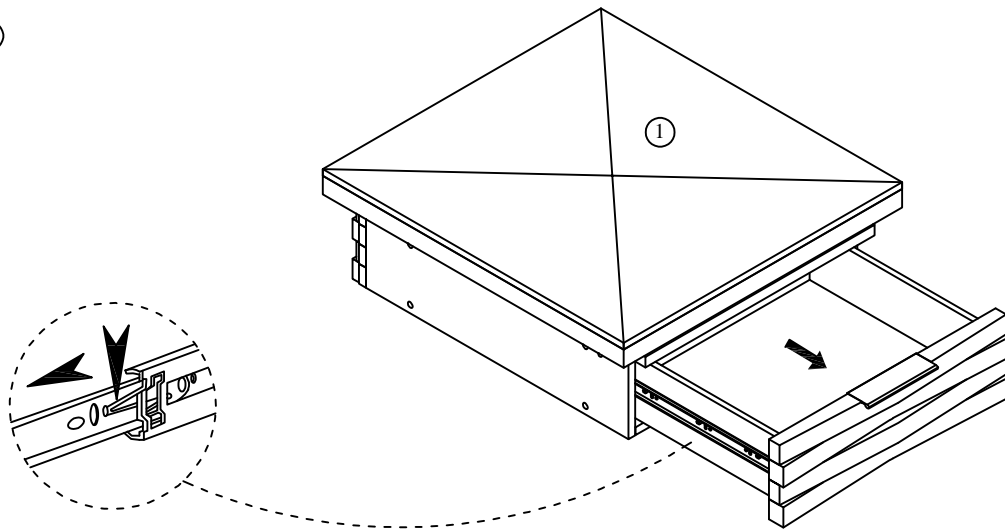
Assembly Instruction

Item No : PUR#02A

Description : END TABLE

Rev 1 :2021-07-27

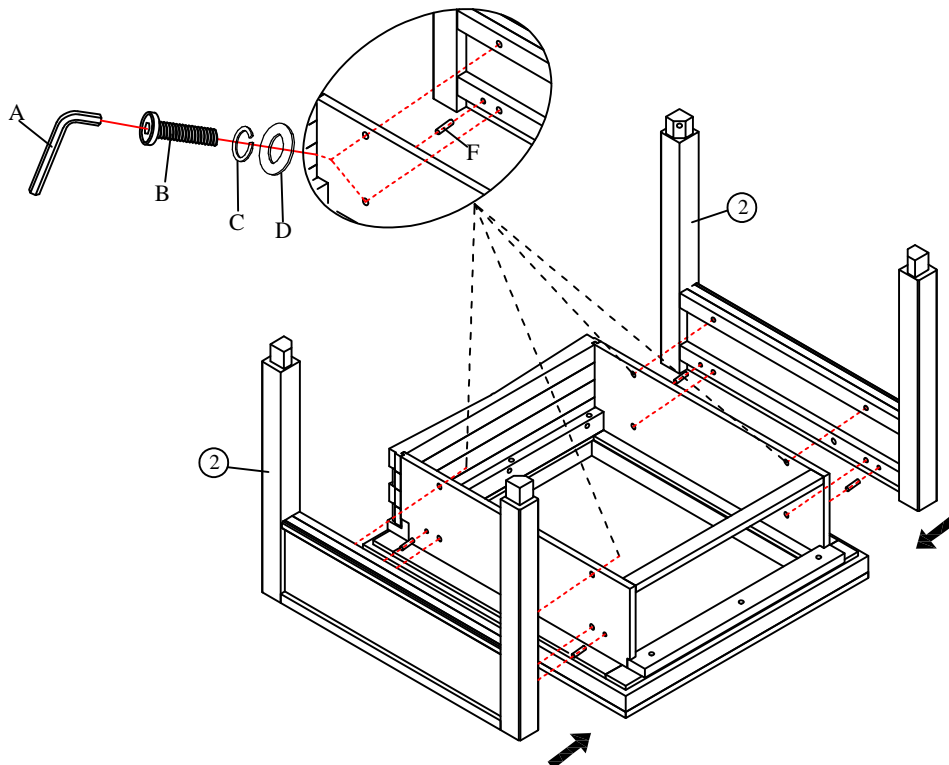
STEP 1



To remove the drawer:

- A. Pull the drawer fully open so the black lever is visible in the inside channel of the guides.
- B. Push 'down' on the right lever and 'up' on the left lever. While holding levers in place, pull drawer forward until slides release. If the slides will not release, push both levers in opposite directions.

STEP 2

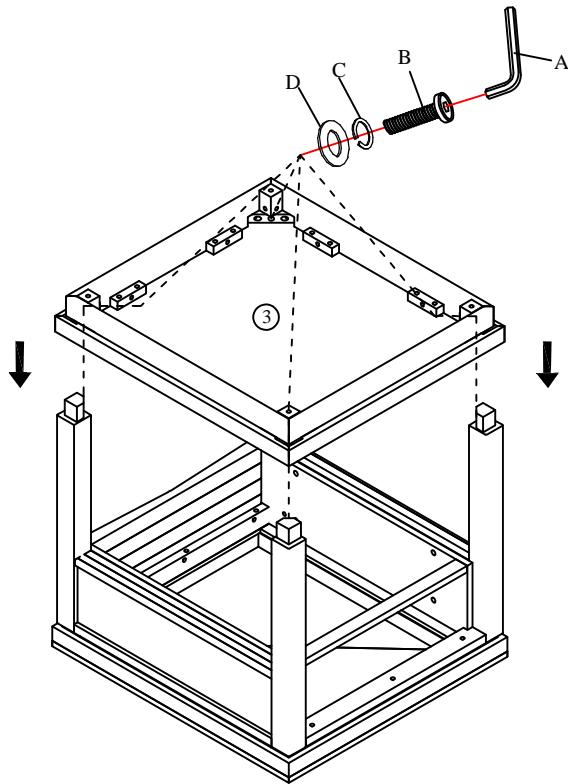


Assembly Instruction

Item No : PUR#02A
Description : END TABLE

Rev 1 :2021-07-27

STEP 3



STEP 4

