



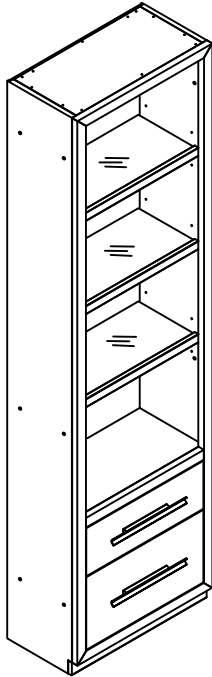
Parker House
FURNITURE

Assembly Instruction

Item No : PUR#420

Description : 24 IN. OPEN TOP BOOKCASE

PARTS LIST :

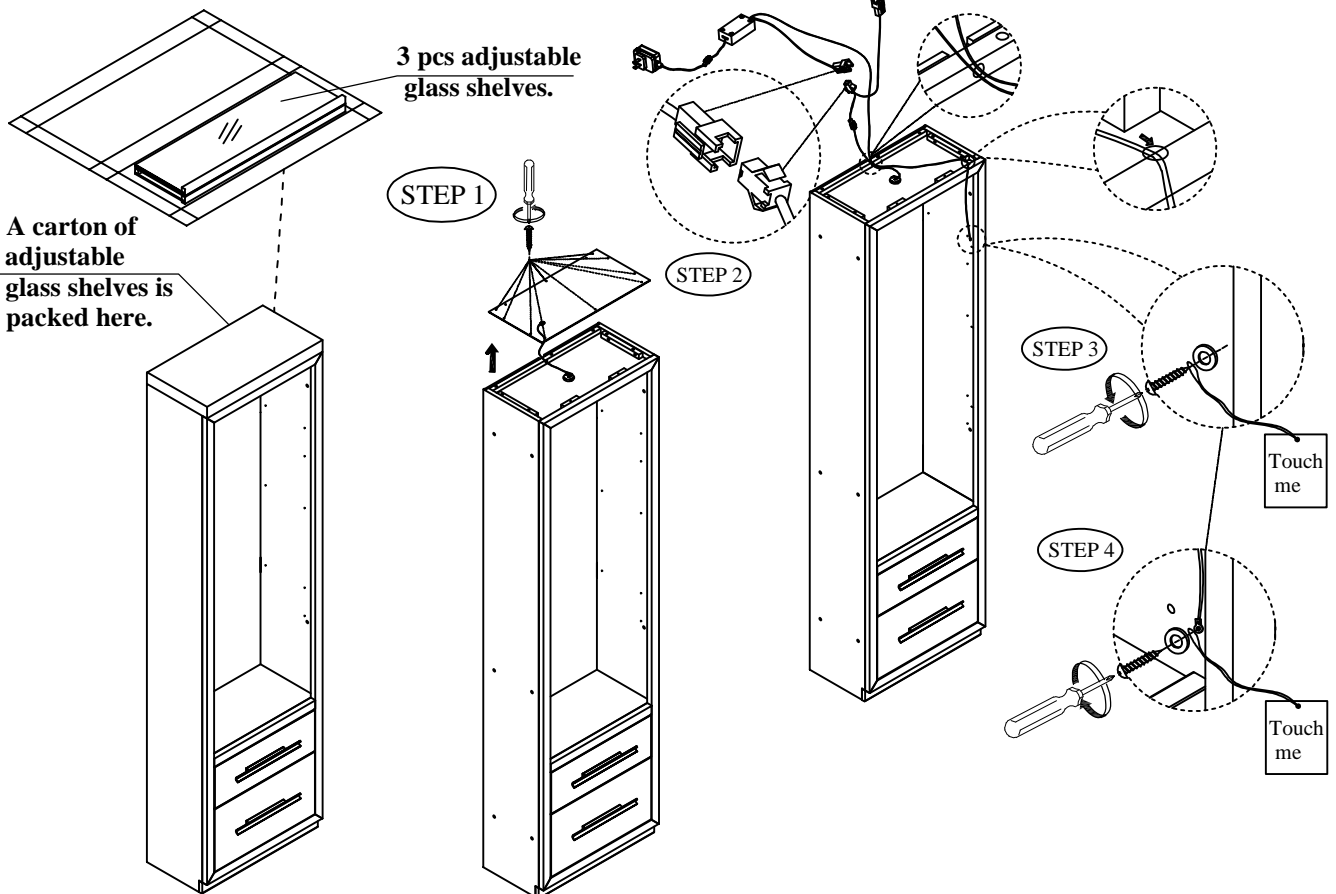


①		②	
24 IN OPEN TOP BOOKCASE		ADJUSTABLE GLASS: 3PCS	

HARDWARE LIST :

NO	Description	Sketch	QTY
A	Glass Support Pin		12
B	Wall Strap		2
C	Allen Wrench 4mm		1
D	Allen Bolt Ø5/16"*32mm		6
E	Hole Cover Ø5/16"*20mm		6
F	Allen Wrench 4mm for electric drill		1

If you need to add a touch wire, please refer to the installation instructions in step 1.
If you are just connecting the bookcase, please skip to step 9.

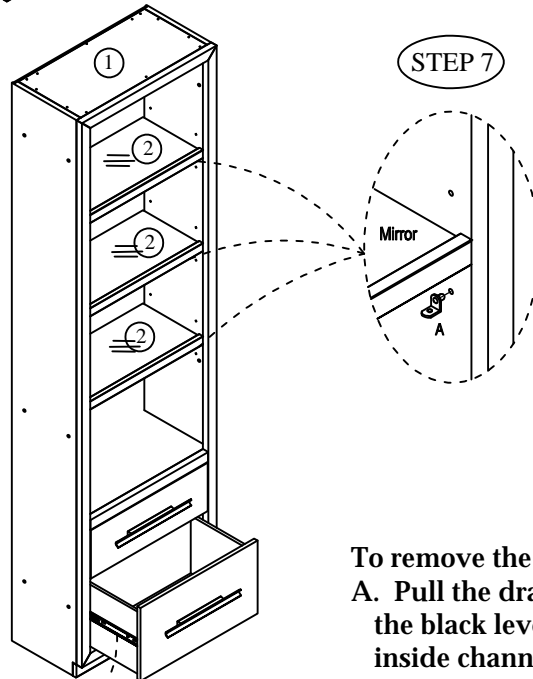
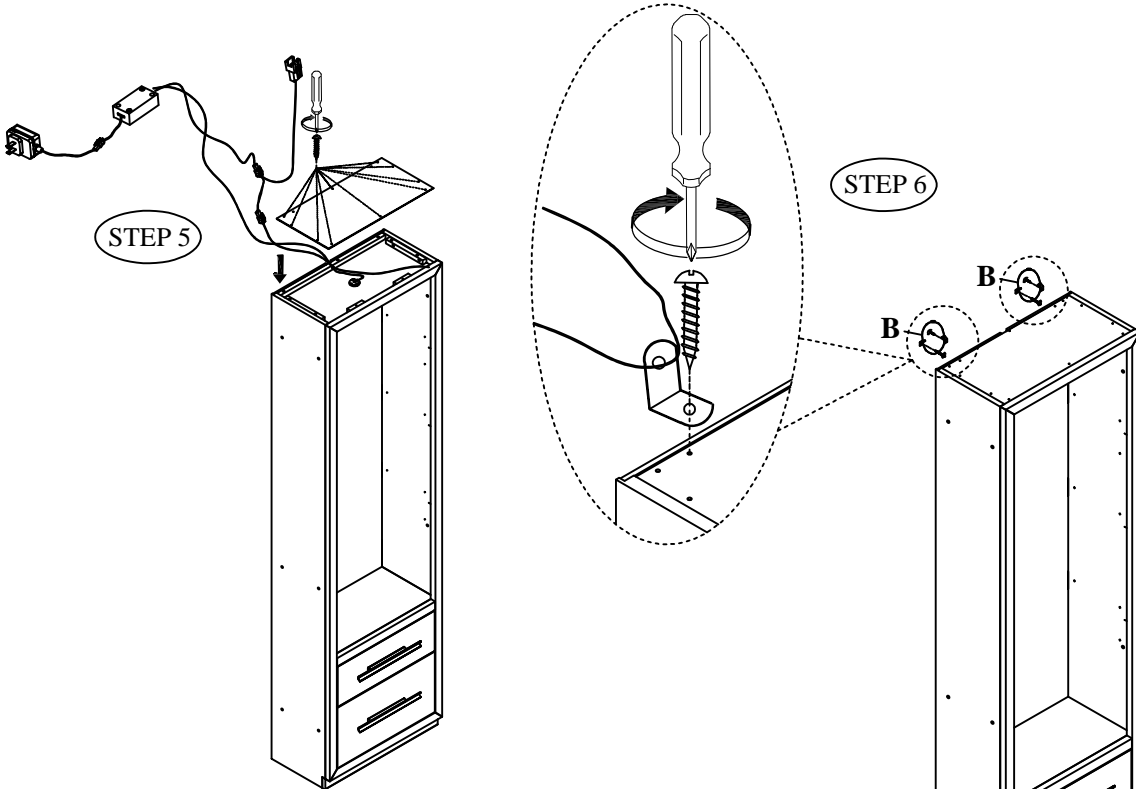




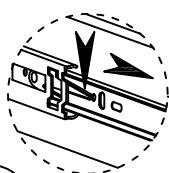
Parker House
FURNITURE

Assembly Instruction

Item No : PUR#420
Description : 24 IN. OPEN TOP BOOKCASE



Note: Remove glass shelf from inner box.



To remove the drawer:

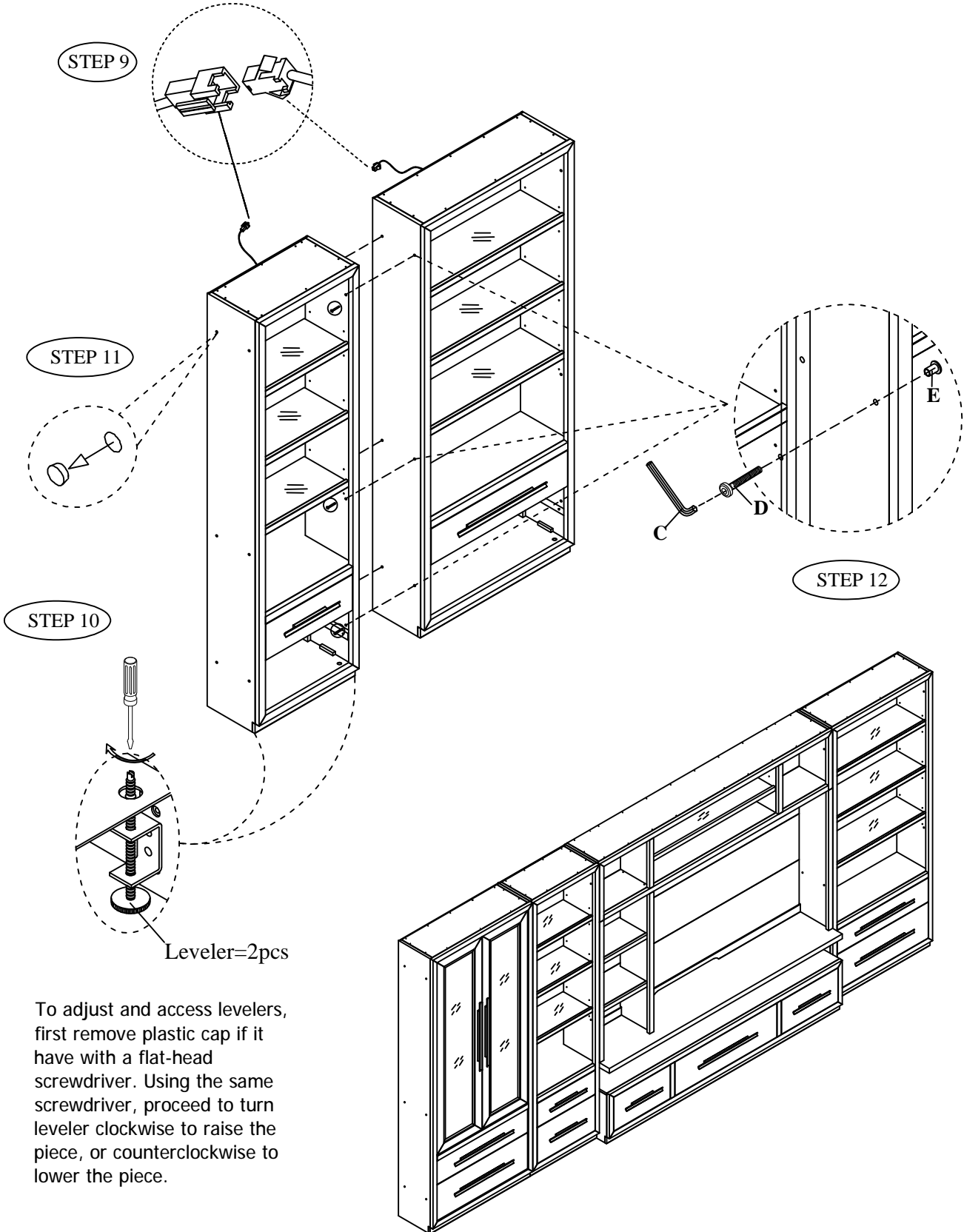
- A. Pull the drawer fully open so the black lever is visible in the inside channel of the guides.
- B. Push 'down' on the right lever and 'up' on the left lever. While holding levers in place, pull drawer forward until slides release. If the slides will not release, push both levers in opposite directions.



Parker House
FURNITURE

Assembly Instruction

Item No : PUR#420
Description : 24 IN. OPEN TOP BOOKCASE

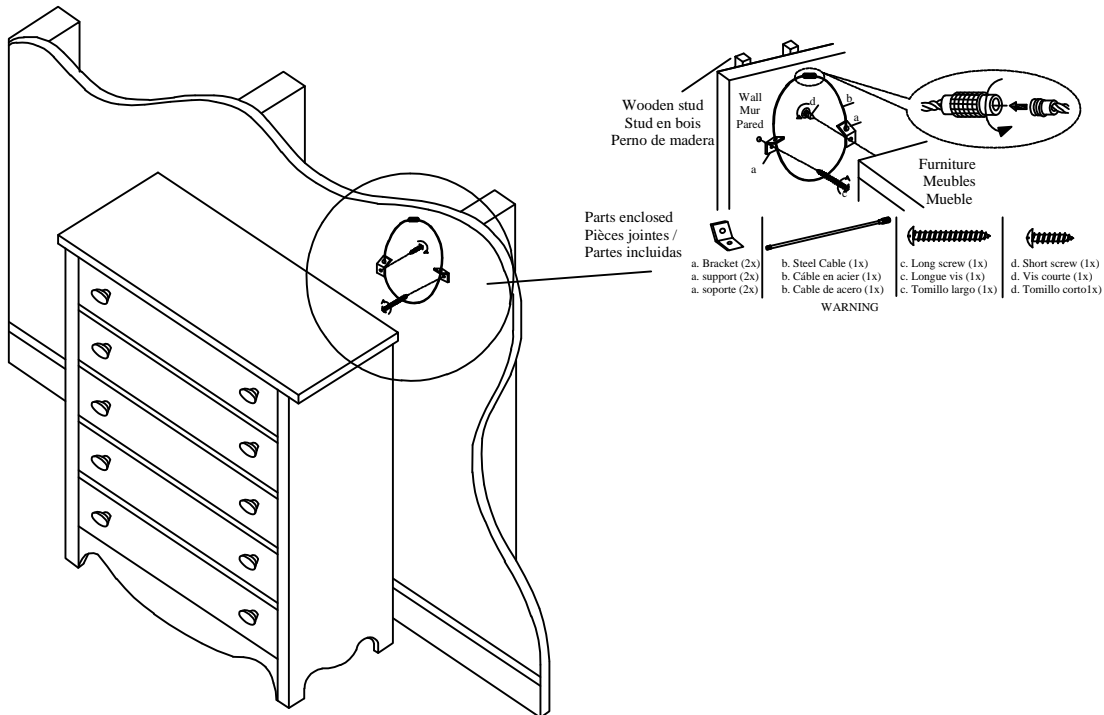




Parker House
FURNITURE

Anti-Tip Hardware Installation Instructions

Notice: In homes where small children may be present, Parker House. recommends that steps be taken for certain furniture items to prevent or minimize the risk of tip-over. This furniture is equipped with Tip-over Restraint Hardware for use to minimize this risk, if used. Please follow below installation steps. Parker House. recommends that parent and guardians periodically visit the U.S. Consumer Product Safety Commission (CPSC) website at <http://www.cpsc.gov/> and stay up to date on all issues related to children's product safety.



1. Temporarily locate the furniture to near it's final location in the room next to a wall. Locate a wall stud behind your furniture and also mark the stud's location on the back of your furniture.
2. Firmly attach one bracket to the stud approximately 2" below the top of the furniture with the **2 inch long** Wood Screws provided. It may be necessary to drill 3/32 dia. pilot holes for the screws.
3. Firmly attach the other bracket onto a solid, structural part on the back of furniture using the **5/8 inch long** Wood Screws. It may also be necessary to pilot bore for these screws.
4. Move the furniture into its final position, taking care to line up the wall bracket with the furniture bracket. Thread a strap through the bracket as shown in the illustration. Tighten strap until snug but do not over tighten.

Caution: Parker House. assumes no liability for improper installation or excessive loads placed on screws, brackets and straps. Failure to detach this restraint before moving furniture may result in personal injury and property damage.

Warning: This tip-over restraint is not to be a substitute for proper adults supervision. Do not allow children to climb on furniture. Items left on top of the TV and furniture, such as toy, remote controls and treats might tempt young children to climb. Push the TV as far back as possible from the front of its stand. Place electrical cords out of child's reach, and teach children not to play with the cords.