



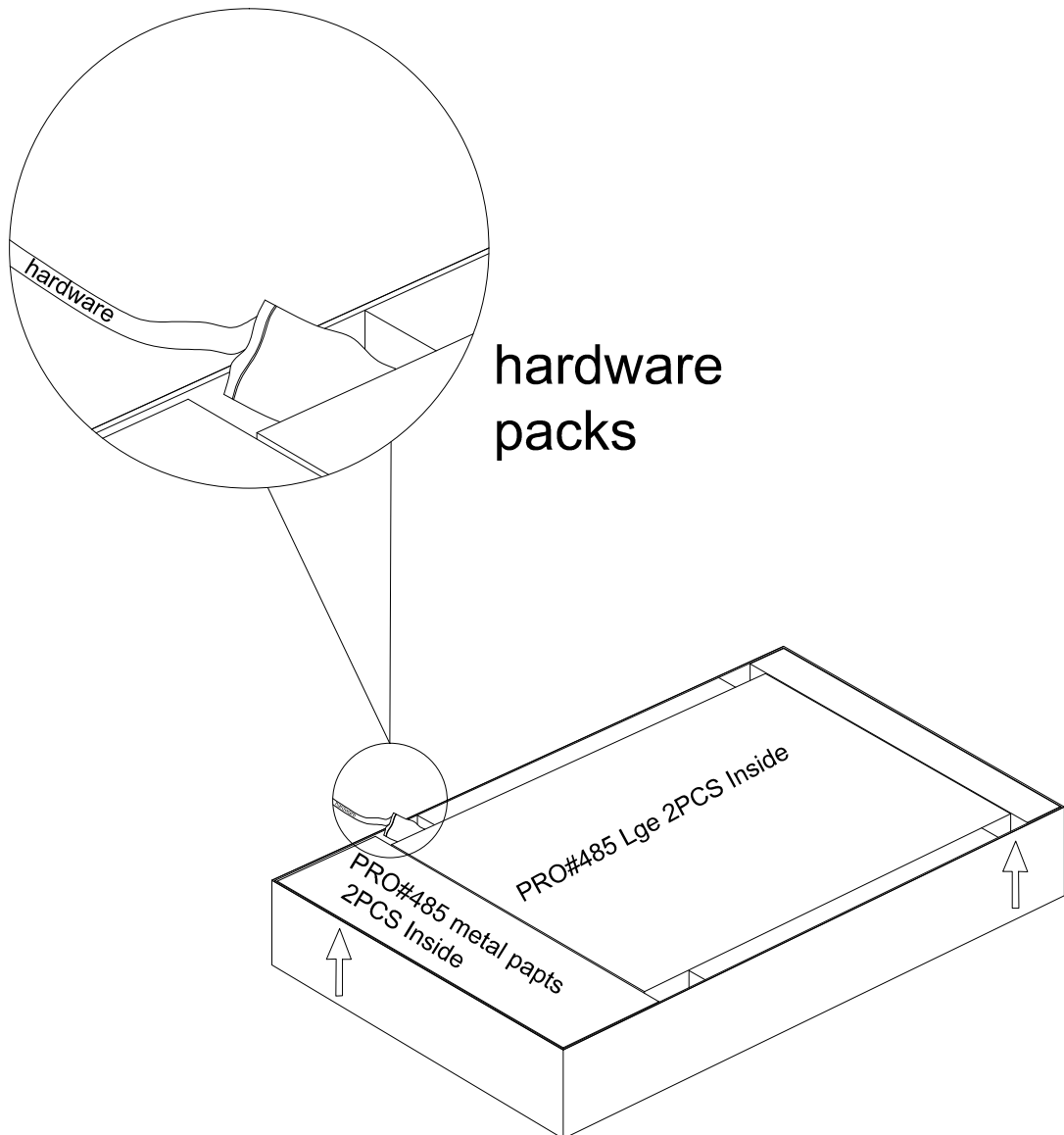
Parker House
FURNITURE

Assembly Instruction

Item NO:PRO#485
Description:WRITING DESK PH 326B

211108

Components and Hardware package location diagram





Parker House
FURNITURE

Assembly Instruction

Item NO:PRO#485
Description:WRITING DESK PH 326B

211108

NO	Description	Sketch	QTY	G			
A	Allen Wrench 5mm		1		Wire buckle		2
B	Bolt Ø5/16**1-1/2"		2	H	Screw M6*3/8"		2
C	Bolt Ø5/16**1-1/4"		8				
D	Bolt Ø5/16**7/8"		4				
E	Flat Washer Ø5/16**19mm		14				
F	Lock Washer Ø5/16"		14				

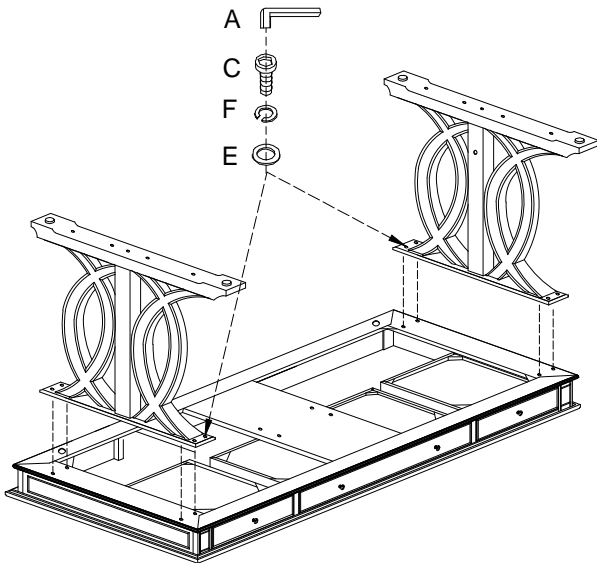
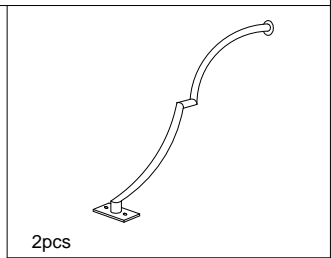


Diagram 1

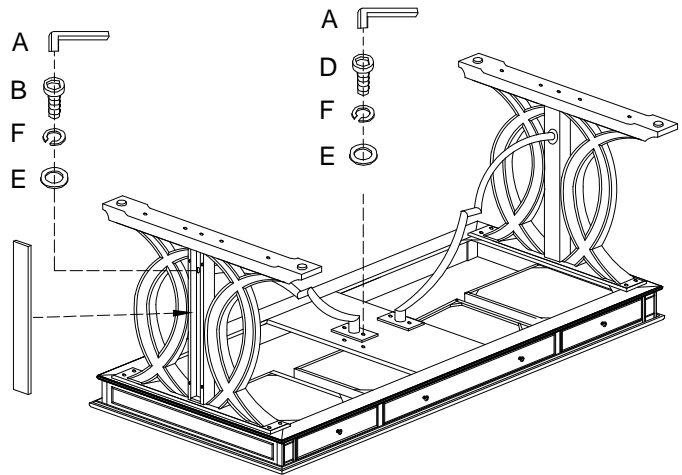


Diagram 2

1. Connect the legs to desk top by Allen Wrench (A) using Bolt , Lock Washer ,Flat Washer (B,D,C) .See Diagram 1

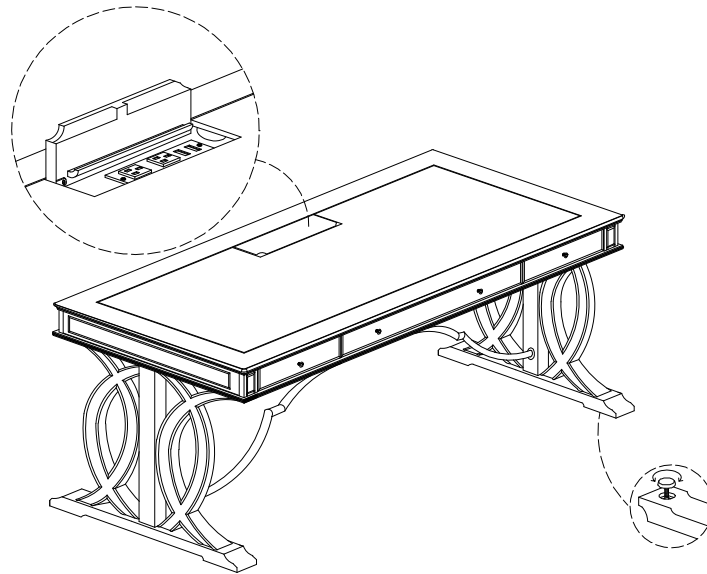


Diagram 3



Parker House
FURNITURE

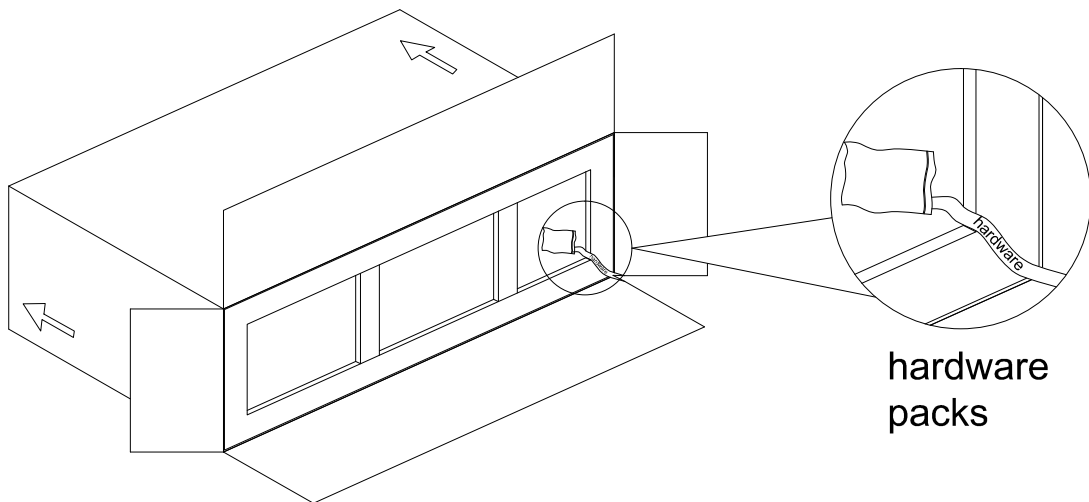
Assembly Instruction

Item NO:PRO#63&PRO#76

Description:63" &76"TV CONSOLE PH 326B

211108

Components and Hardware package location diagram



hardware
packs

For your safety, once wall is fully assembled, secure to wall Wall Strap A.



Parker House
FURNITURE

Assembly Instruction

Item NO:PRO#63&PRO#76

Description:63" &76"TV CONSOLE PH 326B

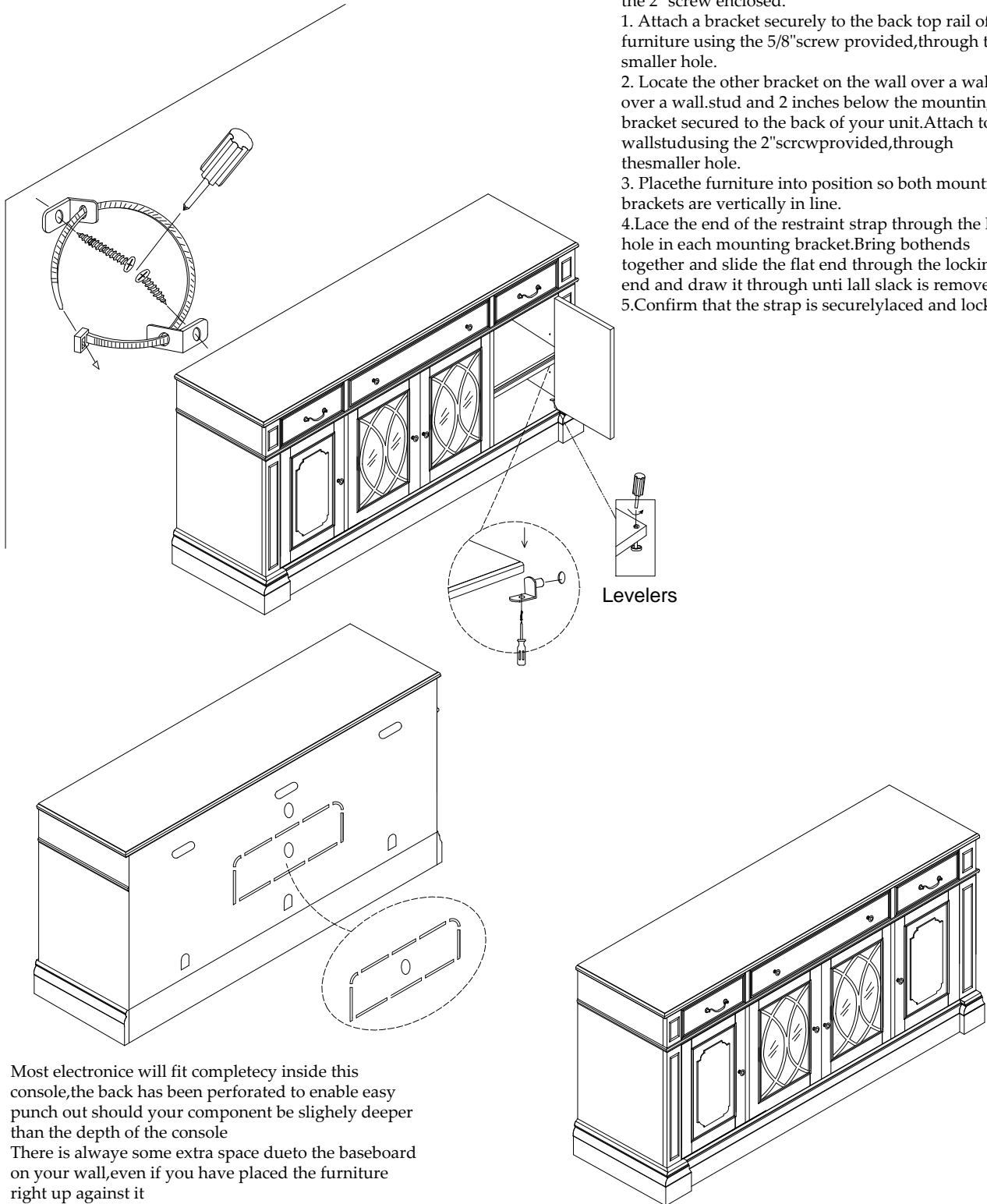
211108

NO	Description	Sketch	QTY
A	Wall Strap		2

Installation Instructions

This tip restraint must be attached to a wall stud using the 2" screw enclosed.

1. Attach a bracket securely to the back top rail of the furniture using the 5/8" screw provided, through the smaller hole.
2. Locate the other bracket on the wall over a wall stud and 2 inches below the mounting bracket secured to the back of your unit. Attach to the wall stud using the 2" screw provided, through the smaller hole.
3. Place the furniture into position so both mounting brackets are vertically in line.
4. Place the end of the restraint strap through the larger hole in each mounting bracket. Bring both ends together and slide the flat end through the locking end and draw it through until all slack is removed.
5. Confirm that the strap is securely placed and locked.



Levelers

Most electronic will fit completely inside this console, the back has been perforated to enable easy punch out should your component be slightly deeper than the depth of the console
There is always some extra space due to the baseboard on your wall, even if you have placed the furniture right up against it



Parker House
FURNITURE

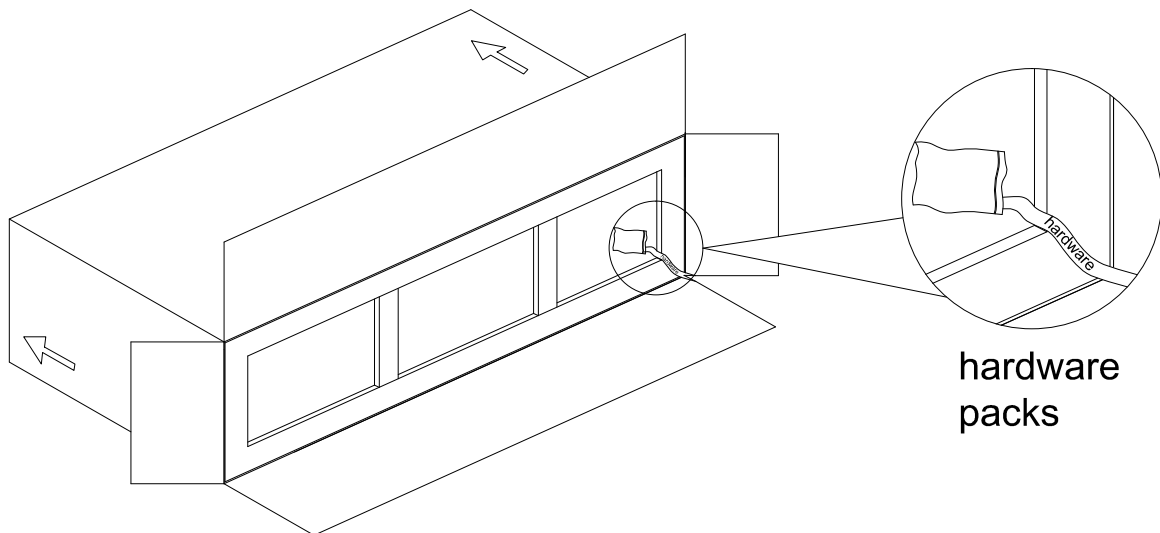
Assembly Instruction

Item NO:PRO#84

Description:84"TV CONSOLE PH 326B

211108

Components and Hardware package location diagram



For your safety, once wall is fully assembled, secure to wall Wall Strap A.



Parker House
FURNITURE

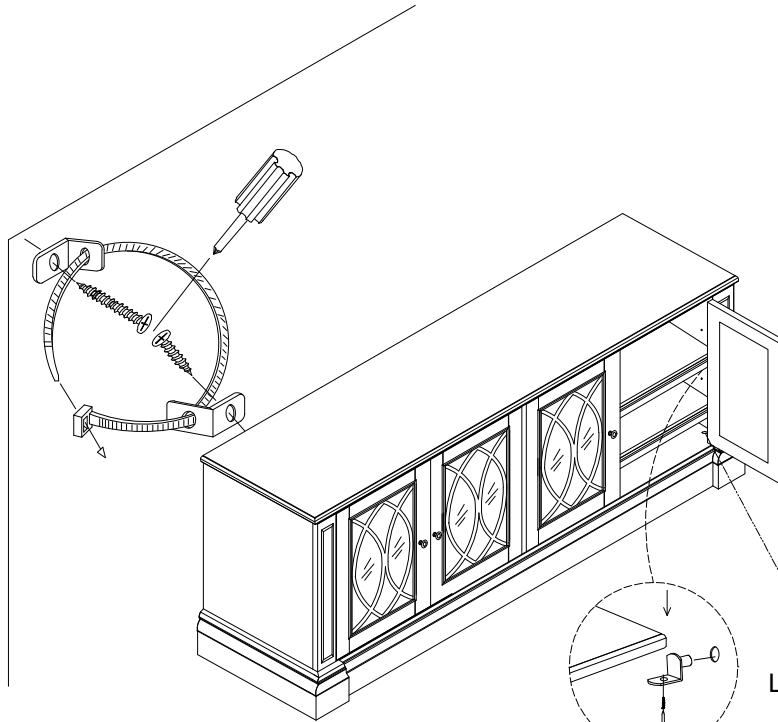
Assembly Instruction

Item NO:PRO#84

Description:84"TV CONSOLE PH 326B

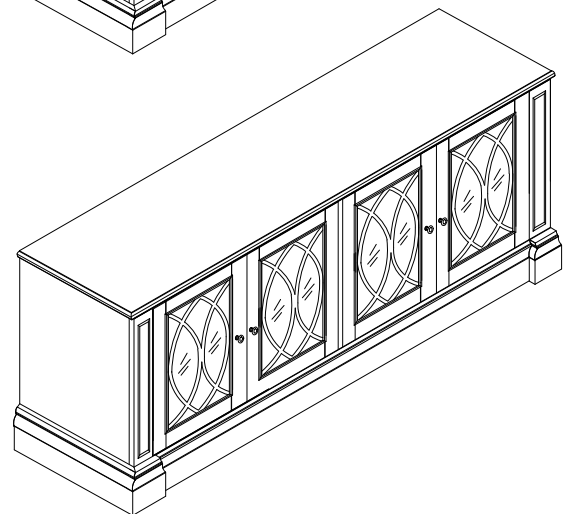
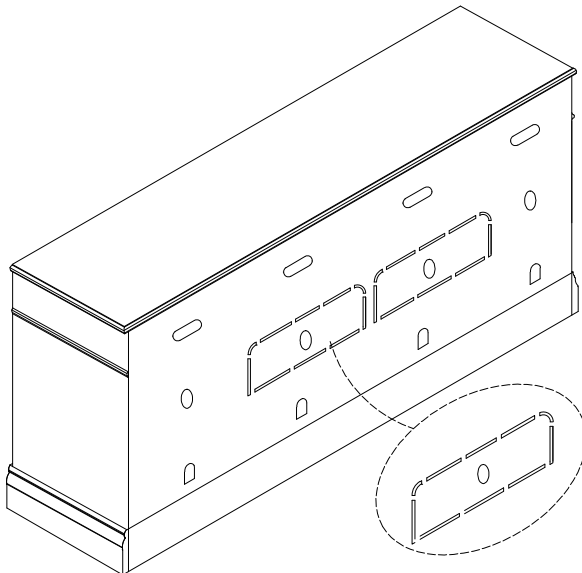
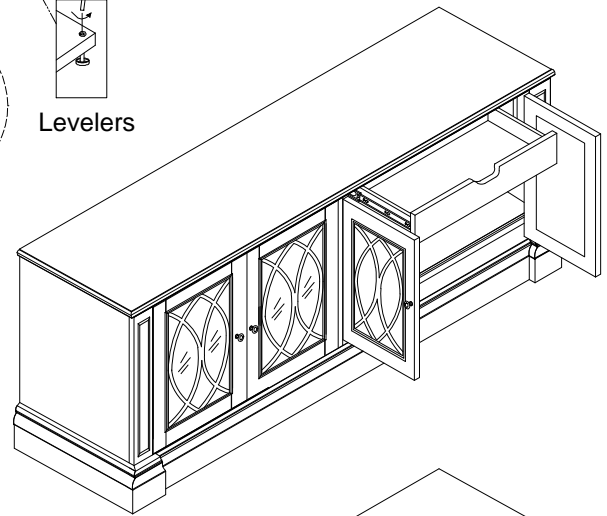
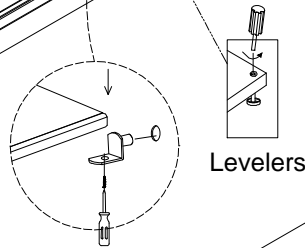
211108

NO	Description	Sketch	QTY
A	Wall Strap		2



This tip restraint must be attached to a wall stud using the 2" screw enclosed.

1. Attach a bracket securely to the back top rail of the furniture using the 5/8" screw provided, through the smaller hole.
2. Locate the other bracket on the wall over a wall stud and 2 inches below the mounting bracket secured to the back of your unit. Attach to the wall stud using the 2" screw provided, through the smaller hole.
3. Place the furniture into position so both mounting brackets are vertically in line.
4. Lace the end of the restraint strap through the larger hole in each mounting bracket. Bring both ends together and slide the flat end through the locking end and draw it through until all slack is removed.
5. Confirm that the strap is securely laced and locked.



Most electronic will fit completely inside this console, the back has been perforated to enable easy punch out should your component be slightly deeper than the depth of the console. There is always some extra space due to the baseboard on your wall, even if you have placed the furniture right up against it.



Parker House
FURNITURE

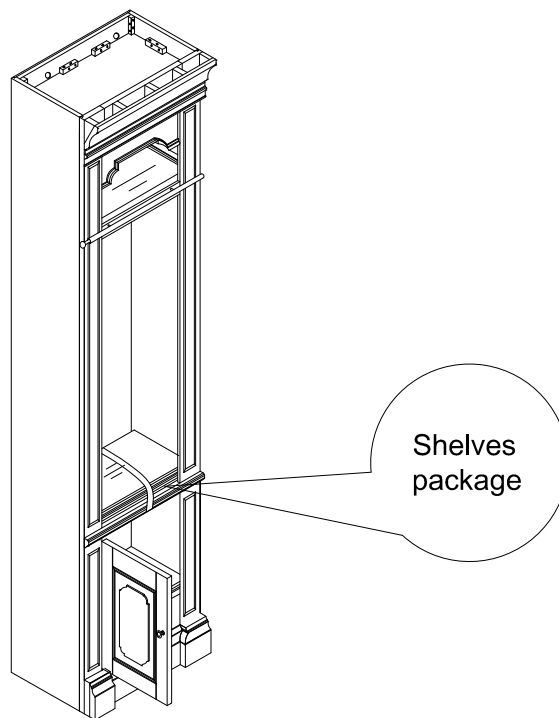
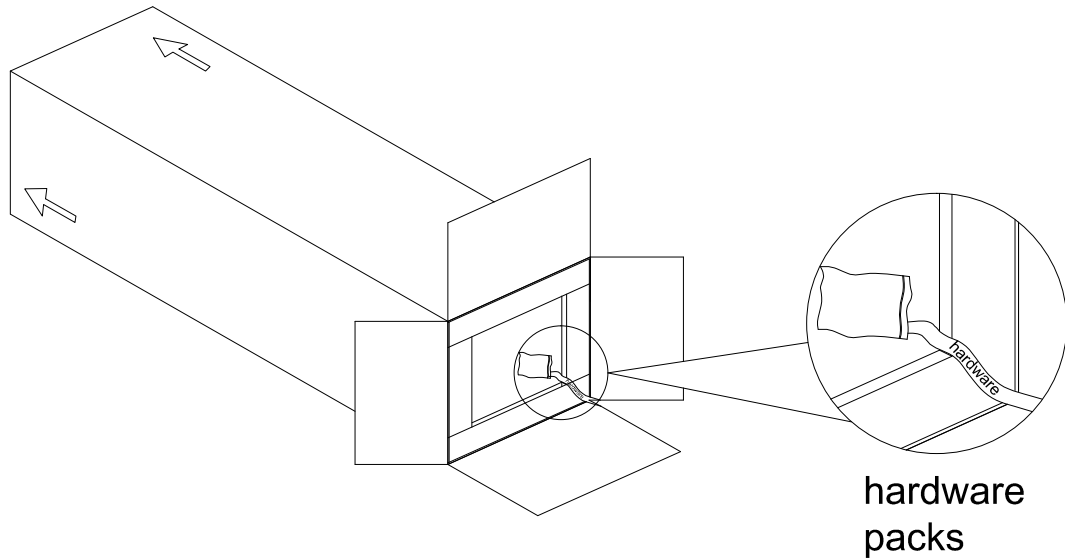
Assembly Instruction

Item NO:PRO#420

Description:22"OPEN TOP BOOKCASE PH 326B

211108

Components and Hardware package location diagram



For your safety, once wall is fully assembled, secure to wall Wall Strap E.



Parker House
FURNITURE

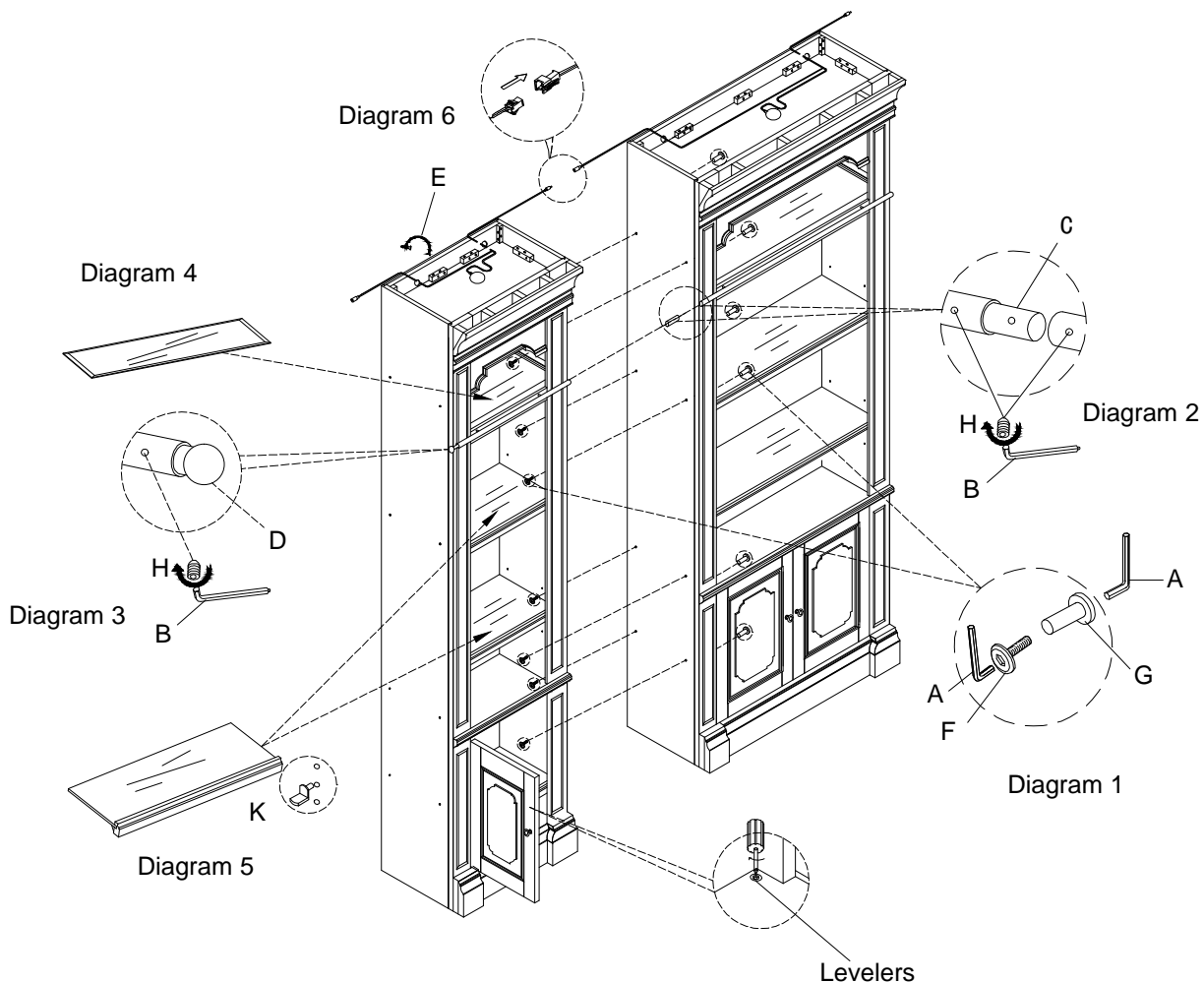
Assembly Instruction

Item NO:PRO#420

Description:22"OPEN TOP BOOKCASE PH 326B

211108

NO	Description	Sketch	Q'TY	NO	Description	Sketch	Q'TY
A	Allen Wrench 4mm		1	I	Bolt Ø1/4"*1-5/8"		2
B	Allen Wrench 2.5mm		1	J	Decoration Bolt Cap		2
C	Ladder Rail Coupler		1	K	Shelf metal clip		8
D	Ladder Rail Finial		1	L	Allen Wrench 4mm For Electric Drill		1
E	Wall Strap		1				
F	Connector Bolt Ø1/4"*1"		8	M	Wire buckle		2
G	Connector Cap Ø1/4"*5/8"		8	N	Screw M6*3/8"		2
H	Connector Bolt Ø2.5mm		2				



- Align and connect cabinets with Connector Bolt F and Connector Cap G. See Diagram 1.
- To connect ladder rails, loosen retaining screw found on each rail end, insert ladder rail coupler C about 1" on one side, and tighten. Align cabinets and push together, aligning ladder rail in the process. Tighten opposite retaining screw to secure ladder rail coupler. See Diagram 2.
- If setting up an end piece, secure Ladder Rail Finial D to ladder rail end to complete finished look. See Diagram 3.
- Place the glass shelf onto fix shel frame at the top level See Diagram 4
- Place the shelf pin on the Wall cabine before put on the adjust shelf
See Diagram 5

- Connect female and male airjack light cable to properly ensure power to all LED lights. See Diagram 6.
Connect light Kit LTKIT#499 (sold searately) to right most cabinet by connecting remaining air jack cable to Control Box and securing Touch Cable to touch post located in front right corner of cabinet top. See assembly instruction sheet provided with LTKIT#499 for more details.

For your safety, once wall is fully assembled, secure to wall Wall Strap E.



Parker House
FURNITURE

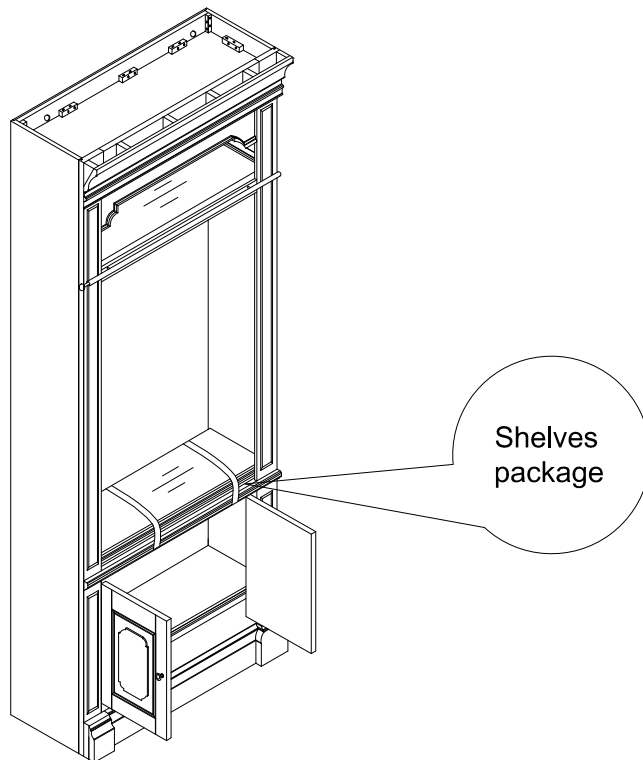
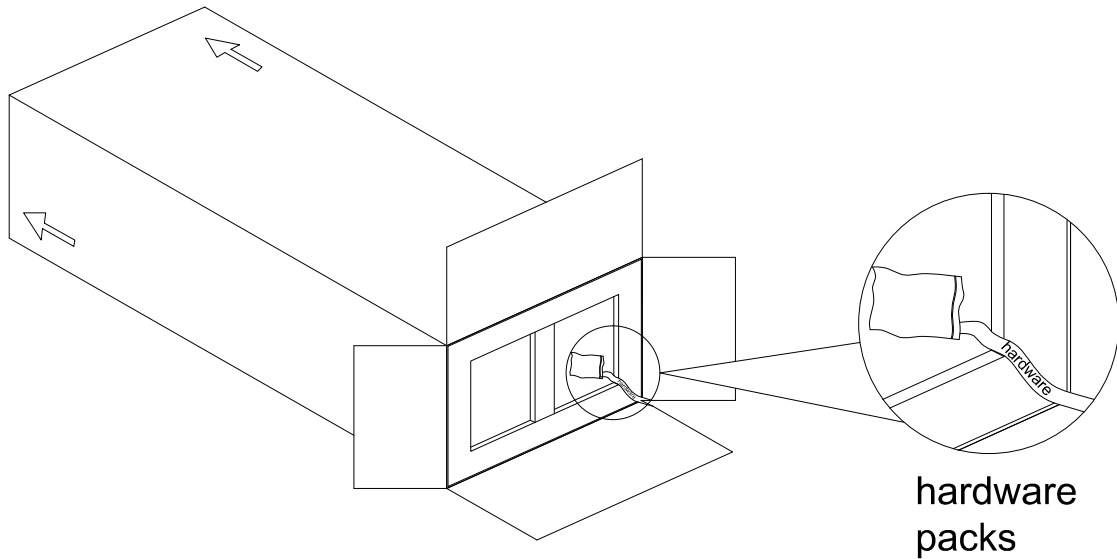
Assembly Instruction

Item NO:PRO#430

Description:32"OPEN TOP BOOKCASE PH 326B

211108

Components and Hardware package location diagram



For your safety, once wall is fully assembled, secure to wall Wall Strap E.



Parker House
FURNITURE

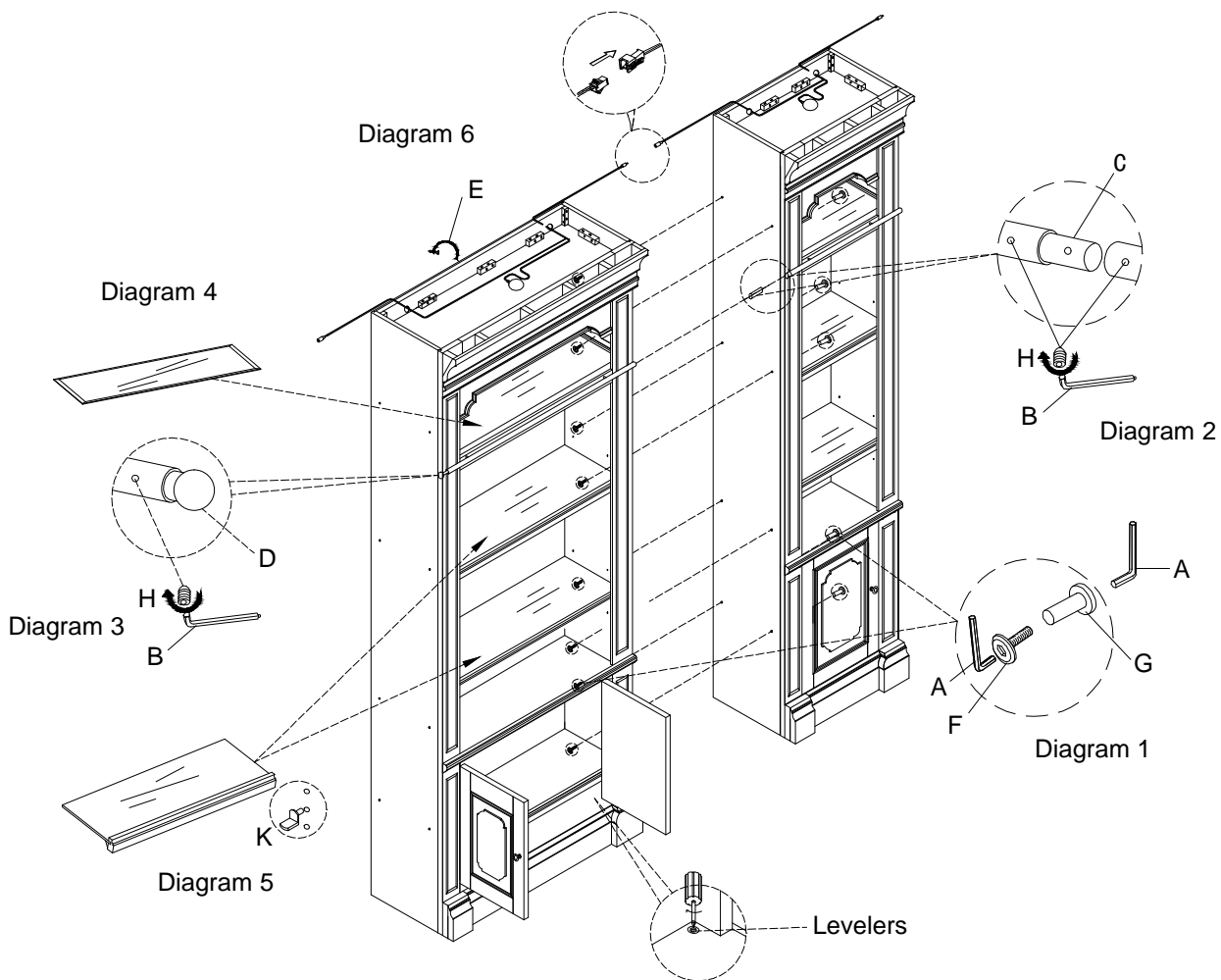
Assembly Instruction

Item NO:PRO#430

Description:32"OPEN TOP BOOKCASE PH 326B

211108

NO	Description	Sketch	Q'TY	NO	Description	Sketch	Q'TY
A	Allen Wrench 4mm		1	I	Bolt Ø1/4"*1-5/8"		2
B	Allen Wrench 2.5mm		1	J	Decoration Bolt Cap		2
C	Ladder Rail Coupler		1	K	Shelf metal clip		8
D	Ladder Rail Finial		1	L	Allen Wrench 4mm For Electric Drill		1
E	Wall Strap		1				
F	Connector Bolt Ø1/4"*1"		8	M	Wire buckle		2
G	Connector Cap Ø1/4"*5/8"		8	N	Screw M6*3/8"		2
H	Connector Bolt Ø2.5mm		2				



1. Align and connect cabinets with Connector Bolt F and Connector Cap G. See Diagram 1.
2. To connect ladder rails, loosen retaining screw found on each rail end, insert ladder rail coupler C about 1" on one side, and tighten. Align cabinets and push together, aligning ladder rail in the process. Tighten opposite retaining screw to secure ladder rail coupler. See Diagram 2.
3. If setting up an end piece, secure Ladder Rail Finial D to ladder rail end to complete finished look. See Diagram 3.
4. Place the glass shelf onto fix shel frame at the top level See Diagram 4
5. Place the shelf pin on the Wall cabine before put on the adjust shelf
See Diagram 5

6. Connect female and male airjack light cable to properly ensure power to all LED lights. See Diagram 6.
Connect light Kit LTKIT#499 (sold searately) to right most cabinet by connecting remaining air jack cable to Control Box and securing Touch Cable to touch post located in front right corner of cabinet top. See assembly instruction sheet provided with LTKIT#499 for more details.

For your safety, once wall is fully assembled, secure to wall Wall Strap E.



Parker House
FURNITURE

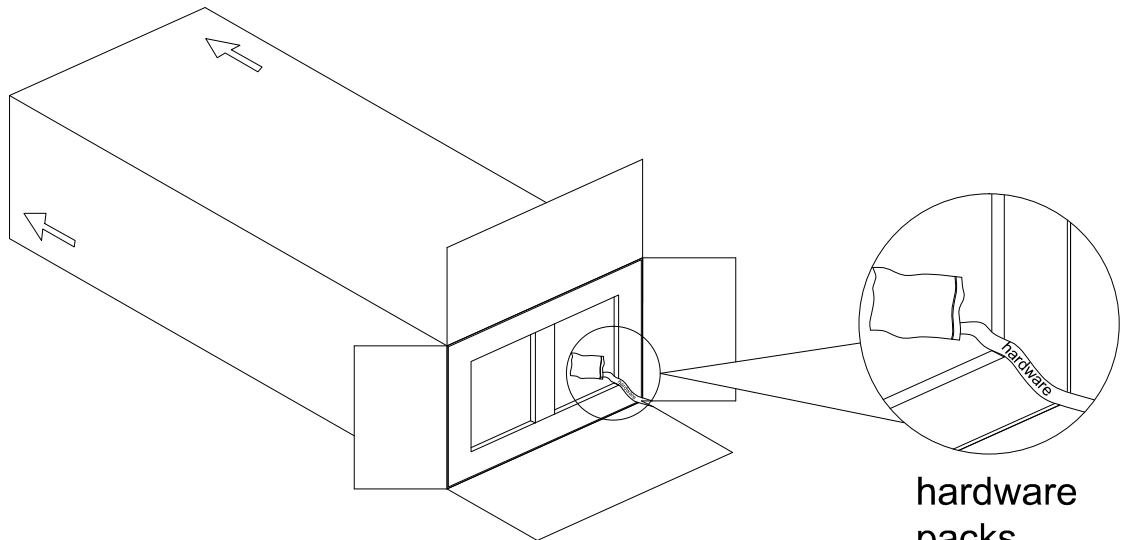
Assembly Instruction

Item NO:PRO#440

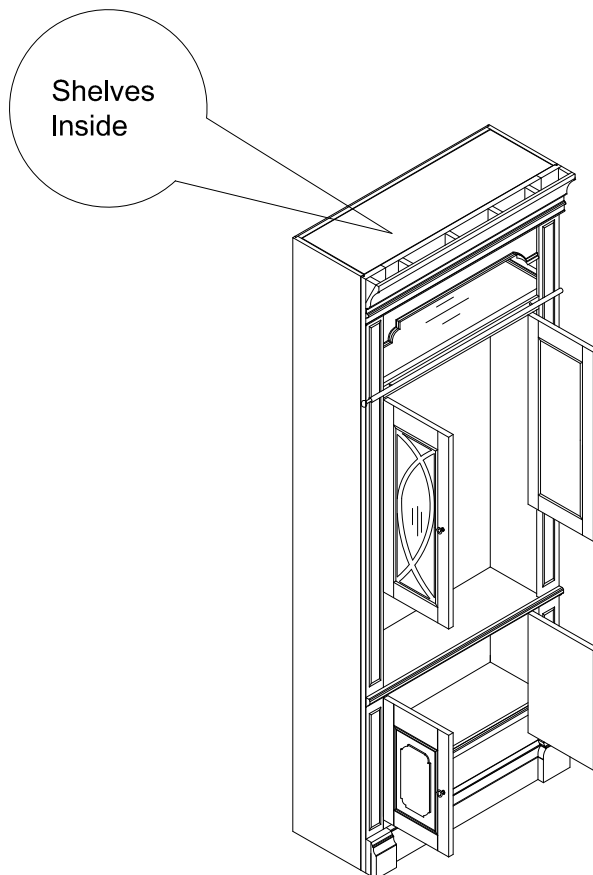
Description:32"GLASS DOOR CABINET PH 326B

211108

Components and Hardware package location diagram



hardware
packs



Shelves
Inside

For your safety, once wall is fully assembled, secure to wall Wall Strap E.



Parker House
FURNITURE

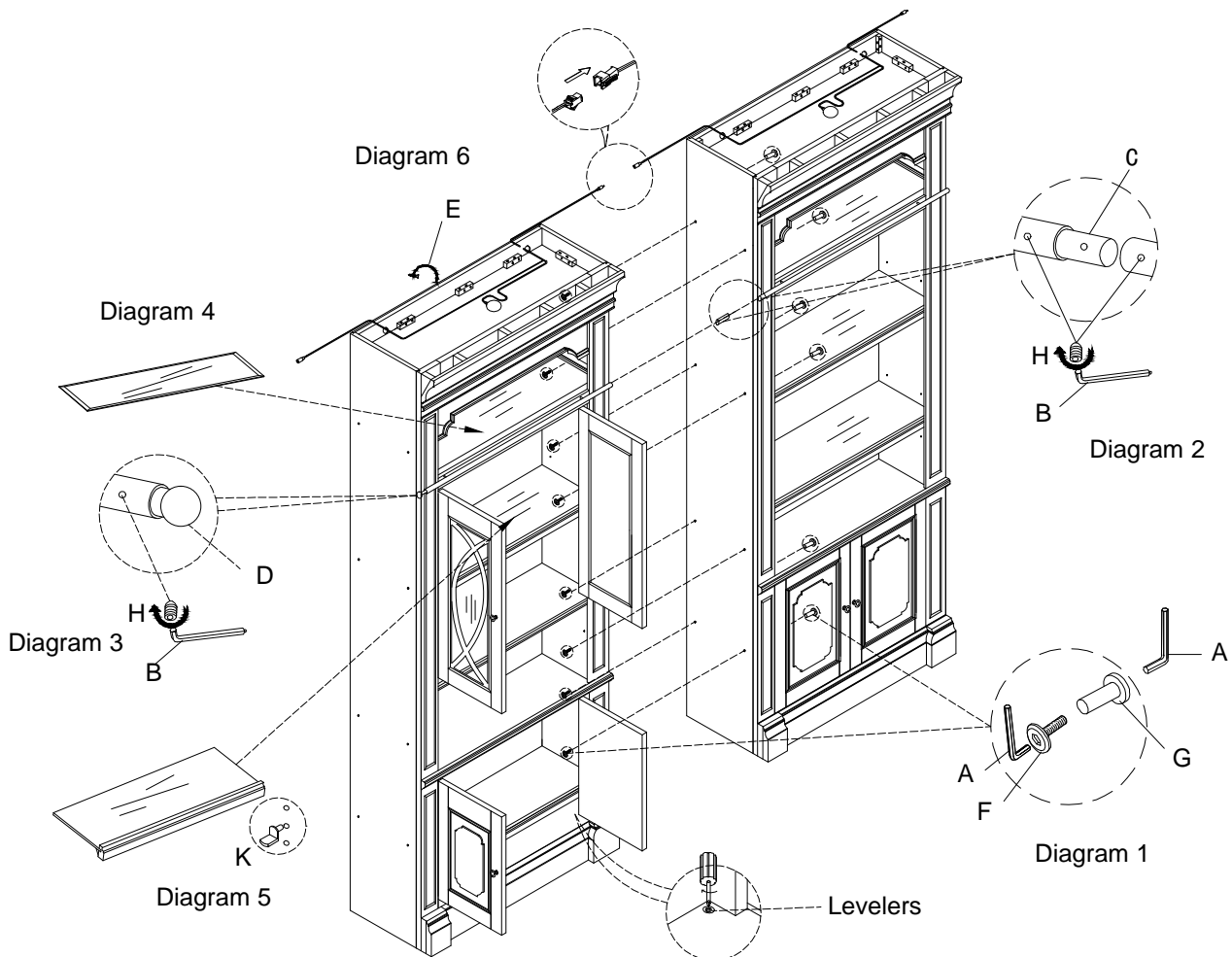
Assembly Instruction

Item NO:PRO#440

Description:32"GLASS DOOR CABINET PH 326B

211108

NO	Description	Sketch	QTY	NO	Description	Sketch	QTY
A	Allen Wrench 4mm		1	I	Bolt Ø1/4"*1-5/8"		2
B	Allen Wrench 2.5mm		1	J	Decoration Bolt Cap		2
C	Ladder Rail Coupler		1	K	Shelf metal clip		8
D	Ladder Rail Finial		1	L	Allen Wrench 4mm For Electric Drill		1
E	Wall Strap		1				
F	Connector Bolt Ø1/4"*1"		8	M	Wire buckle		2
G	Connector Cap Ø1/4"*5/8"		8	N	Screw M6*3/8"		2
H	Connector Bolt Ø2.5mm		2				



1. Align and connect cabinets with Connector Bolt F and Connector Cap G. See Diagram 1.
2. To connect ladder rails, loosen retaining screw found on each rail end, insert ladder rail coupler C about 1" on one side, and tighten. Align cabinets and push together, aligning ladder rail in the process. Tighten opposite retaining screw to secure ladder rail coupler. See Diagram 2.
3. If setting up an end piece, secure Ladder Rail Finial D to ladder rail end to complete finished look. See Diagram 3.
4. Place the glass shelf onto fix shel frame at the top level See Diagram 4
5. Place the shelf pin on the Wall cabine before put on the adjust shelf See Diagram 5

6. Connect female and male airjack light cable to properly ensure power to all LED lights. See Diagram 6.
Connect light Kit LTKIT#499 (sold seorately) to right most cabinet by connecting remaining air jack cable to Control Box and securing Touch Cable to touch post located in front right corner of cabinet top. See assembly instruction sheet provided with LTKIT#499 for more details.

For your safety, once wall is fully assembled, secure to wall Wall Strap E.



Parker House
FURNITURE

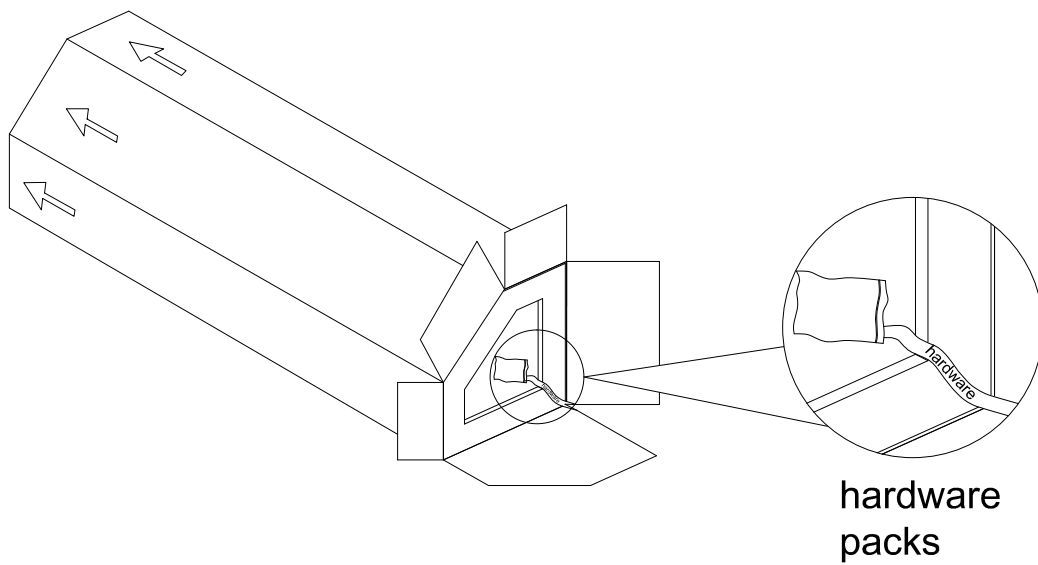
Assembly Instruction

Item NO:PRO#450

Description:OUTSIDE CORNER PH 326B

211108

Components and Hardware package location diagram



For your safety, once wall is fully assembled, secure to wall Wall Strap B.



Parker House
FURNITURE

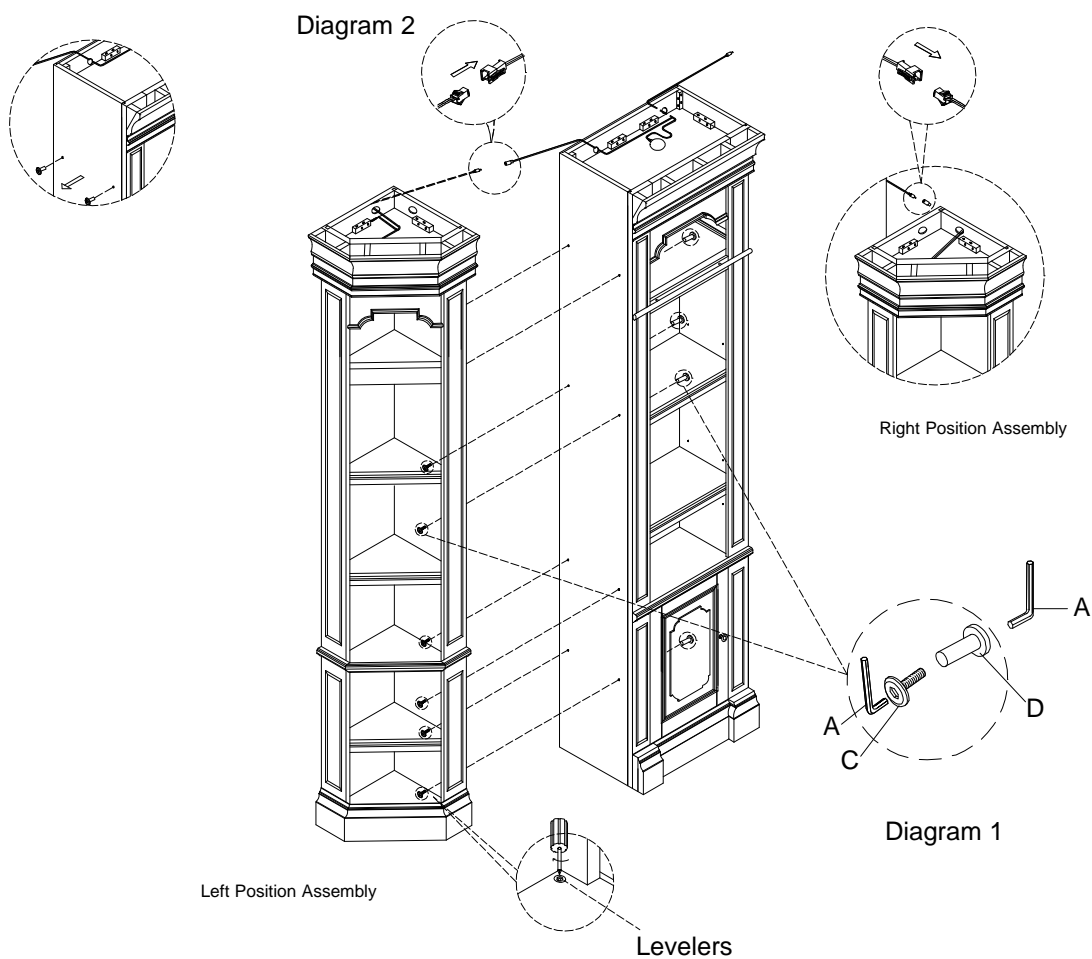
Assembly Instruction

Item NO:PRO#450

Description:OUTSIDE CORNER PH 326B

211108

NO	Description	Sketch	QTY
A	Allen Wrench 4mm		1
B	Wall Strap		1
C	Connector Bolt Ø1/4"*1"		8
D	Connector Cap Ø1/4"*5/8"		8
E	Wire buckle		2
F	Screw M6*3/8"		2



1. Align and connect corner to cabinet with Connector Bolt C and Connector Cap D.

2. Connect female and male airjack light cable to properly ensure power to all LED lights. See Diagram 2.

Connect light Kit LTKIT#499 (sold seorately) to right most cabinet by connecting remaining air jack cable to Control Box and securing Touch Cable to touch post located in front right corner of cabinet top. See assembly instruction sheet provided with LTKIT#499 for more details.

For your safety, once wall is fully assembled, secure to wall Wall Strap B.



Parker House
FURNITURE

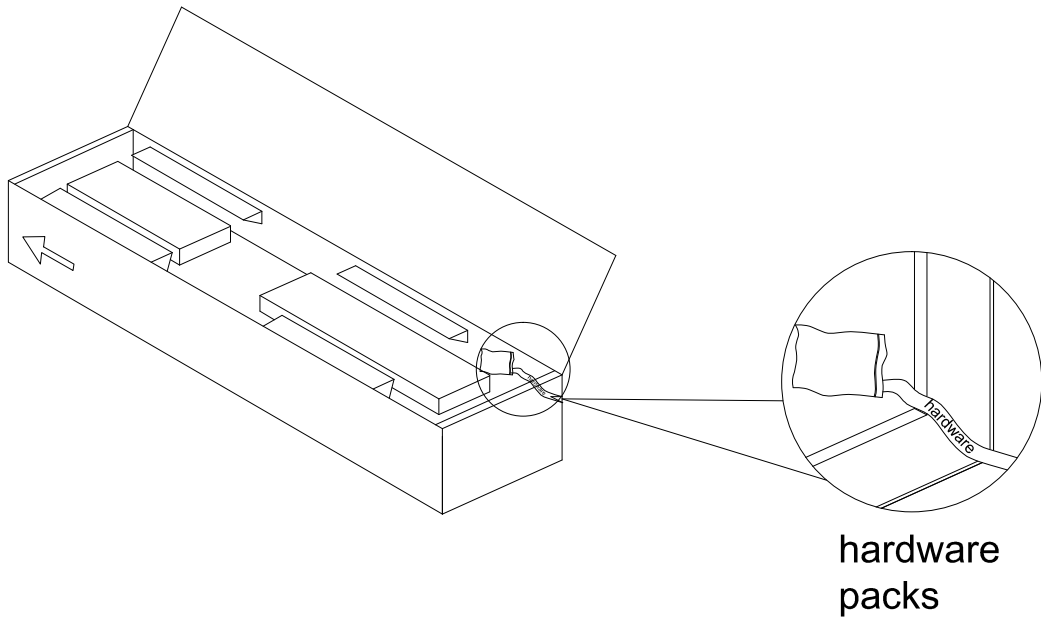
Assembly Instruction

Item NO:PRO#456

Description:INSIDE FILLER CORNER PH 326B

211108

Components and Hardware package location diagram





Parker House
FURNITURE

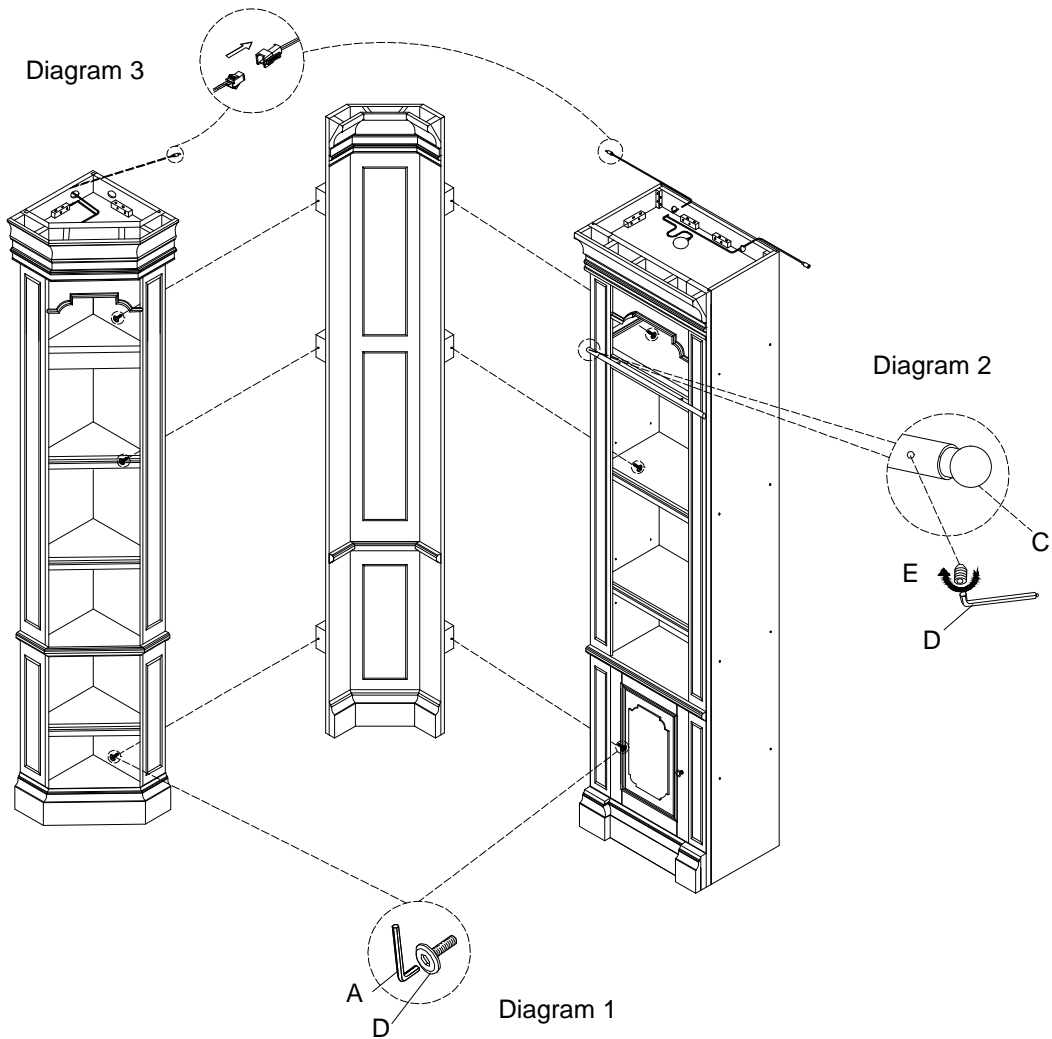
Assembly Instruction

Item NO:PRO#456

Description:INSIDE FILLER CORNER PH 326B

211108

NO	Description	Sketch	QTY
A	Allen Wrench 4mm		1
B	Connector Bolt Ø1/4"*1-1/2"		8
C	Ladder Rail Finial		1
D	Allen Wrench 2.5mm		1
E	Connector Bolt Ø2.5mm		2



1. To connect each cabinet,remove the wood plugs located on the side of each cabinet to allow for insertion of Connector Bolt B.
2. It is recommended to connect the Inside Corner fully on the side to a cabinet near its final position,starting first with the Connector Bolt B, See Diagram 1.slide both connected pieces into final resting position.Align and connect second cabinet in its final resting position.
3. To complete finished look,secure Ladder Rail Finial D to ladder rail end.See Diagram 2.

4. Connect female and male airjack light cable to properly ensure power to all LED lights. See Diagram 3. Connect light Kit LTKIT#499 (sold searately) to right most cabinet by connecting remaining air jack cable to Control Box and securing Touch Cable to touch post located in front right corner of cabinet top. See assembly instruction sheet provided with LTKIT#499 for more details



Parker House
FURNITURE

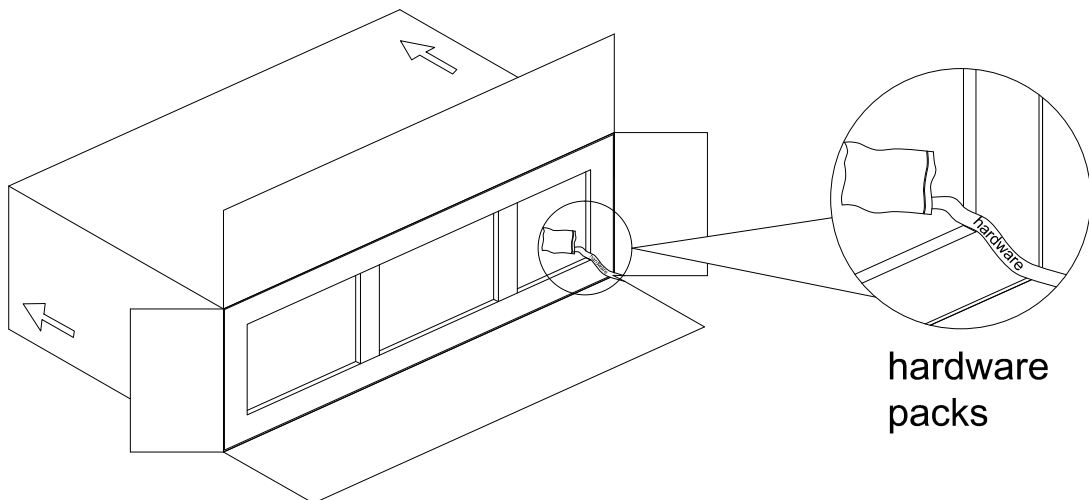
Assembly Instruction

Item NO:PRO#405/412

Description:TV Hutch/Console PH 326B

211108

Components and Hardware package location diagram



For your safety, once wall is fully assembled, secure to wall Wall Strap E.



Parker House
FURNITURE

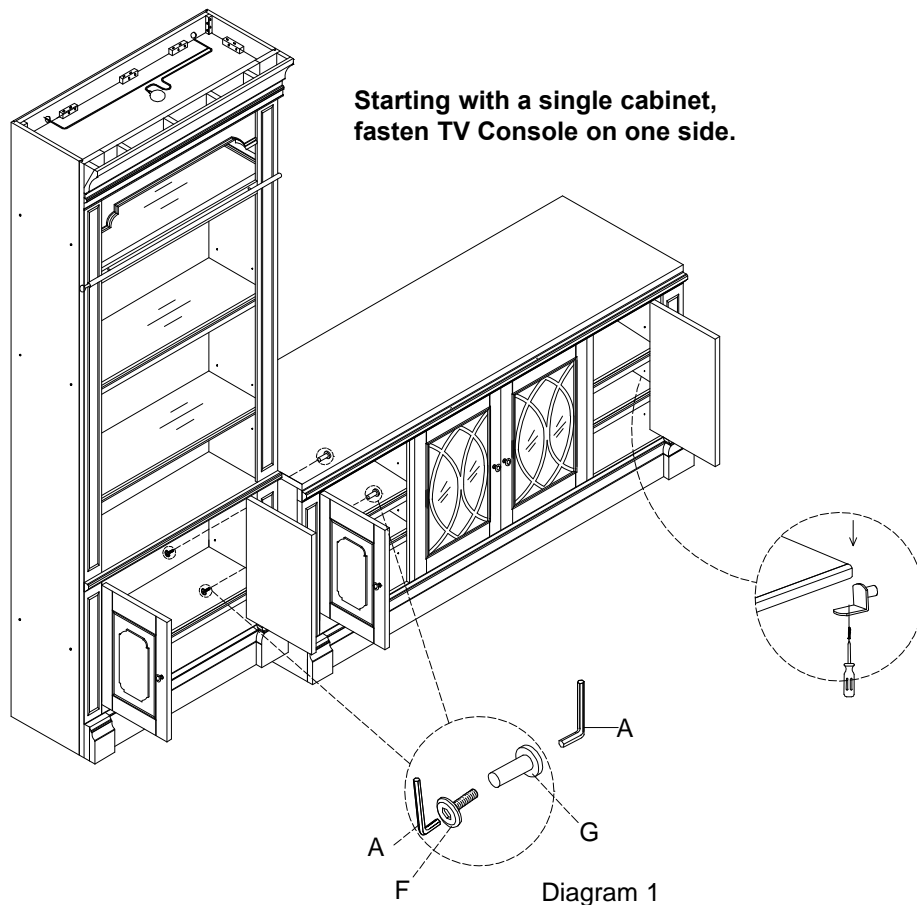
Assembly Instruction

Item NO:PRO#405/412

Description:TV Hutch/Console PH 326B

211108

NO	Description	Sketch	Q'TY	NO	Description	Sketch	Q'TY
A	Allen Wrench 4mm		1	J	Connecting Dowel Screw 6*35		2
B	Allen Wrench 2.5mm		1	K	Connecting Cam Fitting Ø15*12		2
C	Ladder Rail Coupler		1	L	Flathead Wrench		1
D	Ladder Rail Finial		2	M	Allen Wrench 4mm For Electric Drill		1
E	Wall Strap		1				
F	Connector Bolt Ø1/4"*1"		46	N	Connector Bolt Ø2.5mm		2
G	Connector Cap Ø1/4"*5/8"		18	O	Wire buckle		2
H	Bolt Ø1/4"*1-5/8"		3	P	Screw M6*3/8"		2
I	Decoration Bolt Cap		3				



1.Align and connect TV console to cabinets with Connector Bolt F and Connector Cap G.

For your safety, once wall is fully assembled, secure to wall Wall Strap E.



Parker House
FURNITURE

Assembly Instruction

Item NO:PRO#405/412

Description:TV Hutch/Console PH 326B

211108

Proceed with assembly of backpanel midsection. Assembly should be near final resting position as midsection is not fully secure until connected to cabinets.

2. Assemble back panels to rest into dadoed channel of bottom rail.

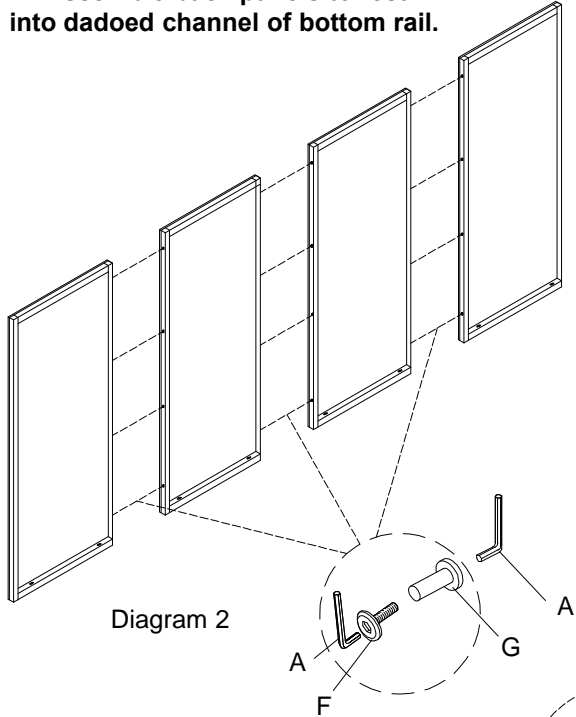


Diagram 2

3. Place stop rail at rest (dadoed channel side down) on already assemble back panels.

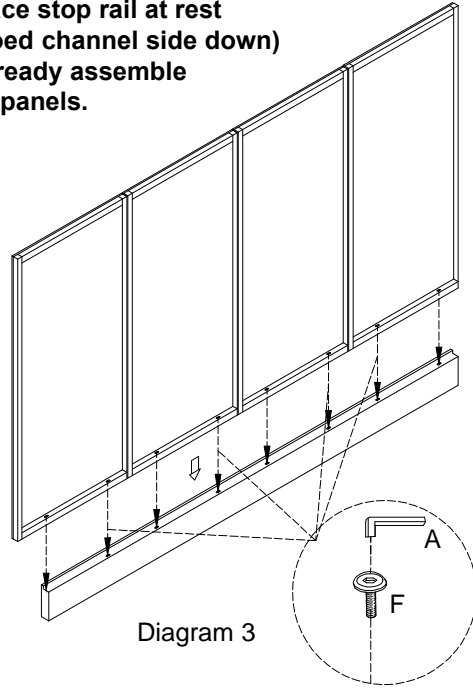


Diagram 3

5. Secure back panel to side panel with Bolt F. Secure side panels to back rail with connector J&K

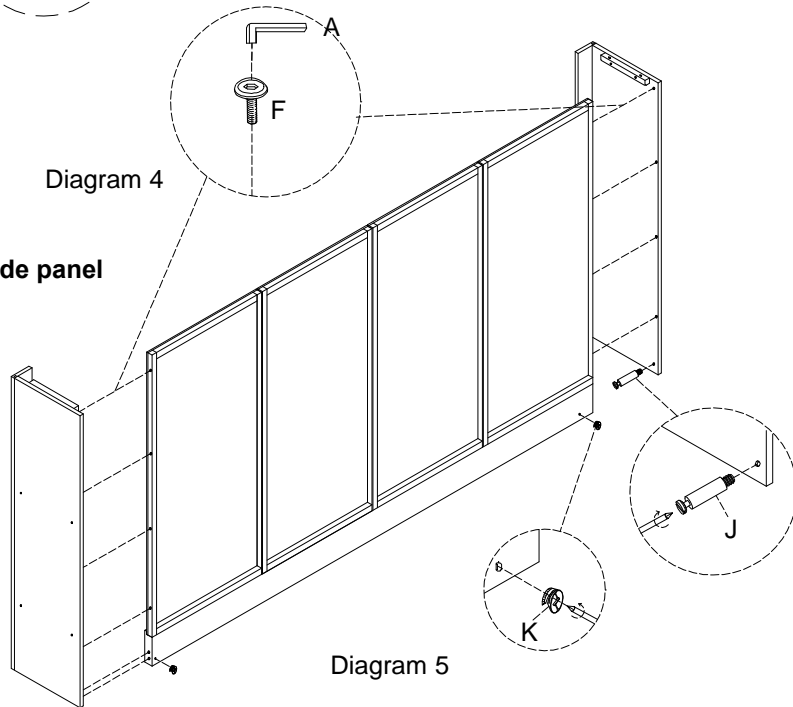


Diagram 5



Parker House
FURNITURE

Assembly Instruction

Item NO:PRO#405/412

Description:TV Hutch/Console PH 326B

211108

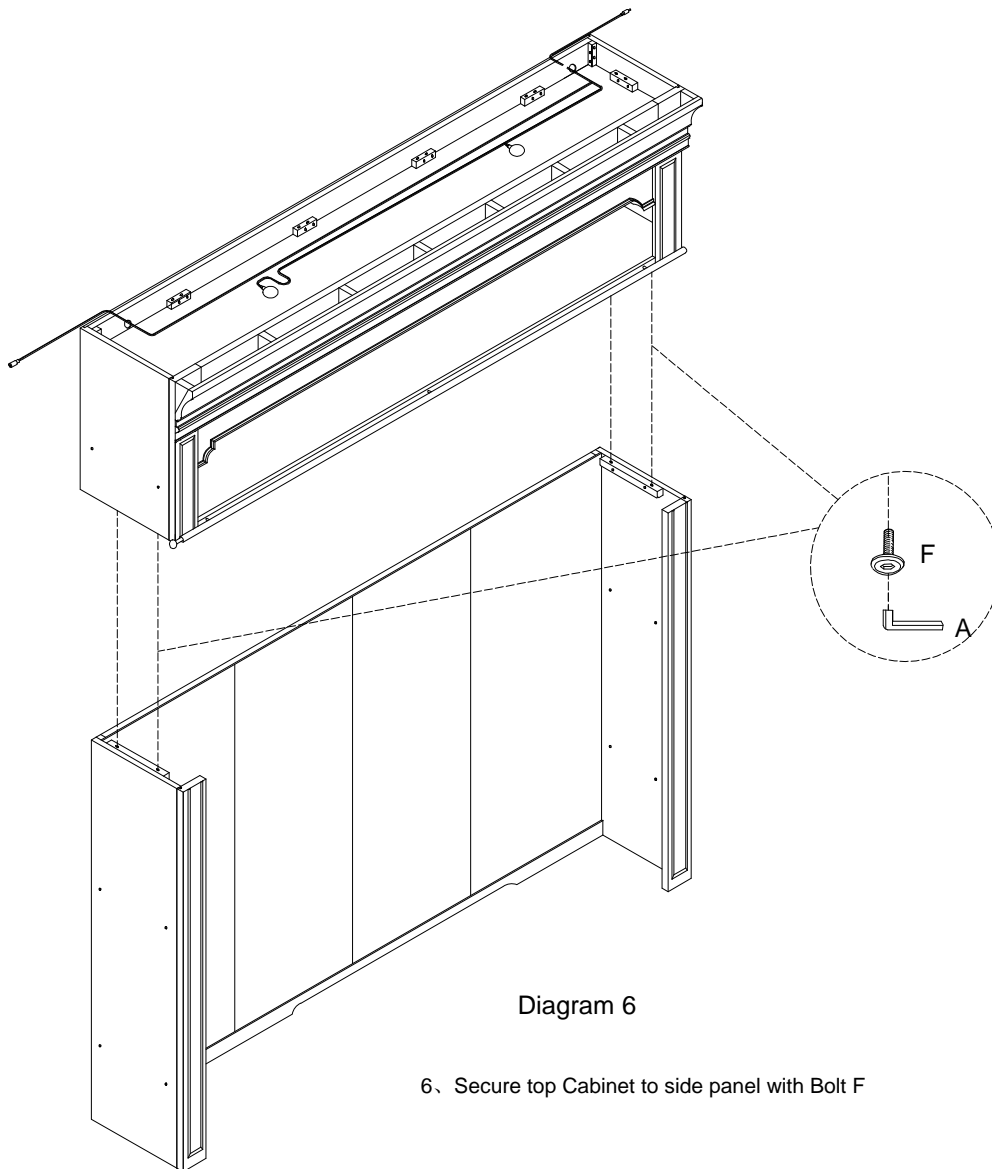


Diagram 6

6. Secure top Cabinet to side panel with Bolt F



Parker House
FURNITURE

Assembly Instruction

Item NO:PRO#405/412

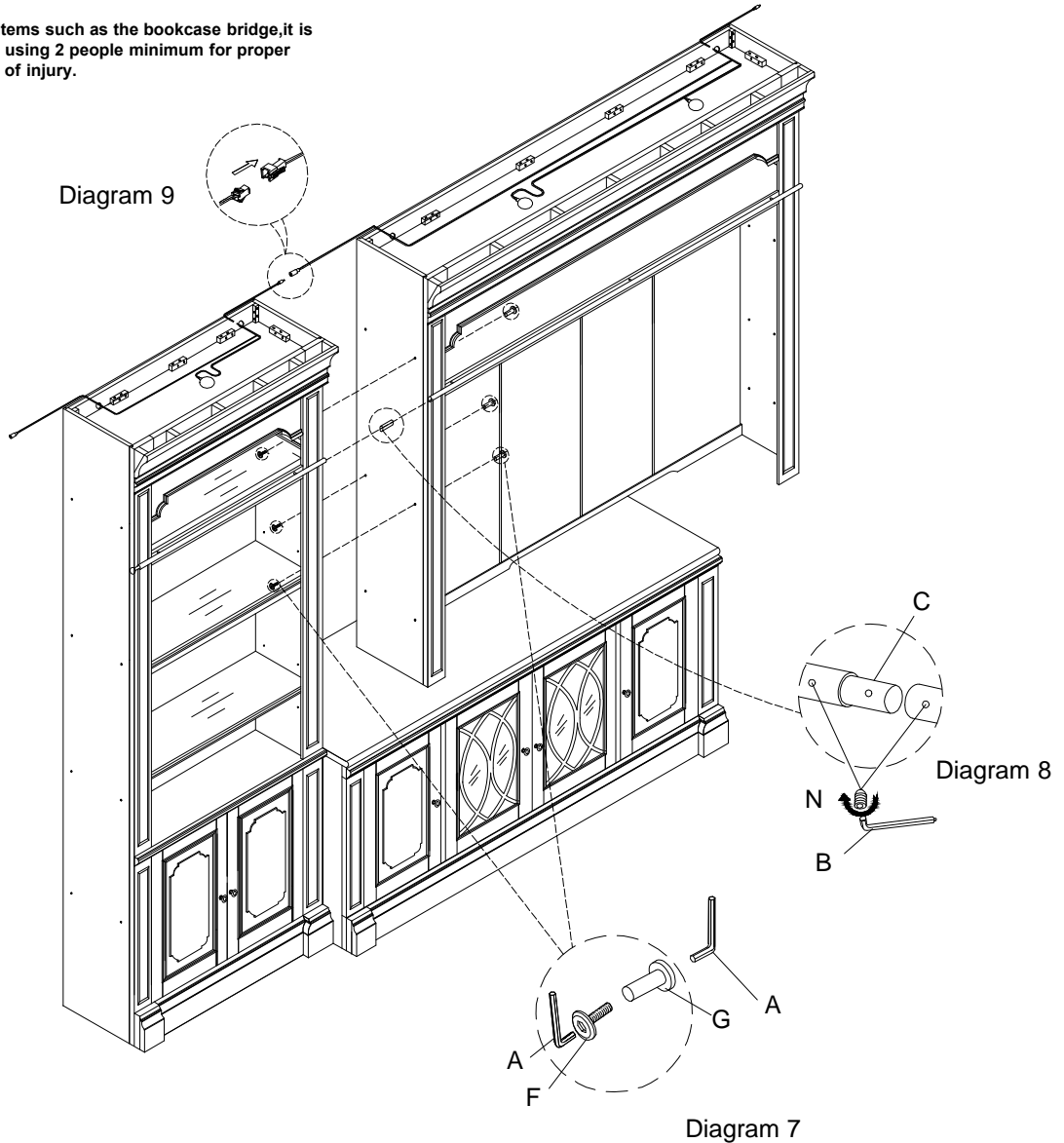
Description:TV Hutch/Console PH 326B

211108

Position Bookcase Bridge on top of Backpanel Midsection. Connect Lighting assembly, ladder rail coupler, and fasten to bookcase as shown below.

Preinstallation notes:

- When assembling items such as the bookcase bridge, it is extremely recommended using 2 people minimum for proper support and prevention of injury.



7. Align and connect cabinets with Connector Bolt F and Connector Cap G. See Diagram 7.

8. To connect ladder rails, loosen retaining screw found on each rail end, insert ladder rail coupler C about 1" on one side, and tighten. Align cabinets and push together, aligning ladder rail in the process. Tighten opposite retaining screw to secure ladder rail coupler. See Diagram 8.

9. Connect female and male airjack light cable to properly ensure power to all LED lights. See Diagram 9. Connect light Kit LTKIT#499 (sold separately) to right most cabinet by connecting remaining air jack cable to Control Box and securing Touch Cable to touch post located in front right corner of cabinet top. See assembly instruction sheet provided with LTKIT#499 for more details.

For your safety, once wall is fully assembled, secure to wall Wall Strap E.



Parker House
FURNITURE

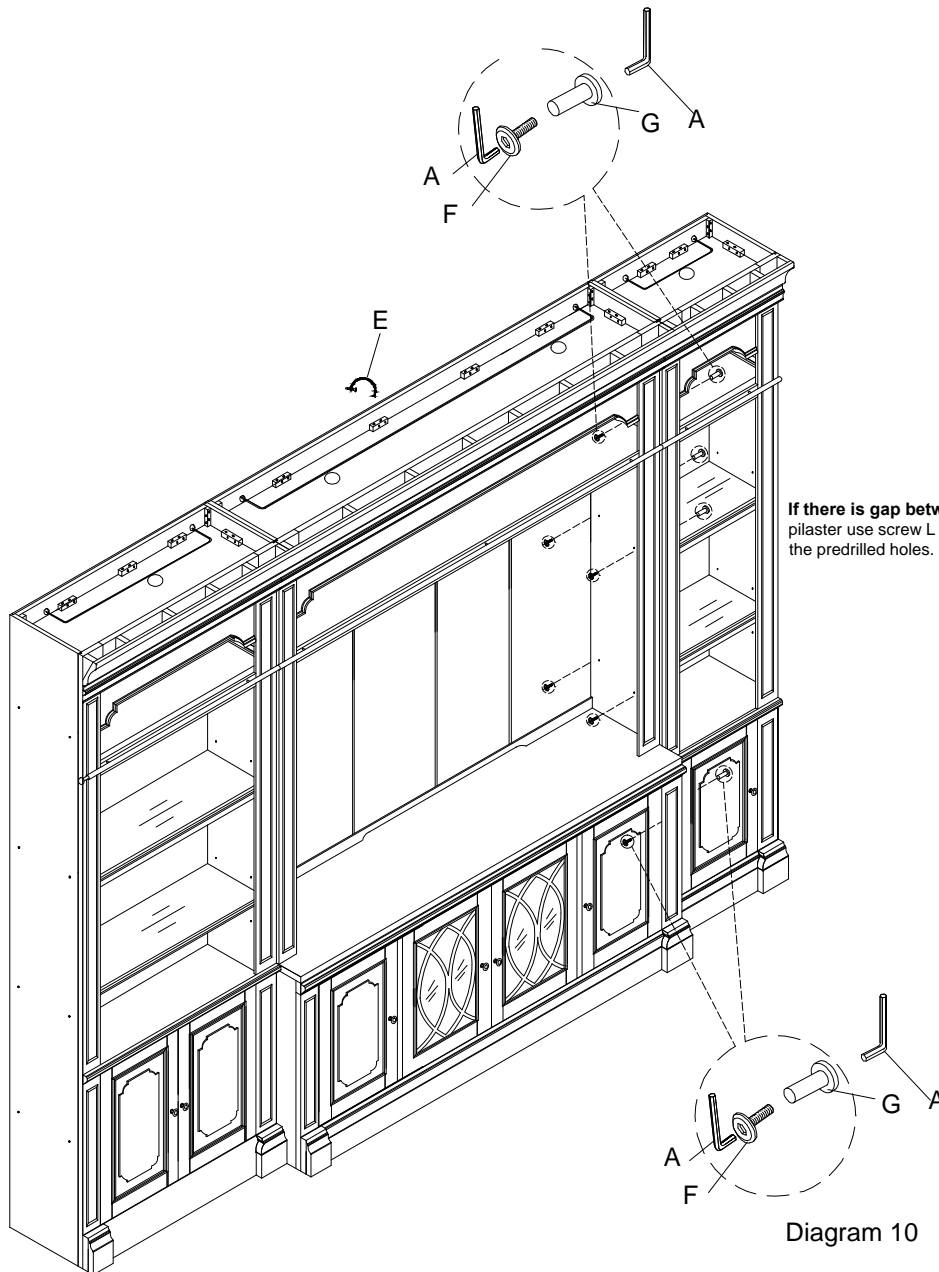
Assembly Instruction

Item NO:PRO#405/412

Description:TV Hutch/Console PH 326B

211108

Align outer opposite cabinet. Secure TV Console, Backpanel Midsection, and Bookcase Bridge to opposite cabinet, Remove temporary front rail from Backpanel Midsection.



10. Align and connect TV console to cabinets with Connector Bolt F and Connector Cap G.

For your safety, once wall is fully assembled, secure to wall Wall Strap E.



Parker House
FURNITURE

Assembly Instruction

Item NO:PRO#405/412

Description:TV Hutch/Console PH 326B

211108

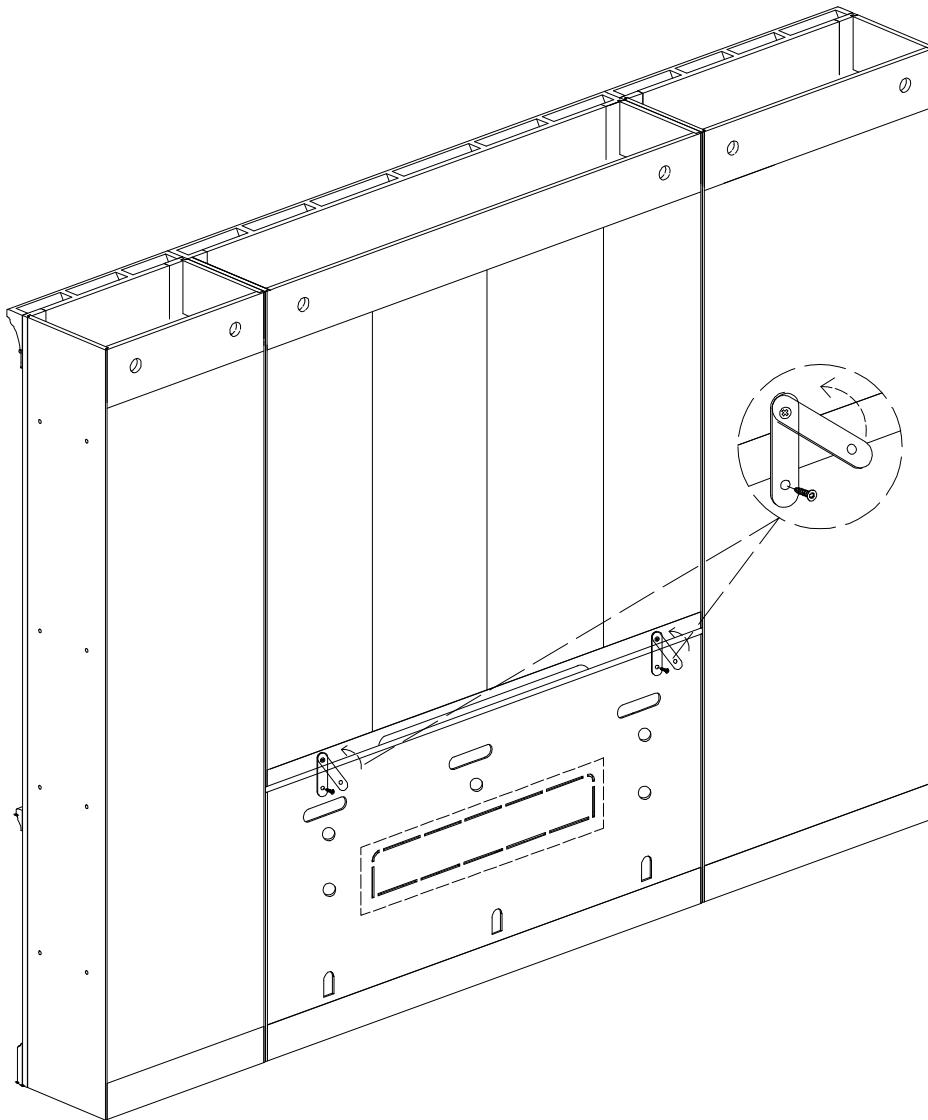


Diagram 11

11. Carefully place Hutch on top of Desk,aligning rear corners.Loosen screw on coupling plate found on the back of Hutch,rotate 90°clockwise,retighten screw.Using Screw ,secure coupling plate to rear of Desk Top as shown above.



Parker House
FURNITURE

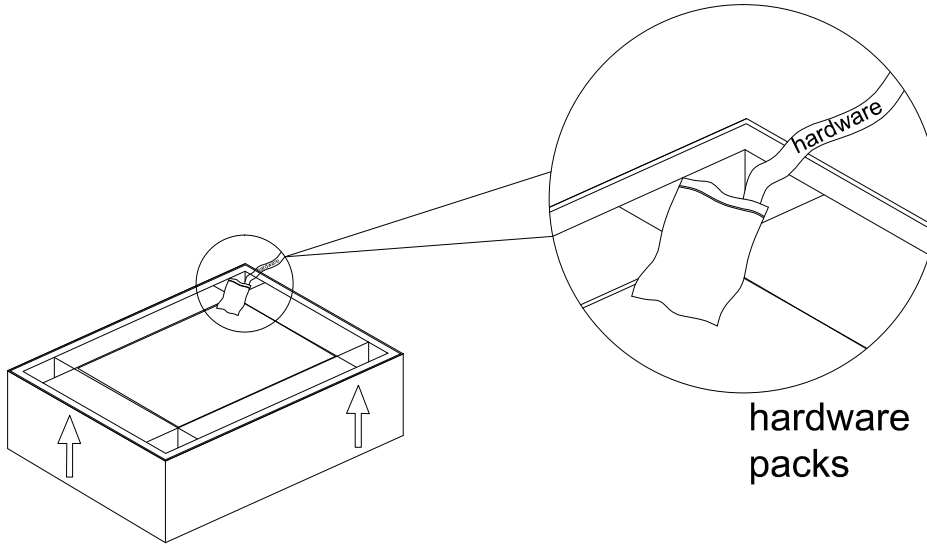
Assembly Instruction

Item NO:PRO#460H/461D

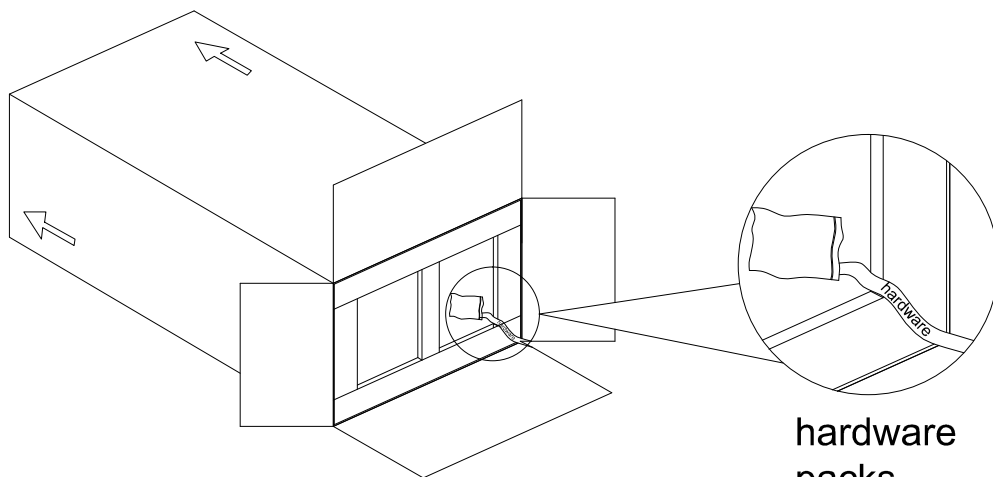
Description:LIBRARY HUTCH/DESK PH 326B

211108

Components and Hardware package location diagram



WAS#461D



WAS#460H

For your safety, once wall is fully assembled, secure to wall Wall Strap E.



Parker House
FURNITURE

Assembly Instruction

Item NO:PRO#460H/461D

Description:LIBRARY HUTCH/DESK PH 326B

211108

NO	Description	Sketch	Q'TY	NO	Description	Sketch	Q'TY
A	Allen Wrench 4mm		1	J	Wire buckle		2
B	Flat Washer Ø1/4"*16mm		13	K	Screw M6*3/8"		2
C	Lock Washer Ø1/4"		13				
D	Connector Bolt Ø1/4"*1-1/4"		9				
E	Connector Bolt Ø1/4"*1"		4				
F	Connector Bolt Ø1/4"*1"		2				
G	Connector Cap Ø1/4"*5/8"		2				
H	Screw M6*5/8"		2				
I	Wiring Grommet		1				

Begin With assembly of
WAS#461D

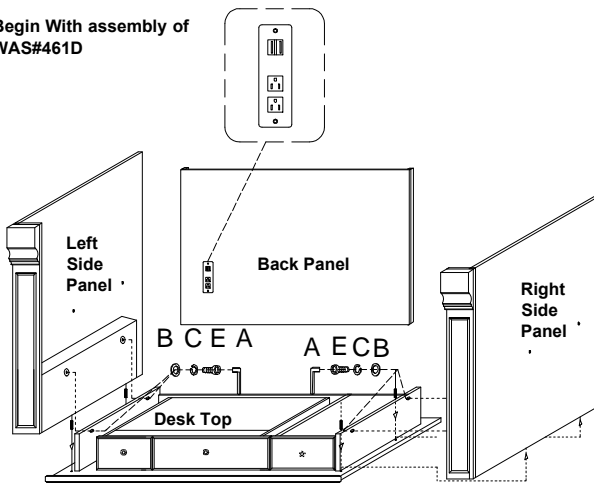


Diagram 1

1. Place Desk Top face down on soft surface, Attach Left Side Panel using Bolt E, Lock Washer C & Flat Washer B securely to the Desk Top with Allen Wrench A as shown in the illustration to the left. Repeat procedure to attach Right Side Panel to Desk Top.

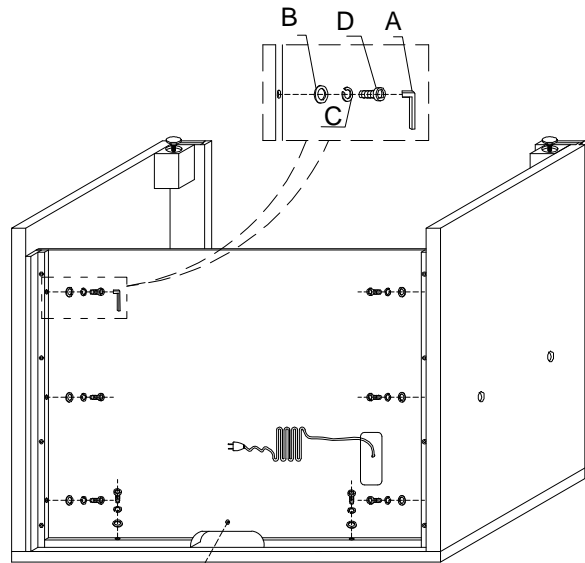


Diagram 2

2. Place Back Panel between already attached Left and Right Side Panels, securing into position by using Bolt D, Lock Washers C, & Flat Washers B with Allen Wrench A as shown in the illustration to the right.

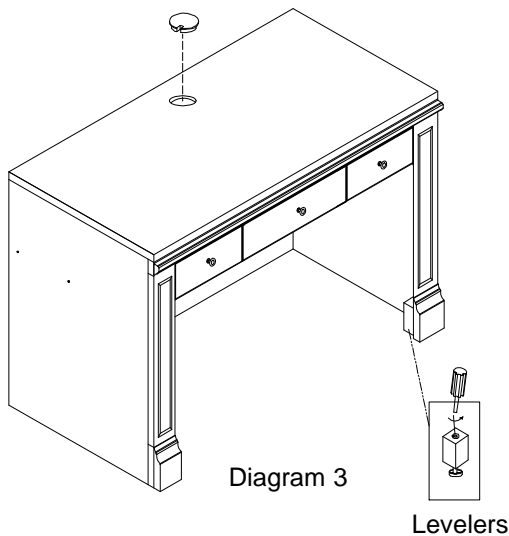


Diagram 3

Levelers

3. Carefully turn the fully assembled Desk upright. Insert Wire Grommet M into wire hole on desk's top.



Parker House
FURNITURE

Assembly Instruction

Item NO:PRO#460H/461D

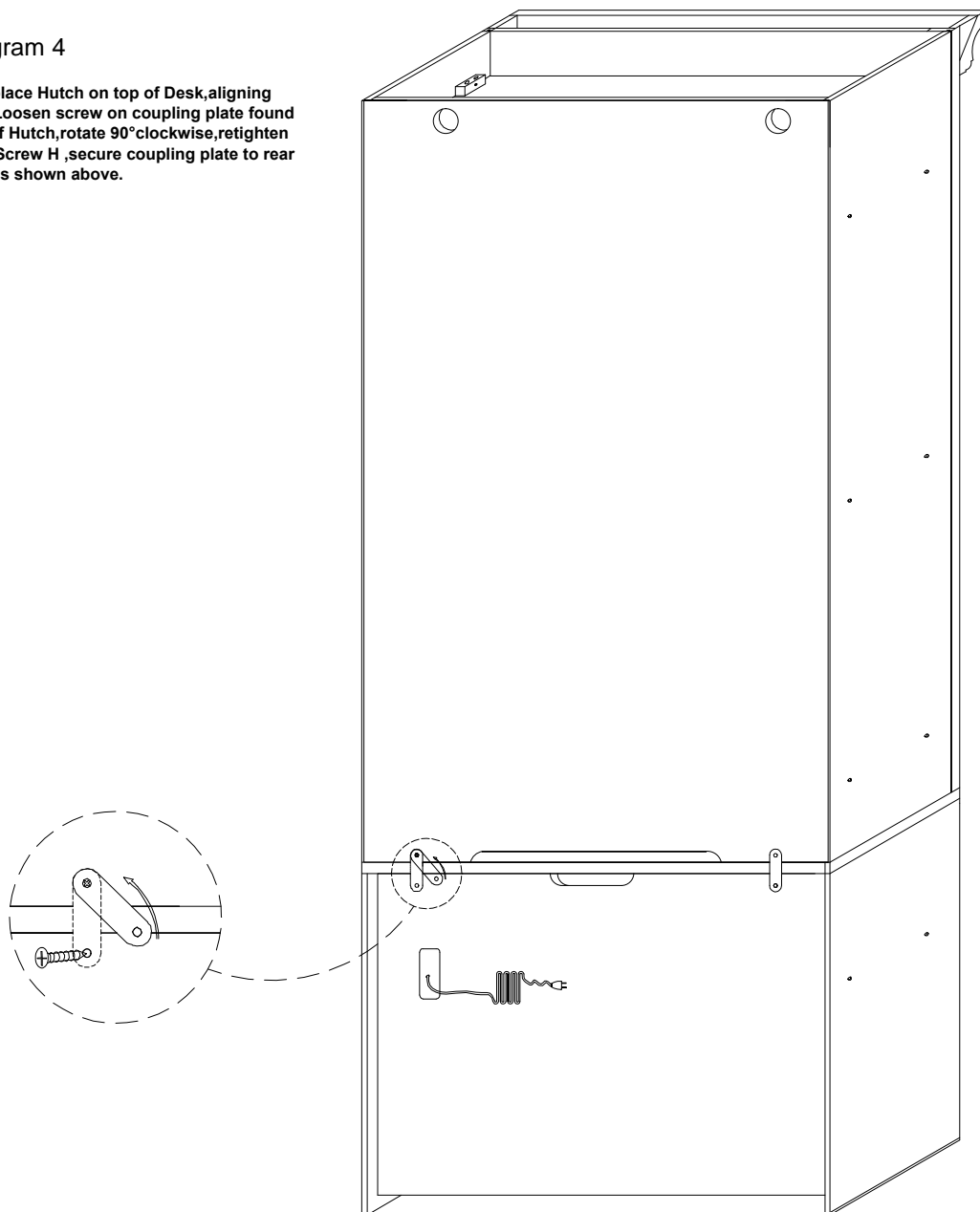
Description:LIBRARY HUTCH/DESK PH 326B

211108

NO	Description	Sketch	Q'TY	NO	Description	Sketch	Q'TY
A	Allen Wrench 4mm		1	H	Bolt Ø1/4"*1-5/8"		2
B	Allen Wrench 2.5mm		1	I	Decoration Bolt Cap		2
C	Ladder Rail Coupler		1	J	Allen Wrench 4mm For Electric Drill		1
D	Ladder Rail Finial		2	K	Connector Bolt Ø2.5mm		2
E	Wall Strap		1	L	Wire buckle		2
F	Connector Bolt Ø1/4"*1"		4	M	Screw M6*3/8"		2
G	Connector Cap Ø1/4"*5/8"		4				

Diagram 4

4. Carefully place Hutch on top of Desk, aligning rear corners. Loosen screw on coupling plate found on the back of Hutch, rotate 90° clockwise, retighten screw. Using Screw H, secure coupling plate to rear of Desk Top as shown above.





Parker House
FURNITURE

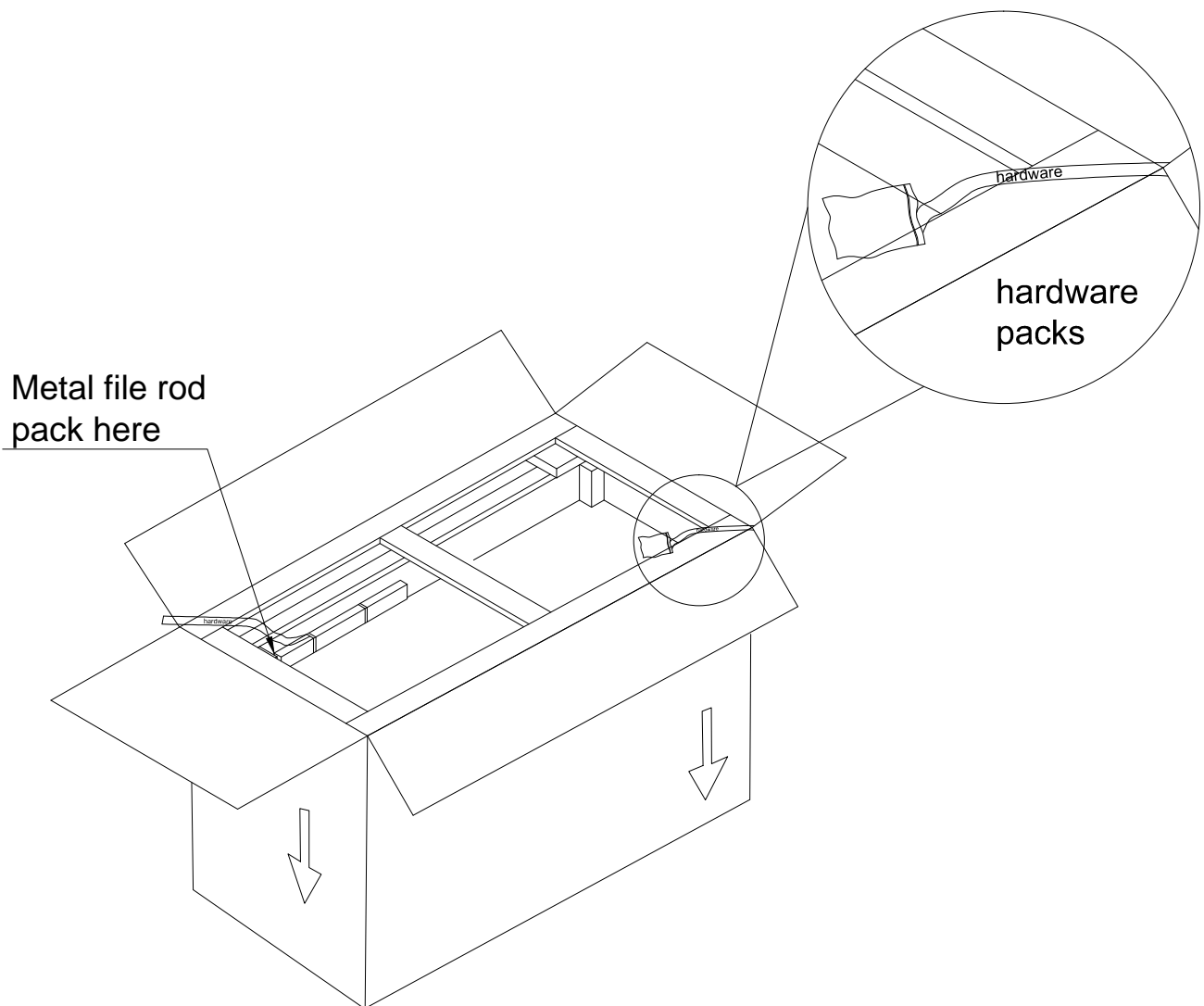
Assembly Instruction

Item NO:PRO#476

Description:LATERAL FILE W/FINISHED BACK PH 326B

211108

Components and Hardware package location diagram





Parker House
FURNITURE

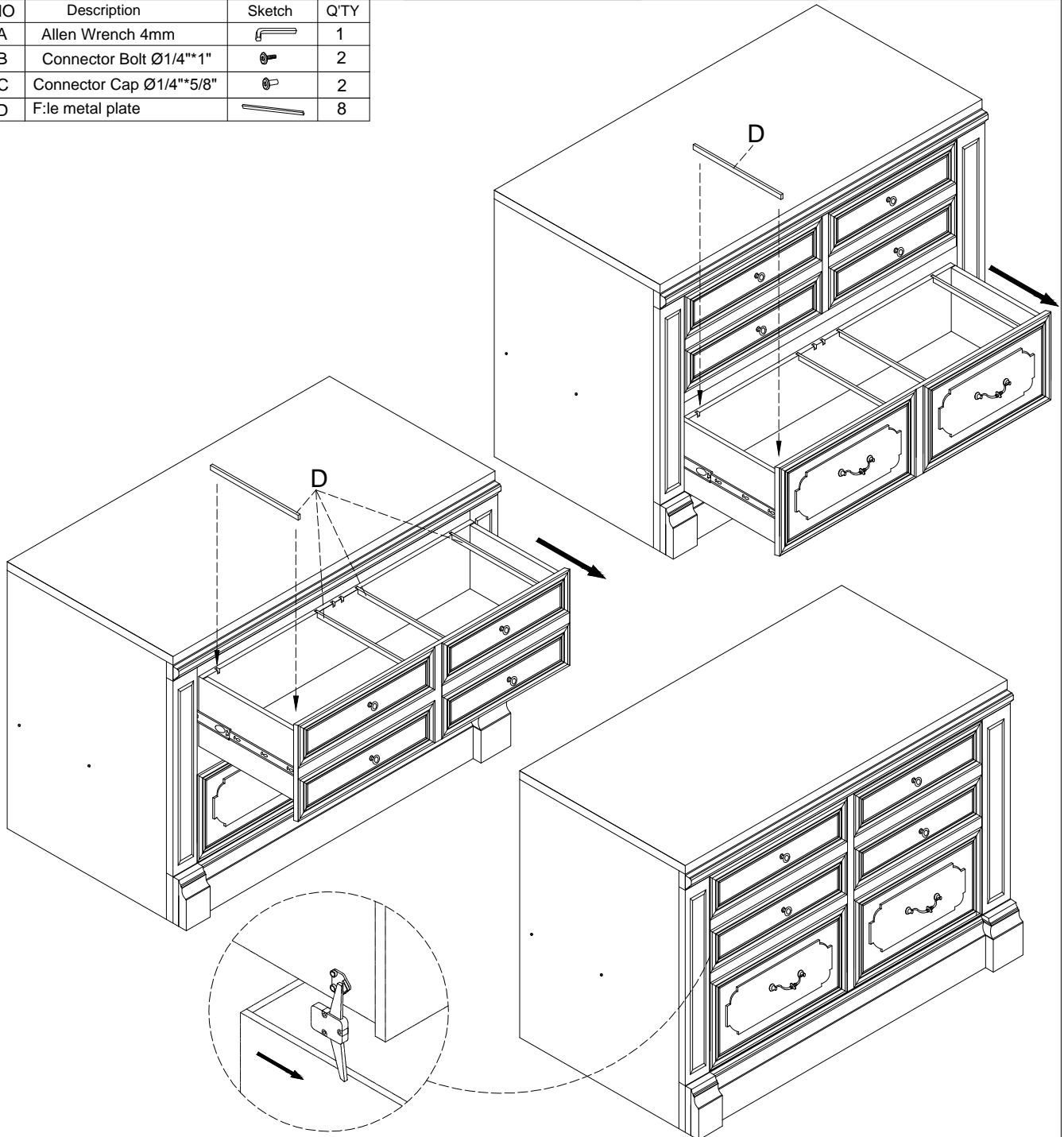
Assembly Instruction

Item NO:PRO#476

Description:LATERAL FILE W/FINISHED BACK PH 326B

211108

NO	Description	Sketch	QTY
A	Allen Wrench 4mm		1
B	Connector Bolt $\varnothing 1/4 \times 1$ "		2
C	Connector Cap $\varnothing 1/4 \times 5/8$ "		2
D	File metal plate		8



This furniture is equipped with safety hardware to prevent both drawers from being opened at the same time, to prevent the cabinet from tipping forward. Please do not try to override this feature and completely close one drawer before opening the other.

The levelers in the bottom of the Bun Feet can be adjusted if necessary to compensate for uneven flooring.



Parker House
FURNITURE

Assembly Instruction

Item NO:PRO#476

Description:LATERAL FILE W/FINISHED BACK PH 326B
File Cabinet Set-Up

FILE CABINET SET-UP

This file cabinet has safety hardware installed to prevent both drawers from being opened at the same time, which minimizes the risk of the file cabinet accidentally tipping forward, possibly causing damage or personal injury. To properly set-up and use this file cabinet there are a few things that must be checked or steps performed before loading drawers with files and using. It is imperative that a file cabinet be level for the drawers and anti-tip interlock system to work properly. Please read this entire document before loading files into drawers. After the file cabinet has been set-up and being used, if it becomes necessary to move the file cabinet to another location, to prevent excessive stress on the cabinet, all files must be removed from the drawers and the drawers locked, if so equipped.

Never attempt to open both drawers at the same time because damage to the file cabinet or drawer interlock mechanism can occur and cause the file cabinet to be unsafe. The drawers must be fully closed for the anti-tip mechanism to be in a 'neutral' position and allow either drawer to be opened. Some file cabinet models are equipped with key-locks. If neither drawer will open easily, make sure the drawers are not key-locked.

LEVELING

Lateral File Cabinets are equipped with levelers underneath the front corners which can be adjusted enough to level most cabinets. When we refer to 'level' we are not necessarily meaning exactly 'level to the world', but level within limits to allow proper function of the drawers. The preferred tool to use would be a small bubble-type level if available, or for an acceptable alternative see below. Various floor coverings also have differing effects on set-up and long-term operation. For instance, if the file cabinet is placed on carpet, the carpet probably has a tack strip underneath at the edge next to a wall, which will raise the back of the file cabinet, which can cause the drawers to automatically try to open. This must be corrected with the levelers under the front of the cabinet.

After moving the file cabinet to its final location in the room, check to see if the file cabinet is level. Place the level left-to-right along the front edge of the cabinet. Very few floors will be out-of-level enough in this direction to cause problems, but if necessary, tilt the file cabinet back slightly and locate the levelers underneath the front corners and adjust as necessary. Place the level on the top, near the middle of the cabinet, going front-to-back. Now, the front of the cabinet must actually be slightly out-of-level, approximately 1/8" to 1/4" higher in the front than the back of the cabinet, to help hold the drawers shut when closed.

If a bubble level is not available, a suitable alternative is to use a round pen or pencil. Place the pencil pointed front-to-back on the cabinet top. Push the pencil slightly one direction and then the other. The pencil should not continue to roll left-to-right across the cabinet. Place the pencil along the front edge, pushing the pencil slightly, it should continue to roll slowly towards the back of the cabinet. The cabinet is now properly leveled.



Parker House
FURNITURE

Assembly Instruction

Item NO:PRO#476

Description:LATERAL FILE W/FINISHED BACK PH 326B

Steps For Remouing Drawers Equipped
With Anti-Tip Drawer Interlock

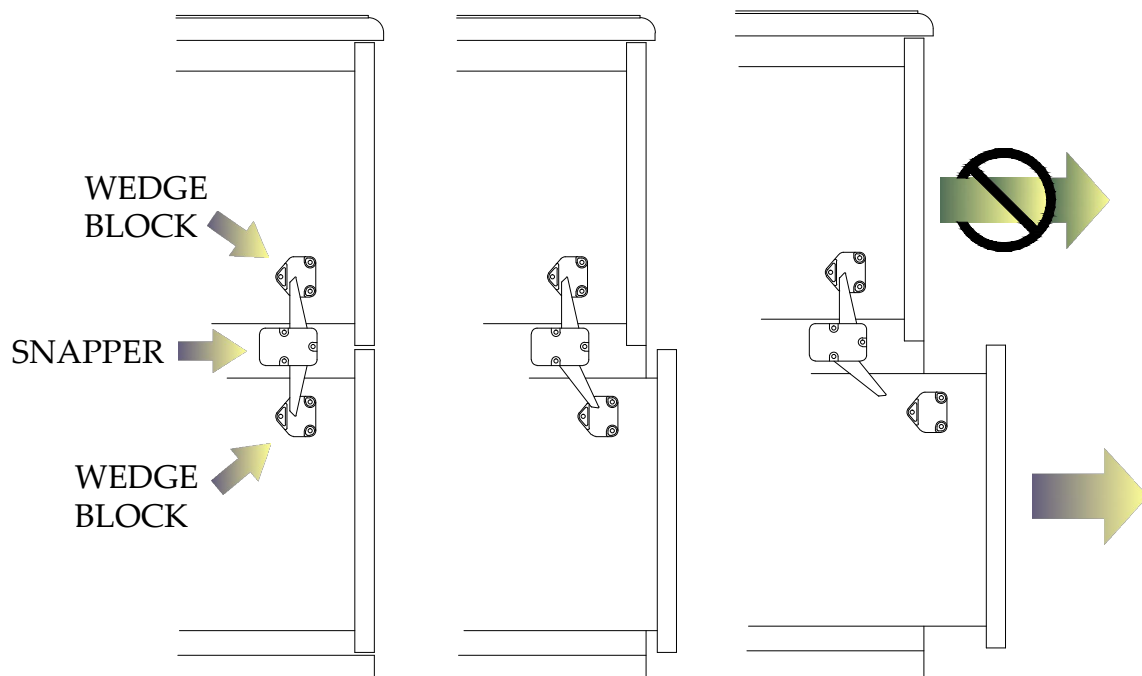
Drawer Anti-Tip Inter-lock Mechanism

The drawer interlock mechanism / wedge blocks have been carefully installed at the factory for proper operation. The mechanism is activated by the black plastic wedge block attached to the side of the drawer. When either drawer is opened, the wedge block pulls the corresponding arm of the mechanism forward, locking the other arm and preventing the other drawer from opening. When the drawer is closed, the wedge block pushes the arm back, allowing either drawer to be opened. The position of all three components relative to each other is critical and must not be modified except by an experienced furniture repair technician if they fail to function properly. In the rare event any of the parts become misaligned and both drawers can be opened at the same time, use extreme care until a repair technician can correct the problem.

Drawer Removal

If a drawer is removed, it must be reinstalled back into the same opening for the anti-tip drawer interlock mechanism to function properly.

When either drawer is pulled open, the wedge block attached on the side of that drawer moves the arm of the snapper forward, locking the arm for the other drawer, thereby preventing the other drawer from being opened. If both drawers must be removed, after pulling the first drawer open and removing, the arm of the snapper that was pulled forward by the first drawer must be pushed back to the upright position, which will unlock the arm for the second drawer and allow it to be removed also.





Parker House
FURNITURE

Assembly Instruction

Item NO:PRO#476

Description:LATERAL FILE W/FINISHED BACK PH 326B

211108

NO	Description	Sketch	QTY
A	Allen Wrench 4mm		1
B	Connector Bolt $\varnothing 1/4 \times 1$ "		2
C	Connector Cap $\varnothing 1/4 \times 5/8$ "		2
D	Wire buckle		2
E	Screw M6*3/8"		2

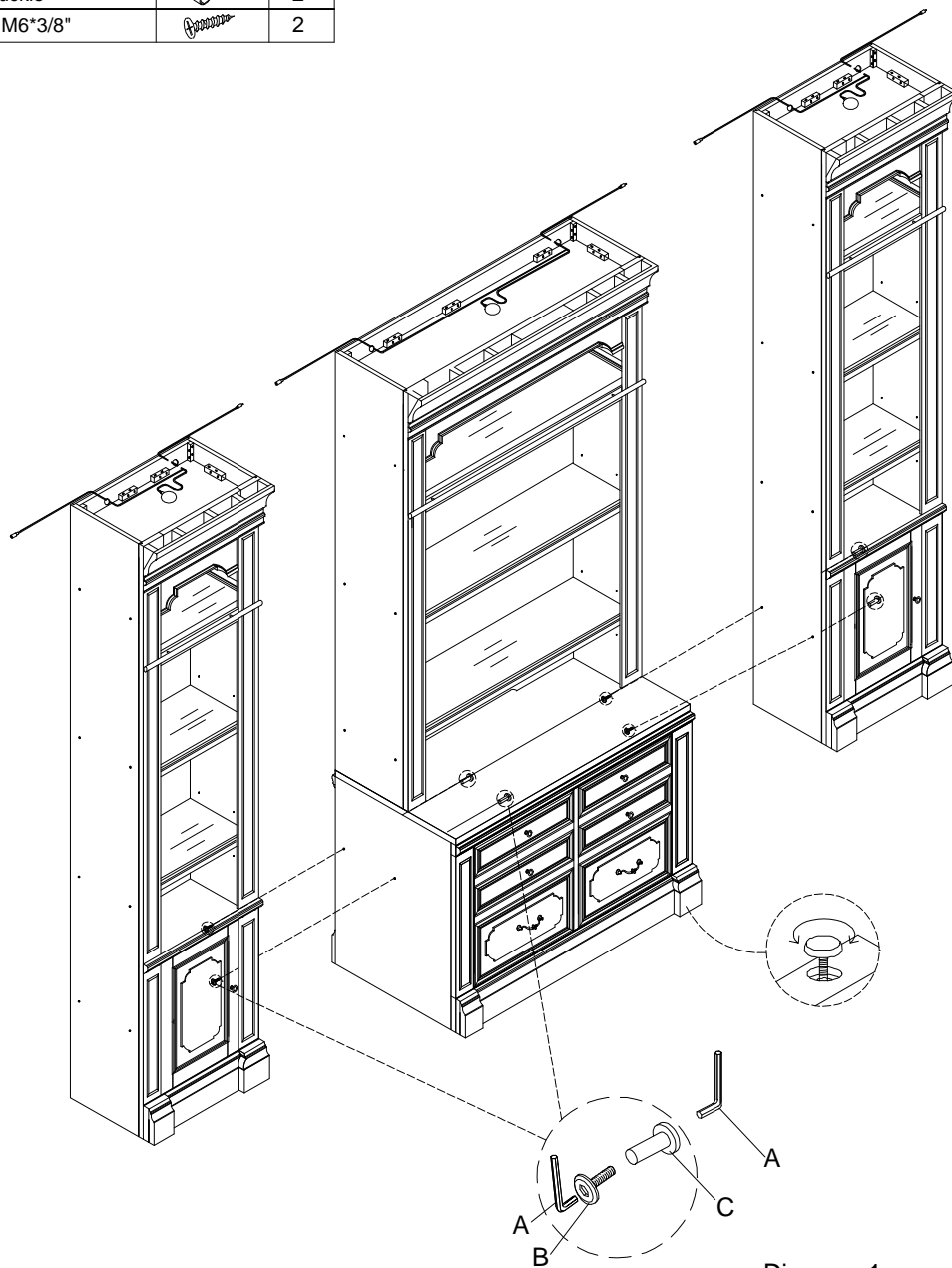


Diagram 1

**Align and connect cabinets with Connector Bolt B and Connector Cap C.
See Diagram 1.**



Parker House
FURNITURE

Assembly Instruction

Item NO:PRO#495

Description:LIBRARY LADDER PH 326B

211108

Secure Library Ladder to ladder rail system, ensuring Library Ladder top wheels slide across ladder rail system.

