

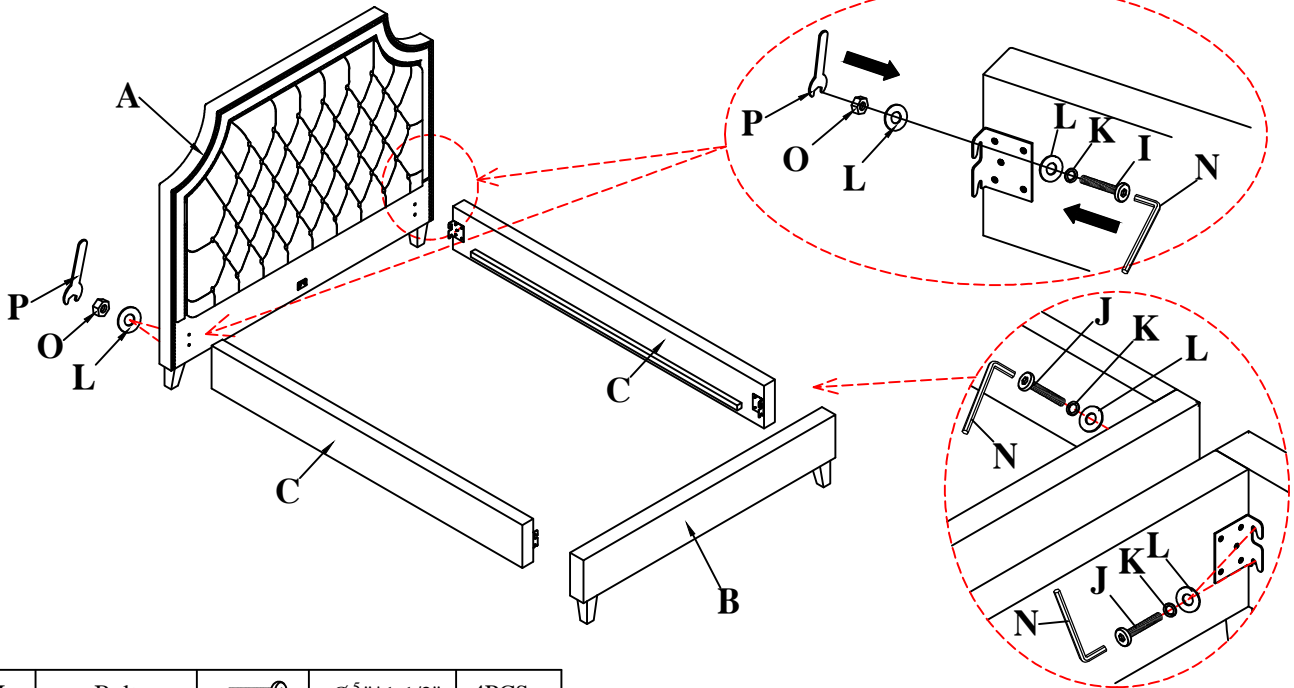
ASSEMBLY INSTRUCTIONS




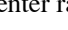
Item No :BJAS#8000/BJAS#9000/BJAS#9500



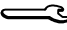
Description : JASMINE QUEEN/KING/CAL.KING BED

Thank you for purchasing this quality product. Be sure to check all packing material carefully for small parts that may have come loose inside the carton during shipment.

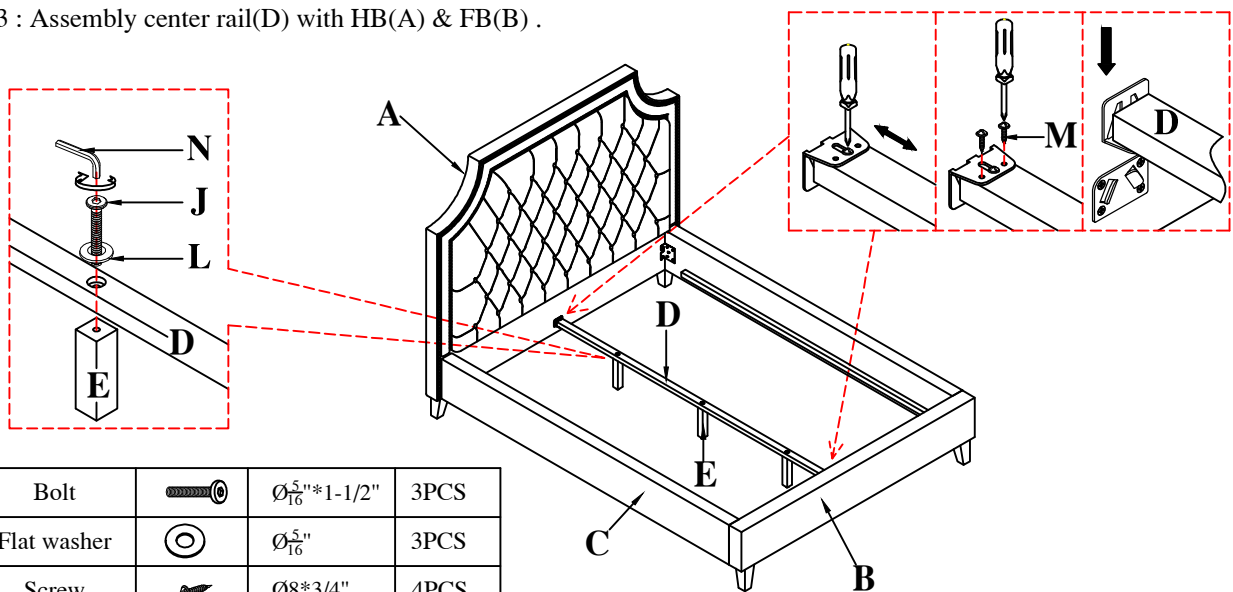
Step 2 : Assembly side rail(C) with HB(A) & FB(B).




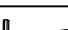


J	Bolt		$\text{Ø}\frac{5}{16}'' * 1-1/2''$	4PCS
K	Spring washer		$\text{Ø}\frac{5}{16}''$	8PCS
L	Flat washer		$\text{Ø}\frac{5}{16}''$	12PCS
N	Allen key		M4	1PC

I	Bolt		$\text{Ø}\frac{5}{16}'' * 2-1/2''$	4PCS
O	Nut		$\text{Ø}\frac{5}{16}''$	4PCS
P	Spanner		M12	1PC

Step 3 : Assembly center rail(D) with HB(A) & FB(B) .



J	Bolt		$\text{Ø}\frac{5}{16}'' * 1-1/2''$	3PCS
L	Flat washer		$\text{Ø}\frac{5}{16}''$	3PCS
M	Screw		$\text{Ø}8 * 3/4''$	4PCS
N	Allen key		M4	1PC