

# FreeMotion

Motion Furniture...Unplugged

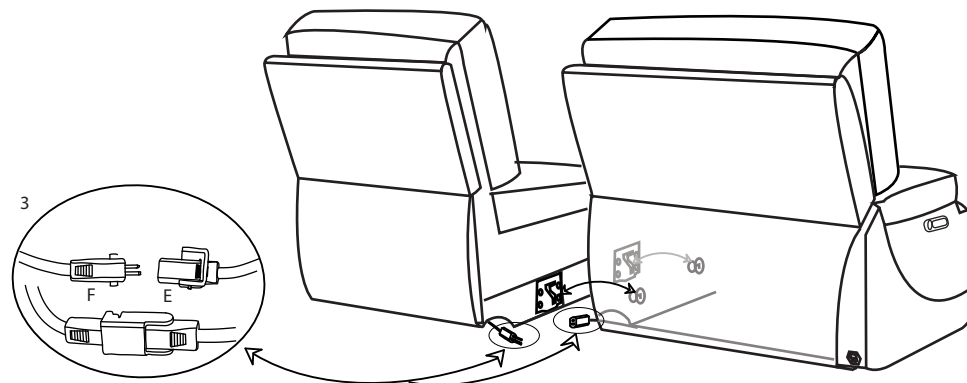
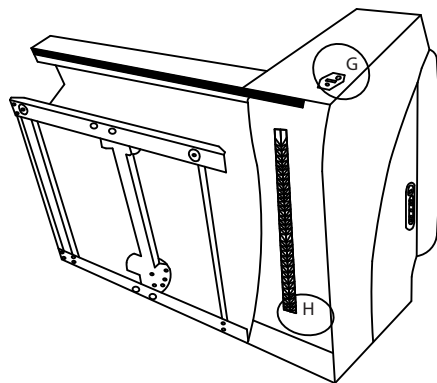
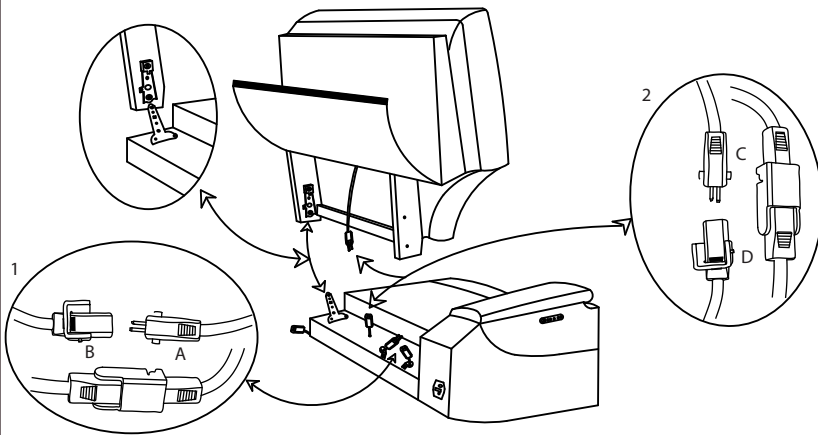


## Assembly Instructions for Whitman Modular powered by FreeMotion

### Parts:

A Battery Output	E Extension Output
B Motor Connection	F Extension Input
C Headrest Output	G Charging Port and Battery Indicator
D Headrest Input	H Battery and Bracket Zipper Access

1. LAF recliner, connect Battery Output (A) to Motor Connection (B)
2. All components with power headrest, connect Headrest Output (C) to Headrest Input (D)
3. Connect Extension Output (E) to Extension Input (F) to pass power to next component
4. Adhere back flap to frame for a smooth finished look
5. You may access battery or charging port and battery indicator (G) connection through zipper located under LAF Recliner arm (H). For trouble shooting, please refer to your FreeMotion battery owner's manual or visit [www.freemotionbattery.com](http://www.freemotionbattery.com).



\*\* Final configuration will vary based on components purchased

For further information, including installation videos, please visit [www.freemotionbattery.com](http://www.freemotionbattery.com)

Parker Living  
A Division of Parker House