

FreeMotion

Motion Furniture...Unplugged

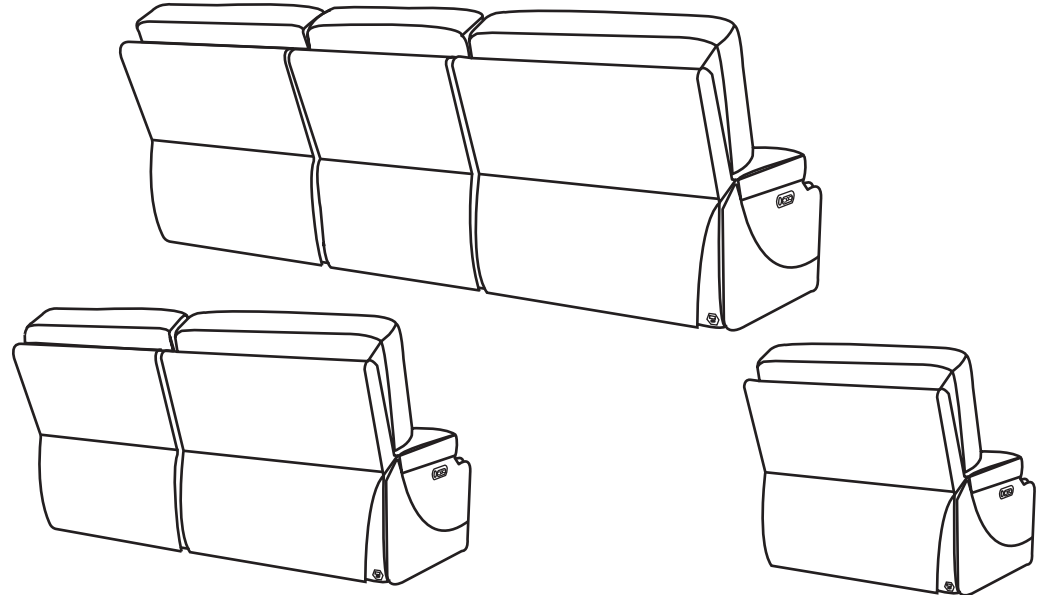
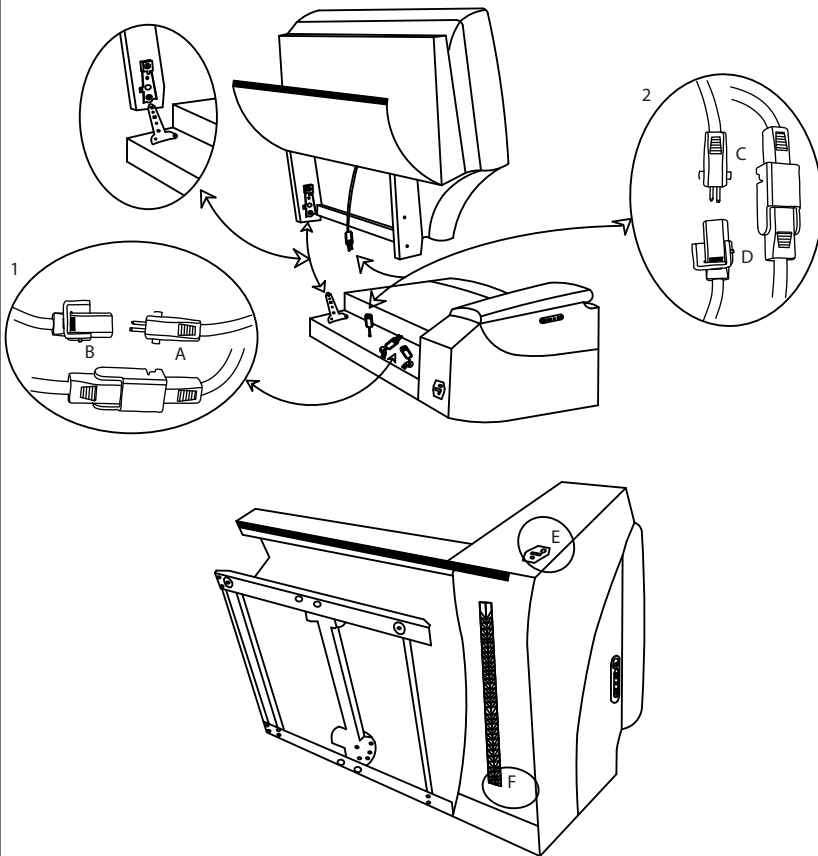


Assembly Instructions for Whitman Sofa Group powered by FreeMotion

Parts:

A Battery Output	D Headrest Input
B Motor Connection	E Charging Port and Battery Indicator
C Headrest Output	F Battery and Bracket Zipper Access

1. Connect Battery Output (A) to Motor Connection (B)
2. All seats with power headrest, connect Headrest Output (C) to Headrest Input (D)
3. Adhere back flap to frame for a smooth finished look
4. You may access battery or charging port and battery indicator (E) connection through zipper located under LAF Recliner arm (F). For trouble shooting, please refer to your FreeMotion battery owner's manual or visit www.freemotionbattery.com.



For further information, including installation videos, please visit www.freemotionbattery.com

Parker Living
A Division of Parker House