

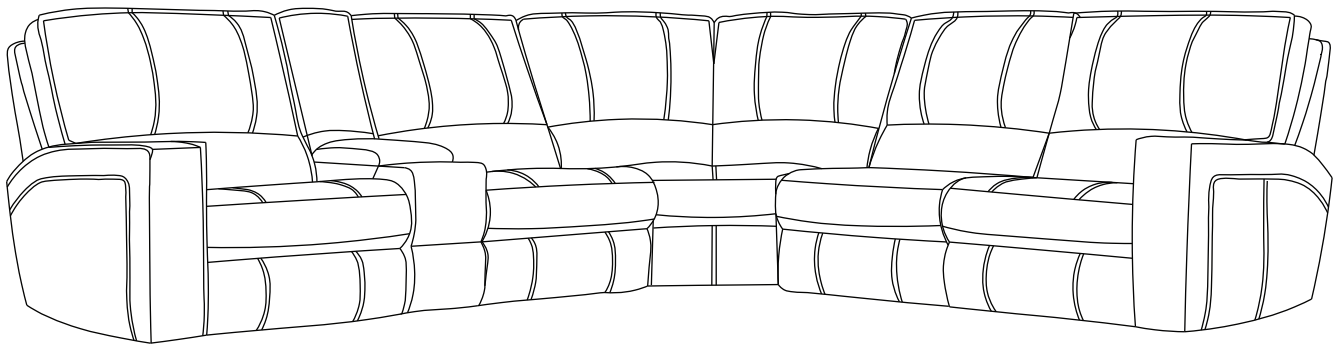


Parker Living®
A Division of Parker House

ROCKFORD COLLECTION

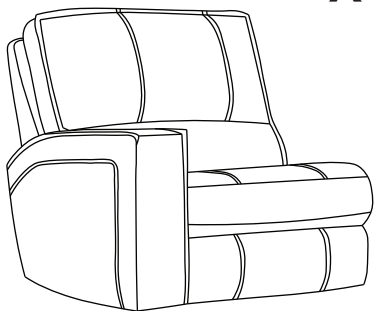
MROC-PACKA
Power Reclining Sectional

ASSEMBLY INSTRUCTIONS NOTICE DE MONTAGE



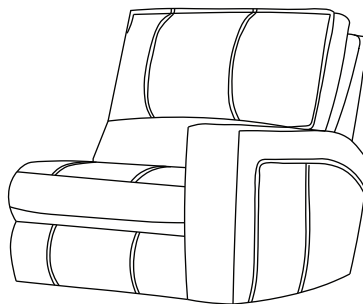
MROC#811LPH

x1



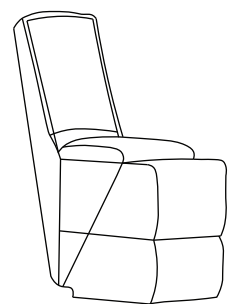
MROC#811RPH

x1



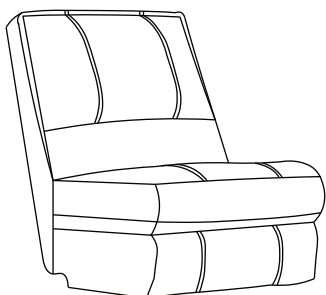
MROC#860

x1



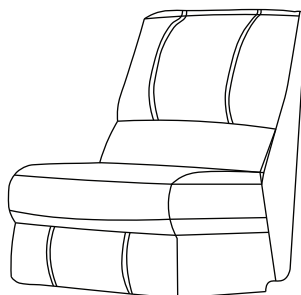
MROC#810P

x1



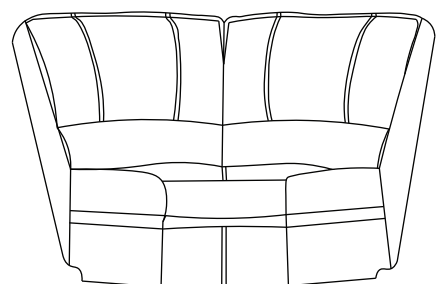
MROC#840

x1



MROC#850

x1

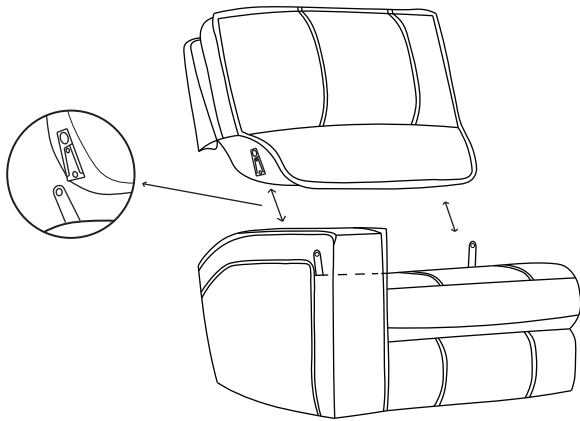


ROCKFORD COLLECTION MROC-PACKA

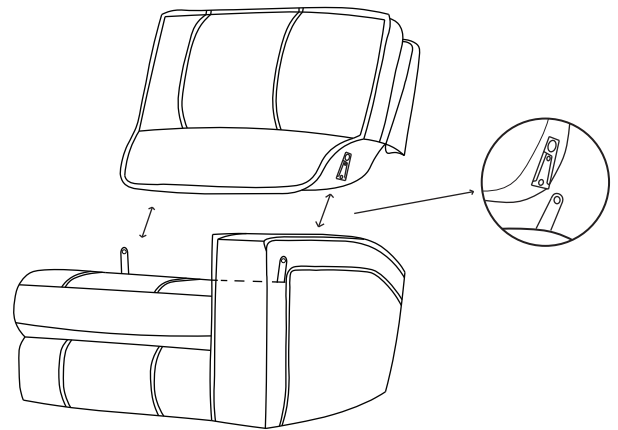
Step 1

Combine all back pieces to the base.

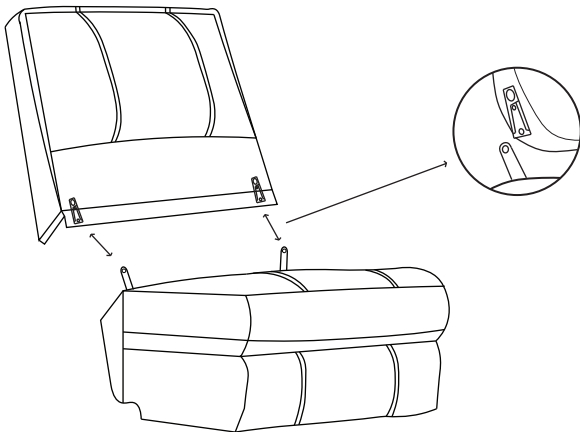
MROC#811LPH



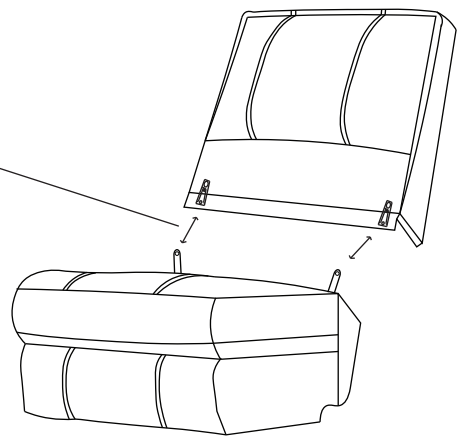
MROC#811RPH



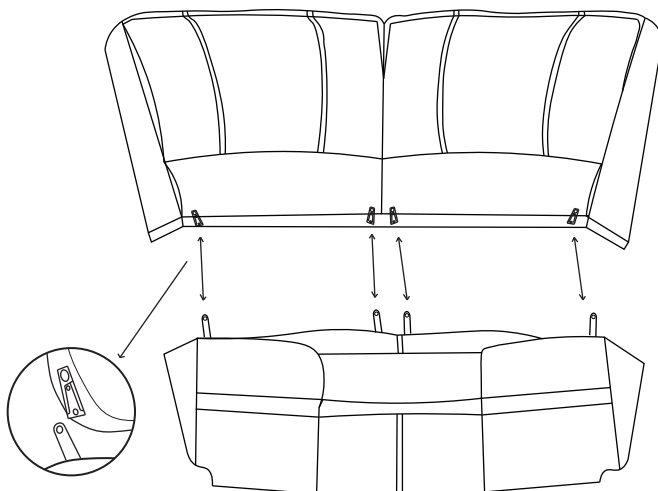
MROC#810P



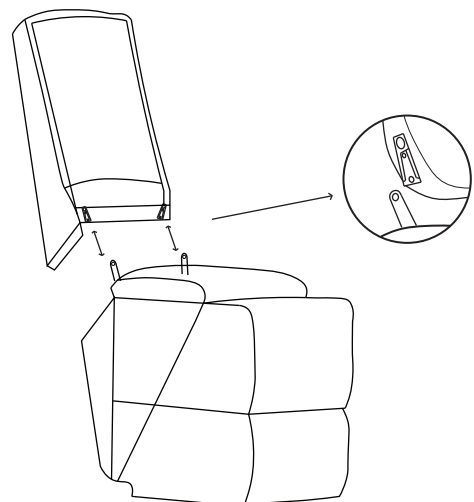
MROC#840



MROC#850



MROC#860

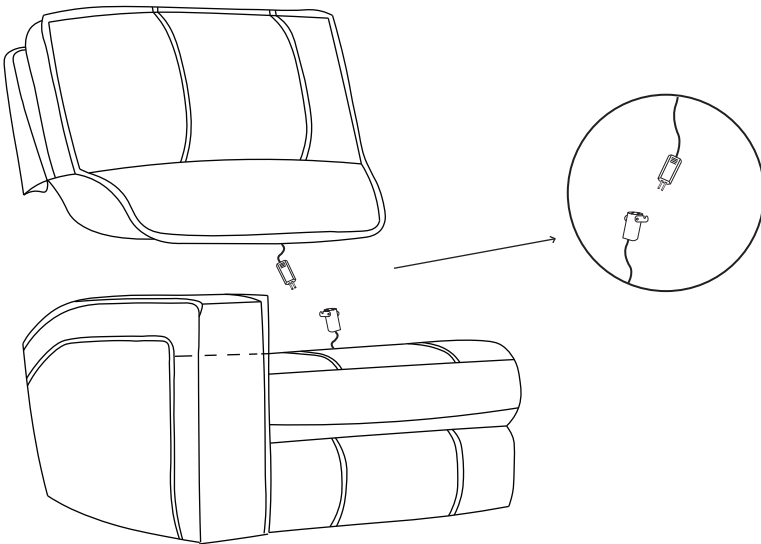


ROCKFORD COLLECTION MROC-PACKA

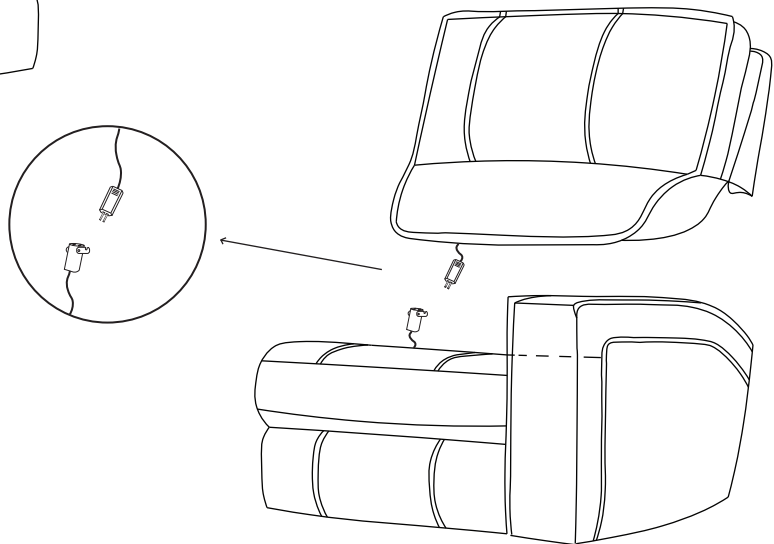
Step 2

Headrest connection

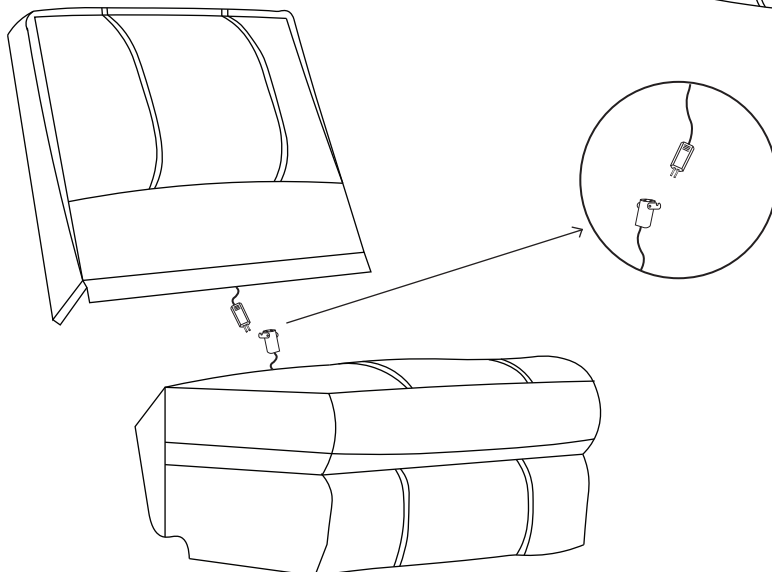
MROC#811LPH



MROC#811RPH

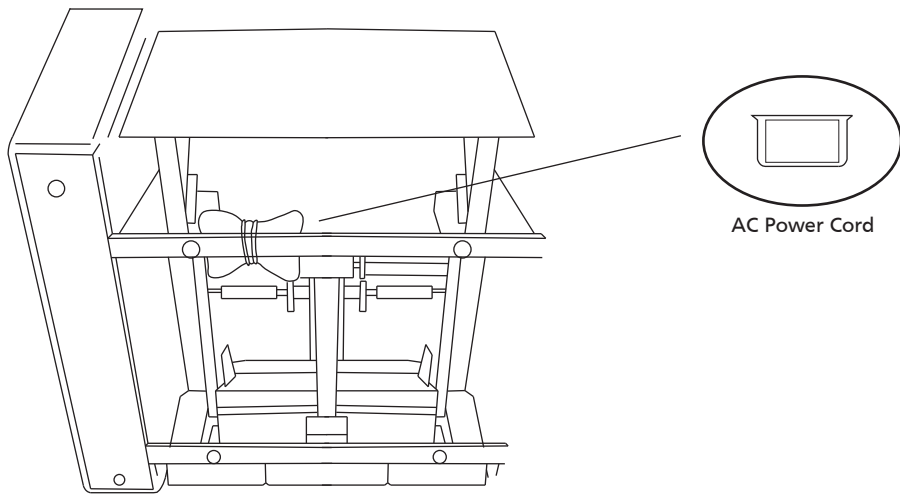


MROC#810P



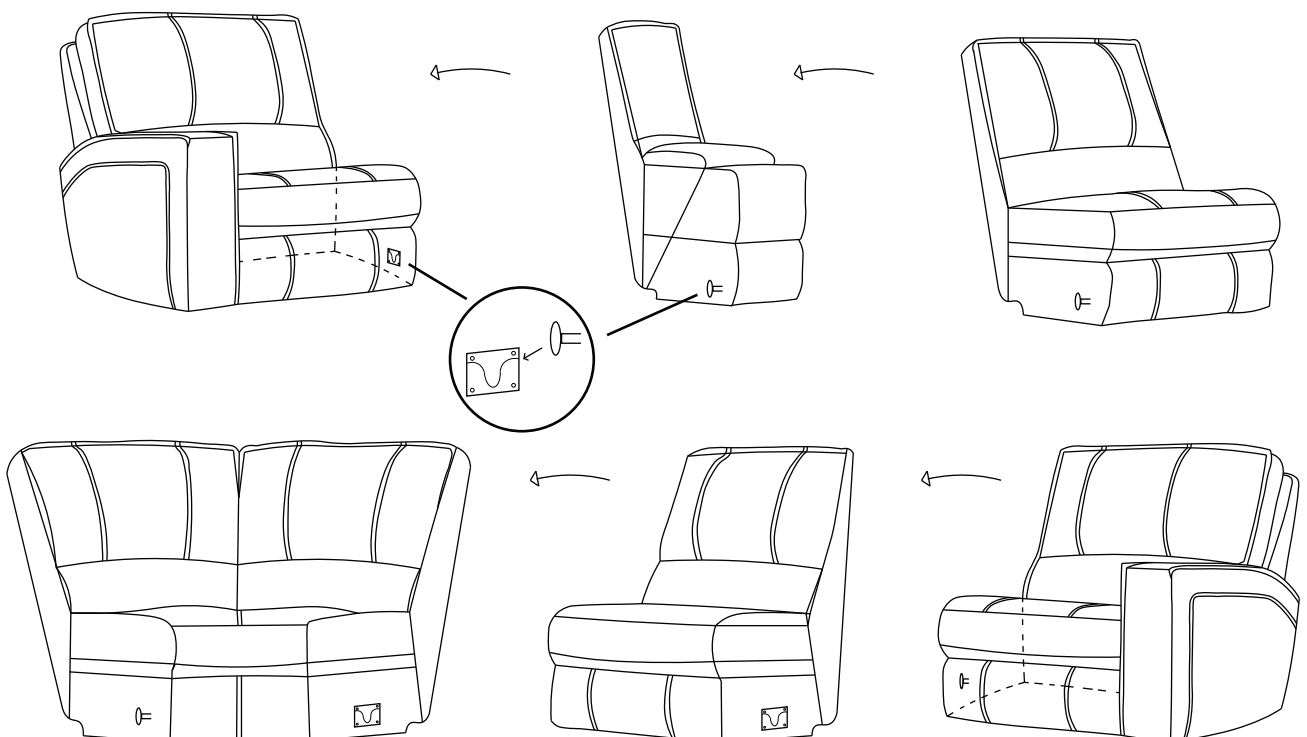
ROCKFORD COLLECTION MROC-PACKA

Step 3



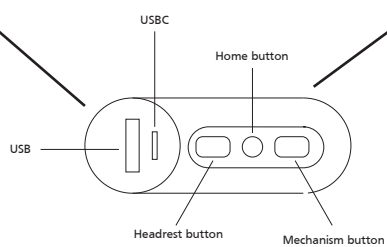
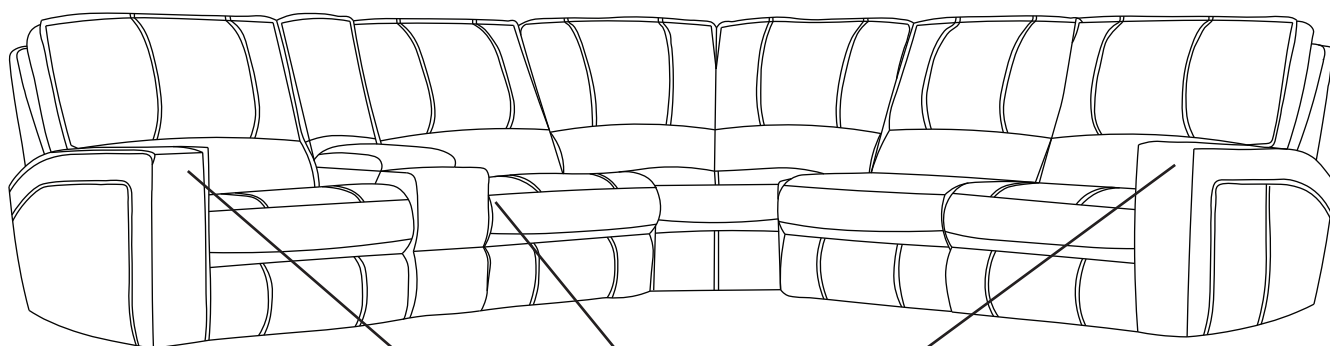
Step 4

Attach each piece of the sectional, from left to right



ROCKFORD COLLECTION MROC-PACKA

Step 5



Power switch inside arm

