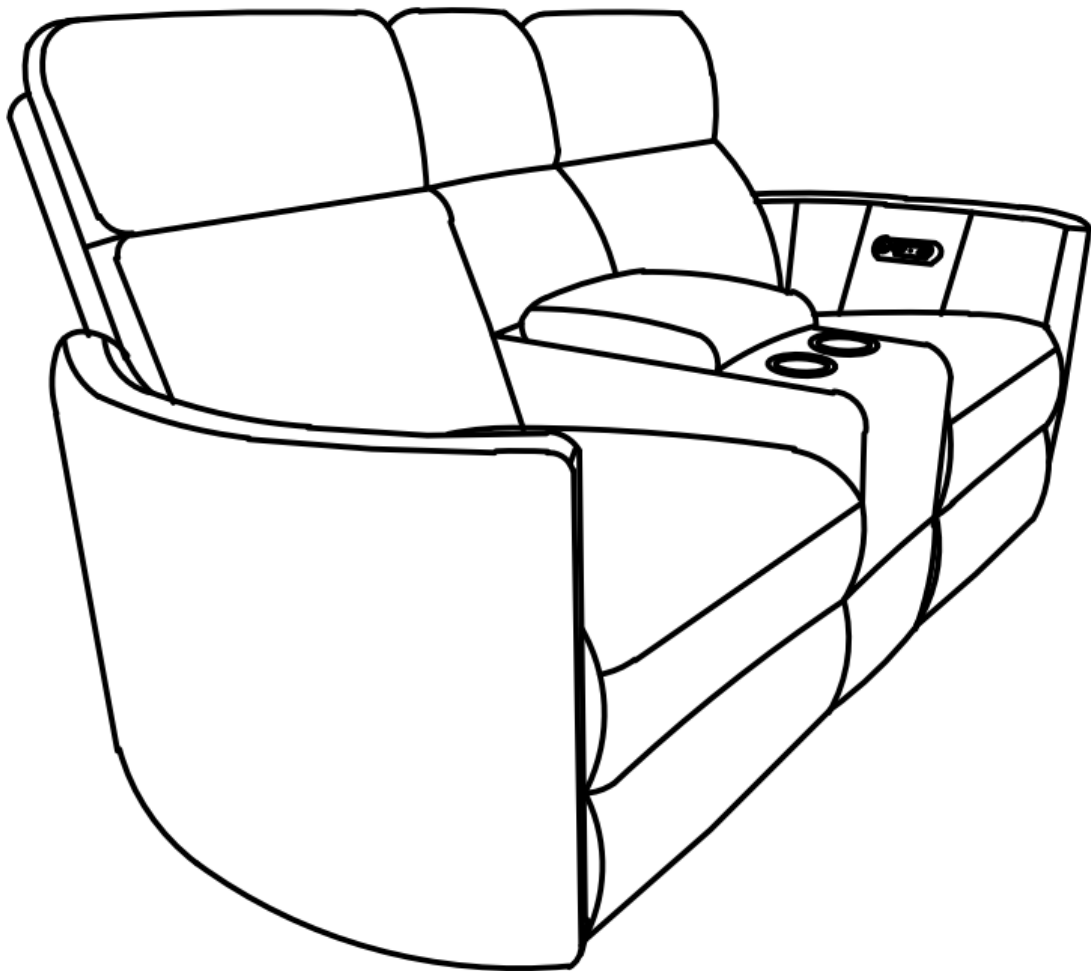


ASSEMBLY INSTRUCTIONS NOTICE INSTRUCCIONES DE INSTALACIÓN

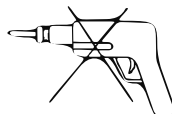
*Please keep these instructions and have the product model# and part# available when requesting a service.

*Conserve estas instrucciones y tenga a mano el número de modelo y el número de pieza del producto al solicitar un servicio



IMPORTANT NOTE

Do not use a power tool to assemble this product as it could damage the thread of the hardware.

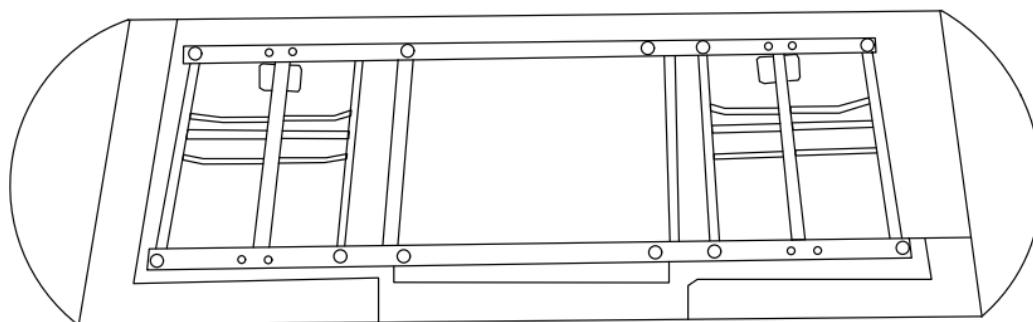
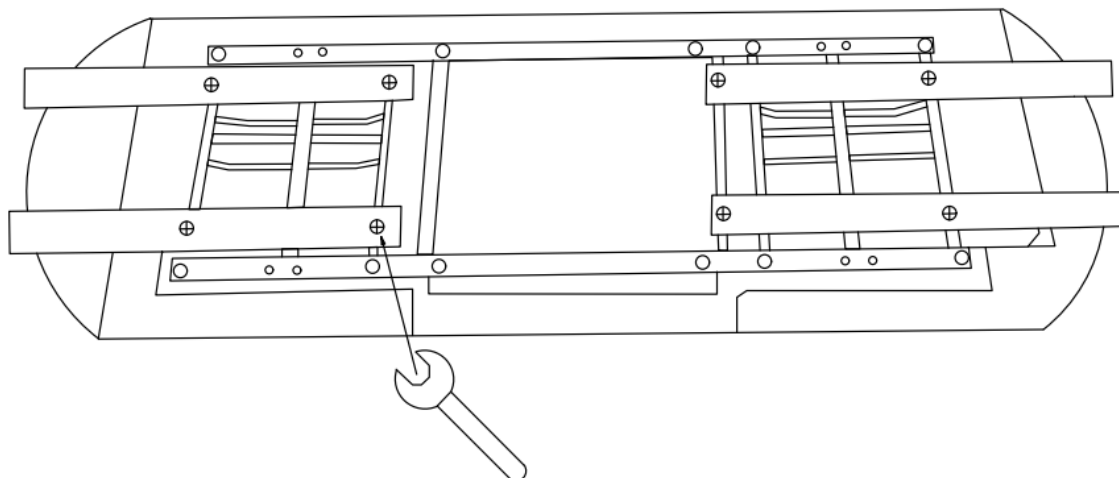


NOTA IMPORTANTE

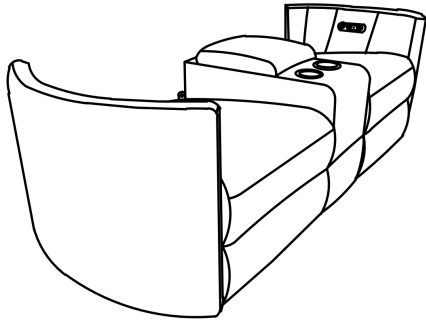
No utilice una herramienta eléctrica para ensamblar este producto, ya que podría dañar la rosca del hardware.

REMOVE THE PLYWOOD

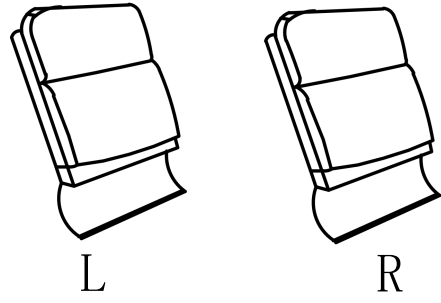
Before removing the product from the carton, detach and remove the plywood from the frame using Wrench (H) as shown in the diagram.



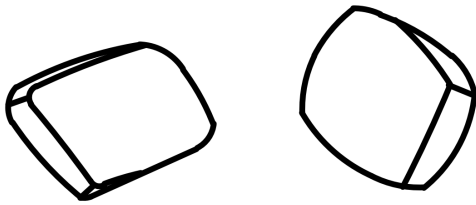
Ax1



Bx2



Cx2

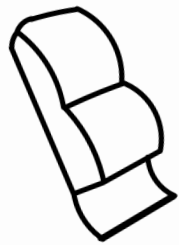


PILLOW

Dx1



Ex1

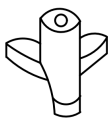


Fx2

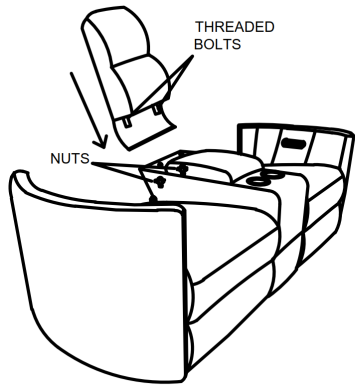


THREADED BOLTS

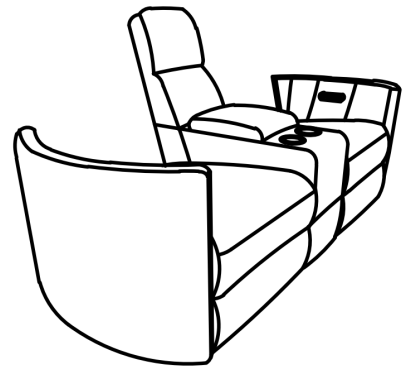
Gx2



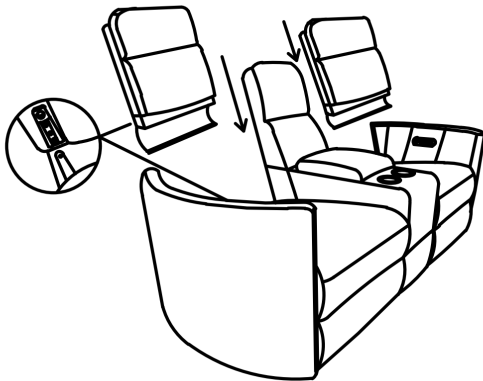
NUTS



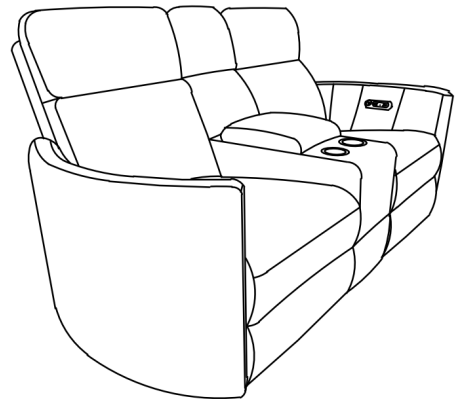
Step 1



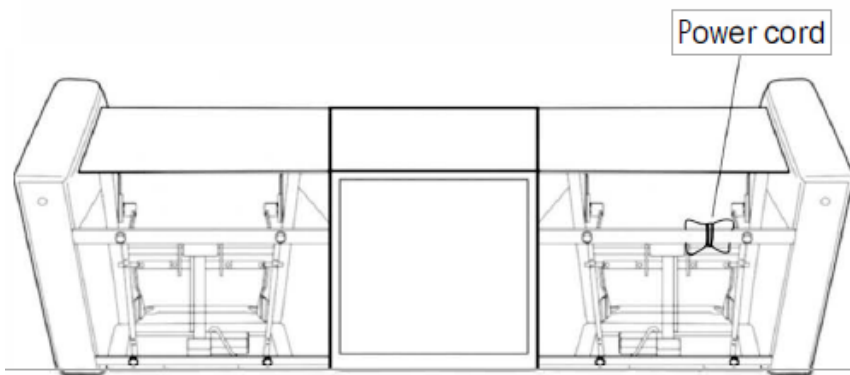
Step 2



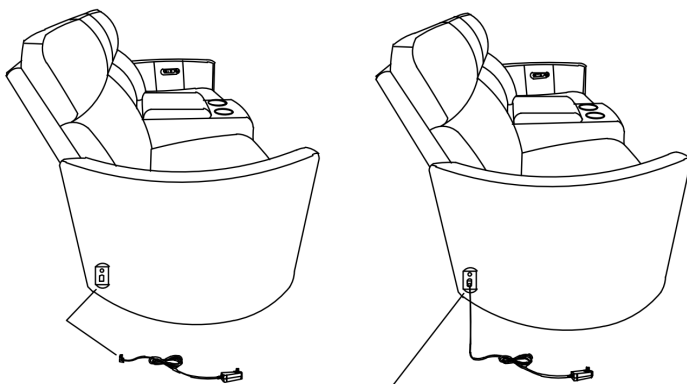
Step 3



Step 4

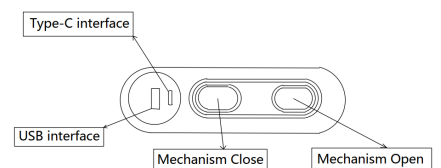


Step 5



Connect the power cord to the power interface.

Step 6



Step 7