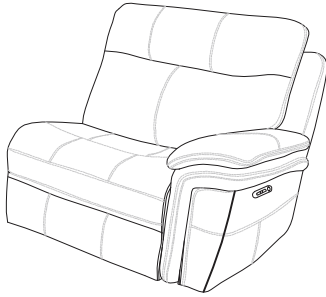




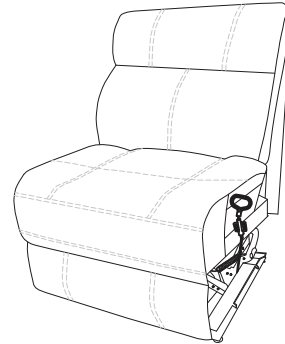
## ASSEMBLY INSTRUCTIONS

\* Please keep these instructions and have the product model # and part # available when requesting a service.

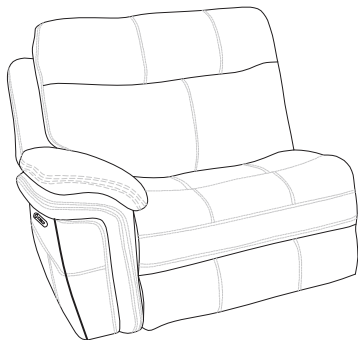
MMA#811RHP - POWER RIGHT ARM



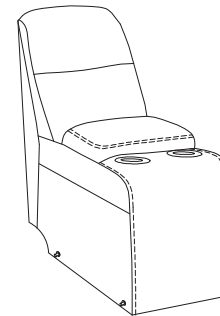
MMA#810 - MANUAL ARMLESS RECLINER



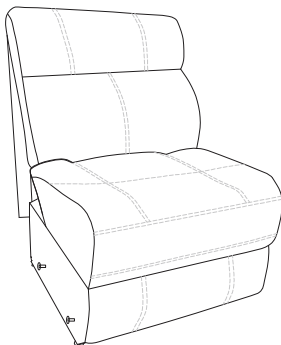
MMA#811LPH - POWER LEFT ARM



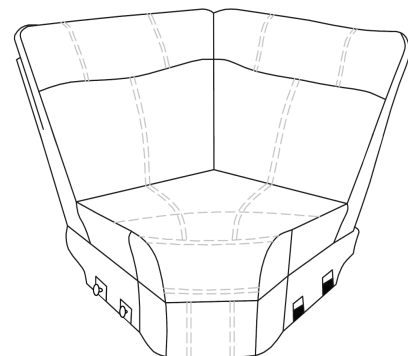
MMA#860 - ENTERTAINMENT CONSOLE



MMA#840 - ARMLESS CHAIR

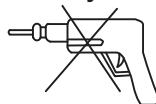


MMA#850 - CORNER WEDGE



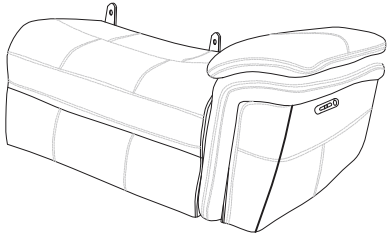
### IMPORTANT NOTE

Do not use a power tool to assemble this product as it could damage the thread of the hardware and affect the solidity/durability of the product.

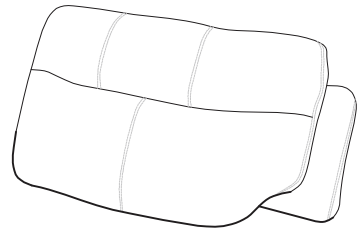


# MASON MODULAR COLLECTION

A x 1

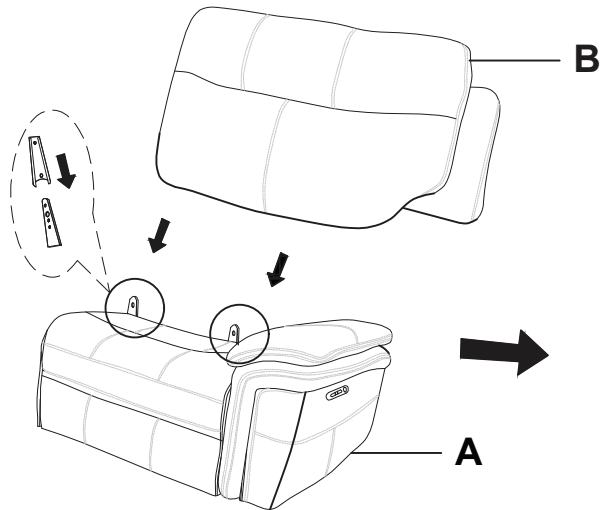


B x 1

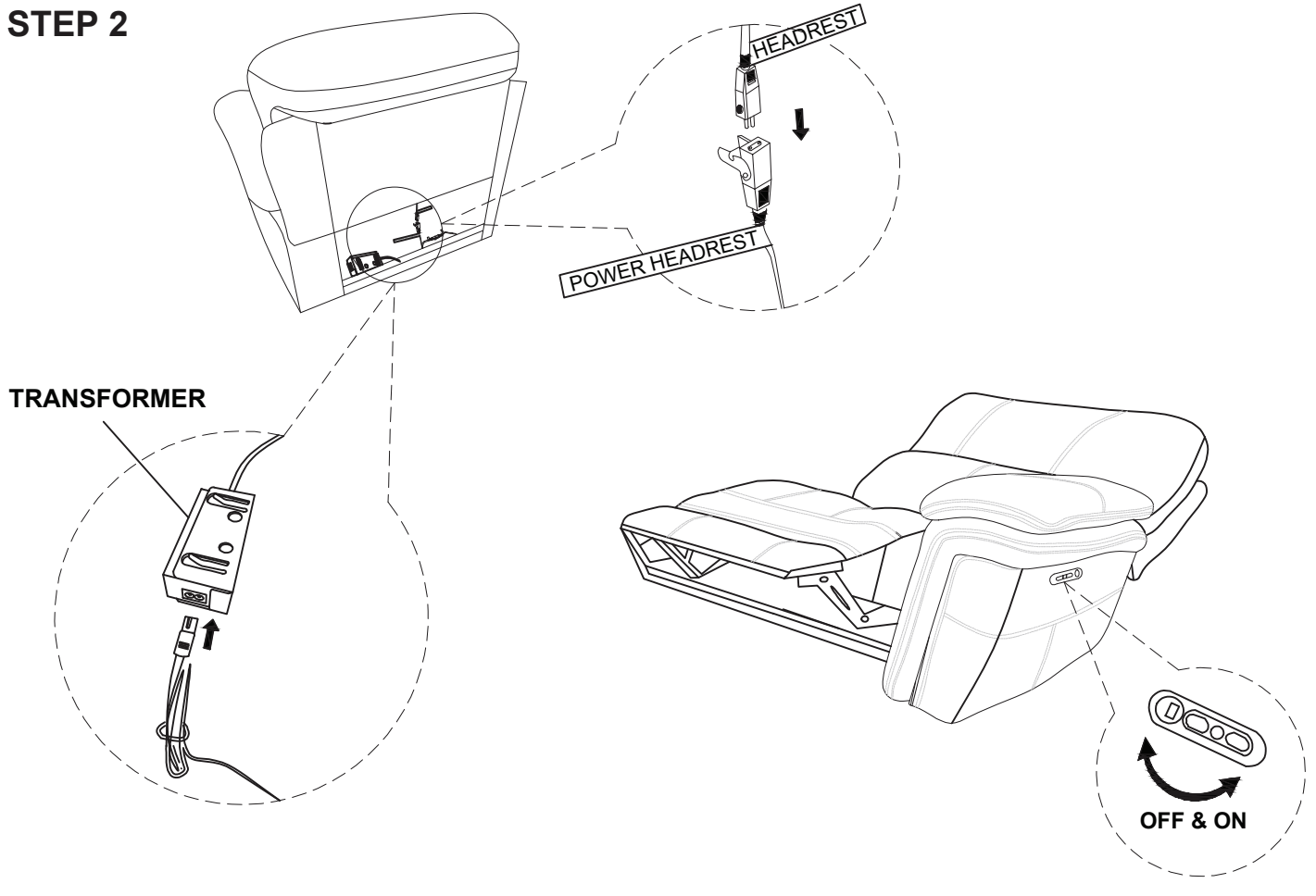


MMA#811RPH - POWER RIGHT ARM

## STEP 1



## STEP 2

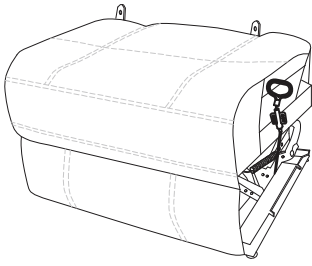


MADE IN VIET NAM

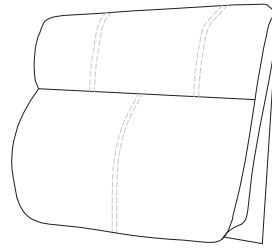
Page 2 of 6

# MASON MODULAR COLLECTION

**C x 1**



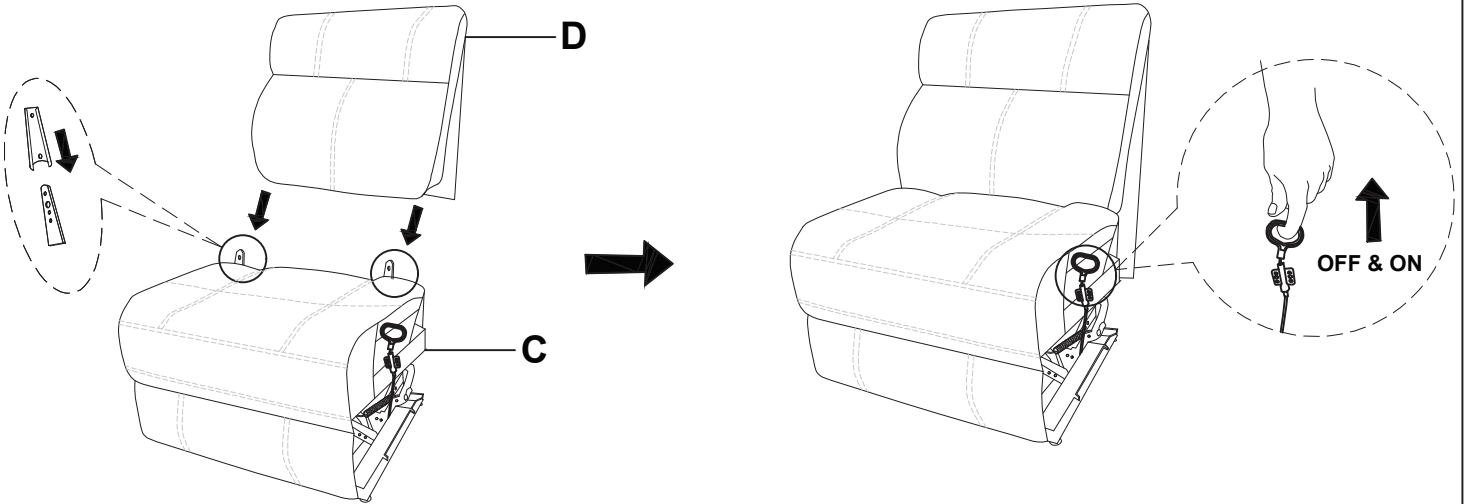
**D x 1**



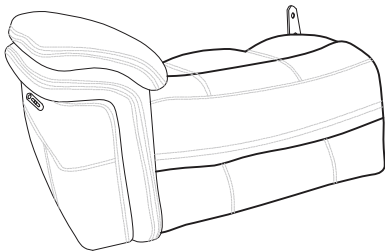
## MMA#810 - MANUAL ARMLESS RECLINER

**STEP 3**

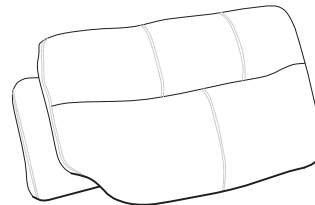
**STEP 4**



**E x 1**

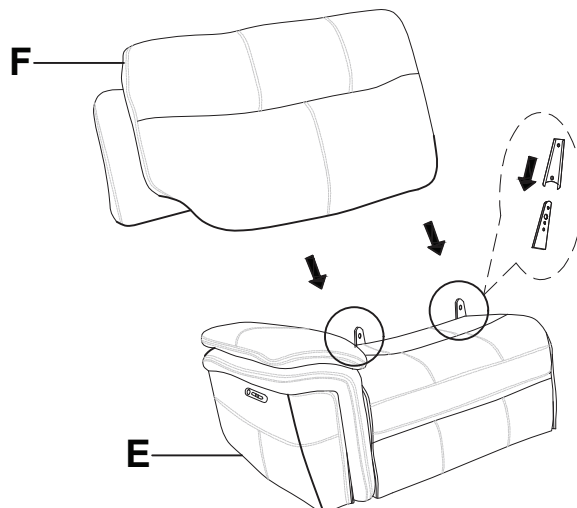


**F x 1**



## MMA#811LPH - POWER LEFT ARM

**STEP 5**

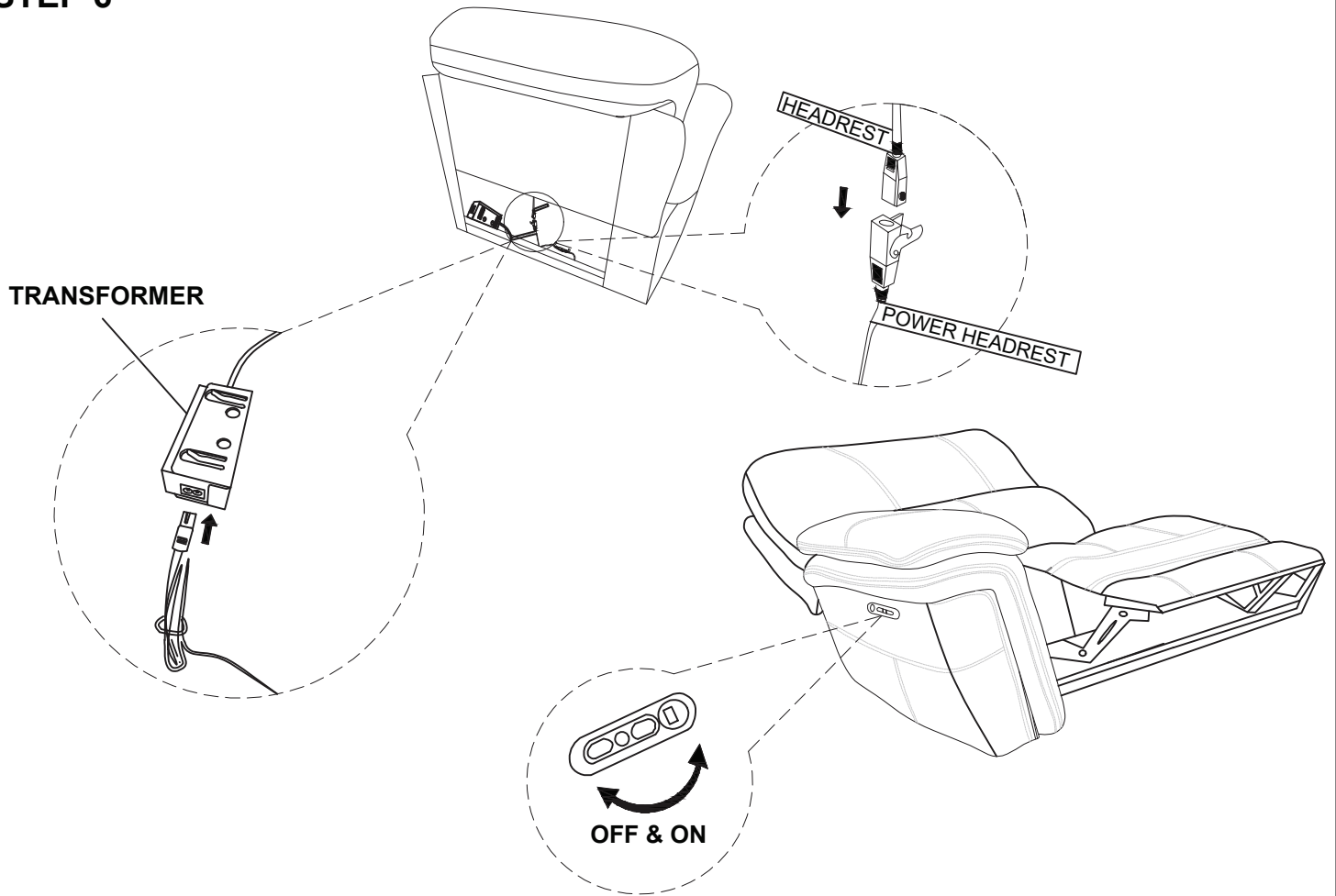


MADE IN VIET NAM

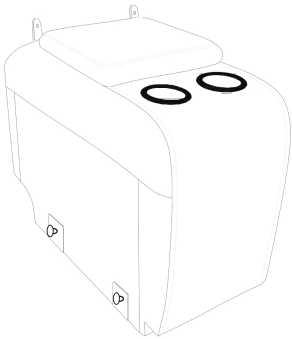
Page 3 of 6

# MASON MODULAR COLLECTION

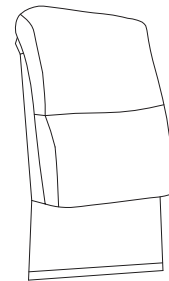
## STEP 6



**G x 1**

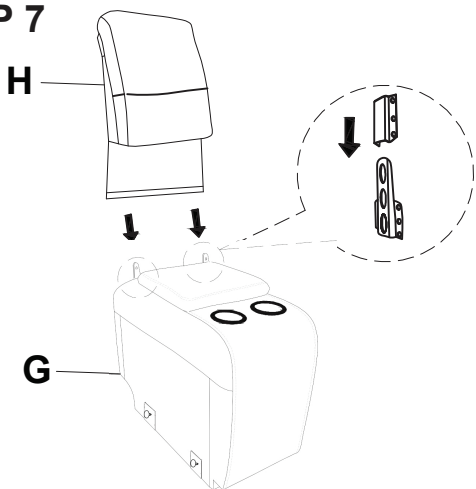


**H x 1**



**MMA#860 - ENTERTAINMENT CONSOLE**

## STEP 7



## STEP 8

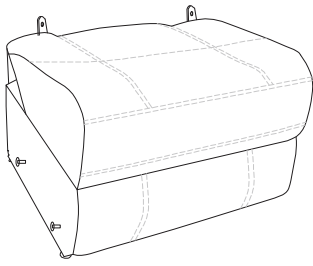


**MADE IN VIET NAM**

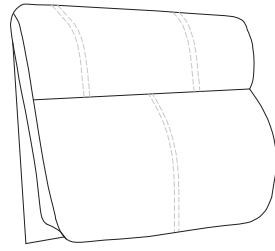
**Page 4 of 6**

# MASON MODULAR COLLECTION

I x 1



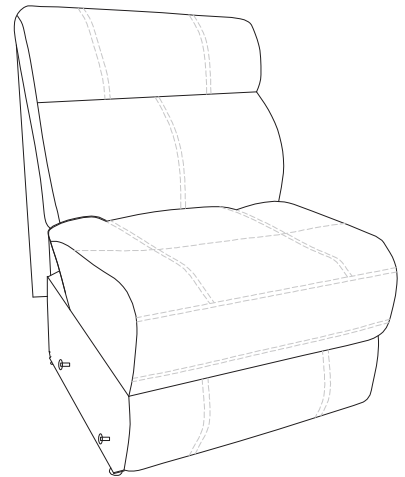
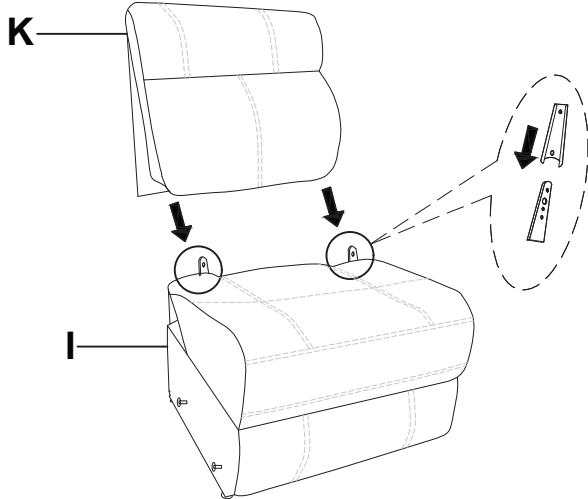
K x 1



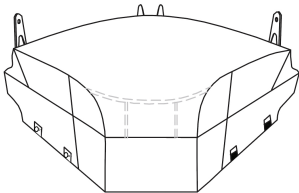
## MMA#840 - ARMLESS CHAIR

STEP 9

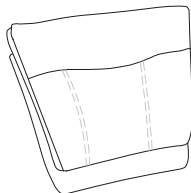
STEP 10



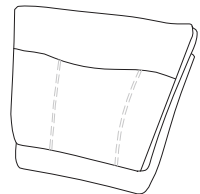
L x 1



M x 1

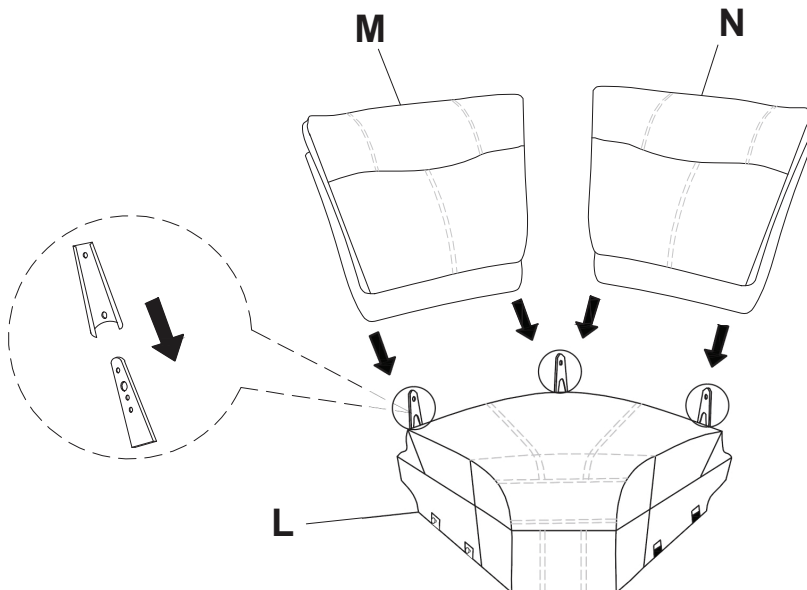


N x 1



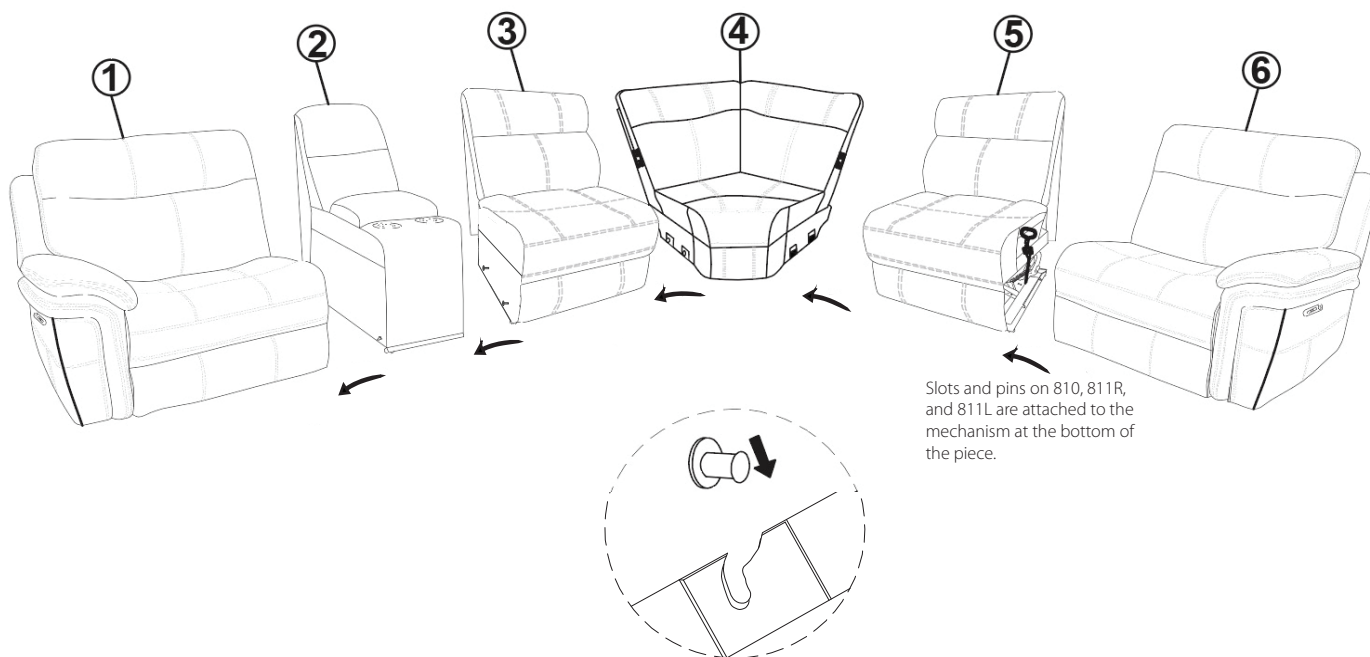
## MMA#850 - CORNER WEDGE

STEP 11



# MASON MODULAR COLLECTION

## STEP 12



**To connect your sectional pieces, start with the piece on the left side when facing the sectional(#1). Hook the pins of the piece you want next to it into the slots at the bottom of item #1, continue connecting the remaining sectional pieces in order. You can configure the pieces in many ways. To disconnect, go in the reverse direction, beginning with #6.**

## COMPLETED

