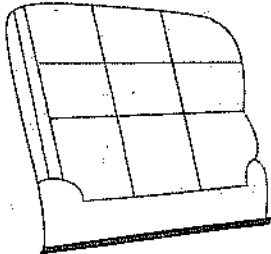
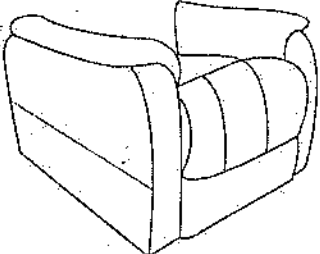


ASSEMBLY INSTRUCTION

LIFT RECLINER

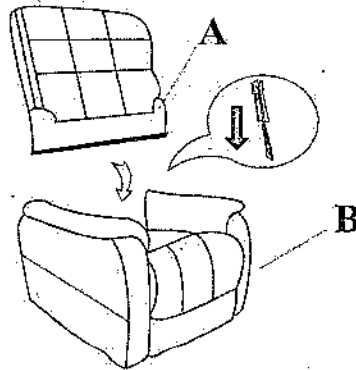
Thank you for purchasing this quality product. Be sure to check all packing material carefully for small parts that may have come loose inside the carton during shipment.

PARTS LIST

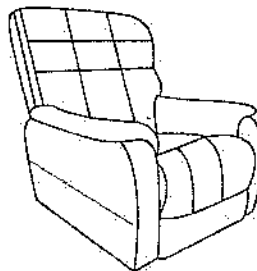
NO.	DRAWING	QTY	DESCRIPTION
A		1	BACK REST
B		1	SEAT

Please following the drawings below to assemble the item.

Step 1: Insert back rest. Make sure the brackets are secured in correct position.



Step 2. Completed.



Do not plug your recliner power cord into a power outlet until your recliner is completely assembled and in the location of its intended use.

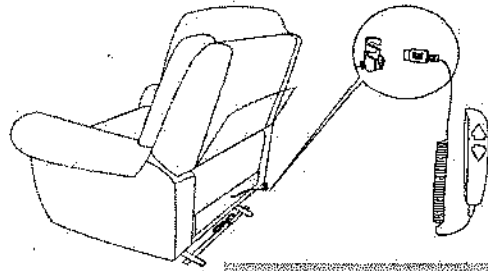
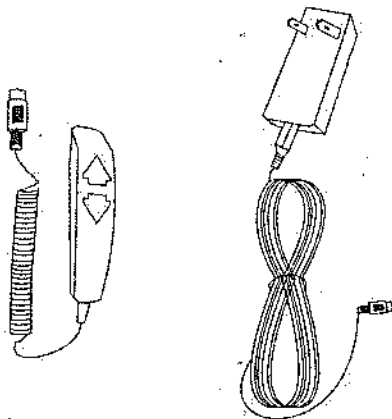
Notes:

- 1) To help prevent shock or damage to your product, only plug the power cord into a grounded outlet.
- 2) Read the operating instructions carefully before operating your power sofa.
- 3) Mechanism weight limited 350 LBS.

ASSEMBLY INSTRUCTION

LIFT RECLINER

Thank you for purchasing this quality product. Be sure to check all packing material carefully for small parts that may have come loose inside the carton during shipment.



⚠ WARNING! MISE EN GARDE!

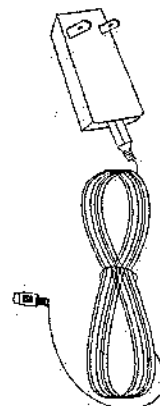
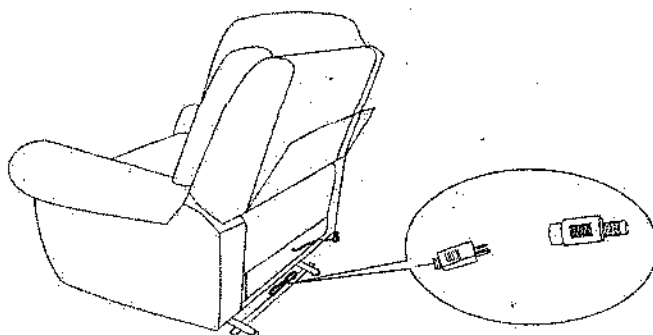
MANUAL CONTROL CABLE ROUTING
ROUTAGE DU CÂBLE POUR LA COMMANDE MANUELLE

CAUTION: Do not connect the control wand to the power transformer until the power transformer is connected to the power cord.

ATTENTION: Ne pas brancher la manette de commande sur le transformateur de puissance avant que le transformateur de puissance ne soit branché sur le cordon d'alimentation.

Step 1
 The packaging bag found inside the carton includes the Control Wand, Power Transformer, Transformer Power Cord. Remove from the packaging bag to begin assembly.

Step 2
 Attach the control wand pin plug to the matching pin plug at the rear of the seat. Make sure to lock the 2 pin plugs together using the snap lock. Follow the routing of the control wand wiring as seen beside.



⚠ WARNING! MISE EN GARDE!

REPLACING BATTERIES

To remove the batteries of the chair from the chair as a ground feature in the event of a Power outage. Refer to the manual for instructions on the chair's built-in backup system. Use the manual for instructions on the chair's built-in backup system.

REMPLACEMENT DES PILES

Retirer les piles de la chaise pour éviter le risque de choc électrique en cas de panne de courant. Voir le manuel pour les instructions sur le système de secours intégré de la chaise. Utilisez le manuel pour les instructions sur le système de secours intégré de la chaise.

Step 3
 Attach the lead wire from the power motor found attached at the rear of the lift chair to the transformer.

Step 4
 Attach the power supply cord to the opposite end of transformer.