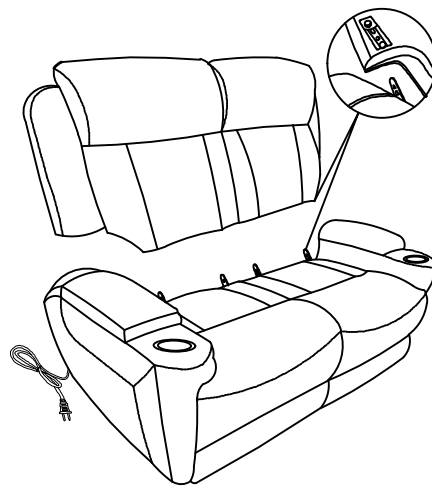
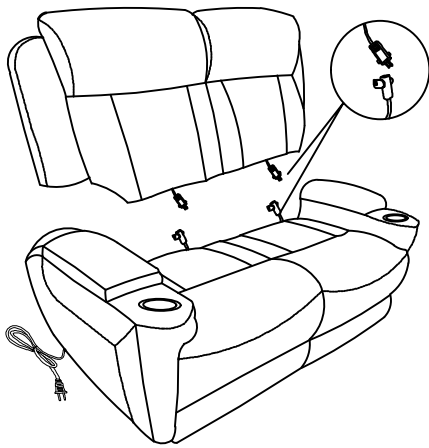
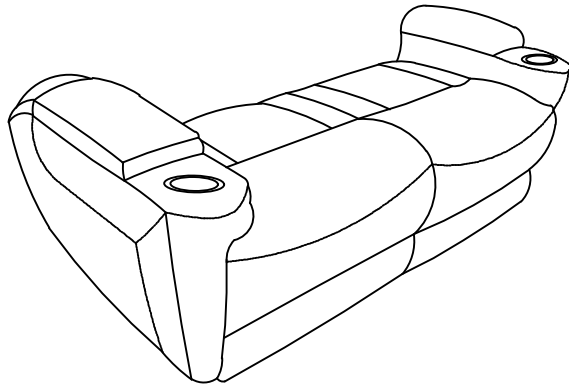
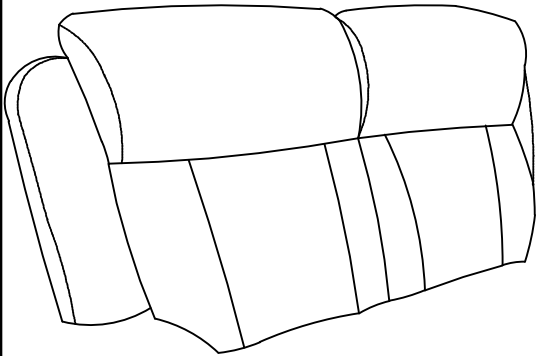


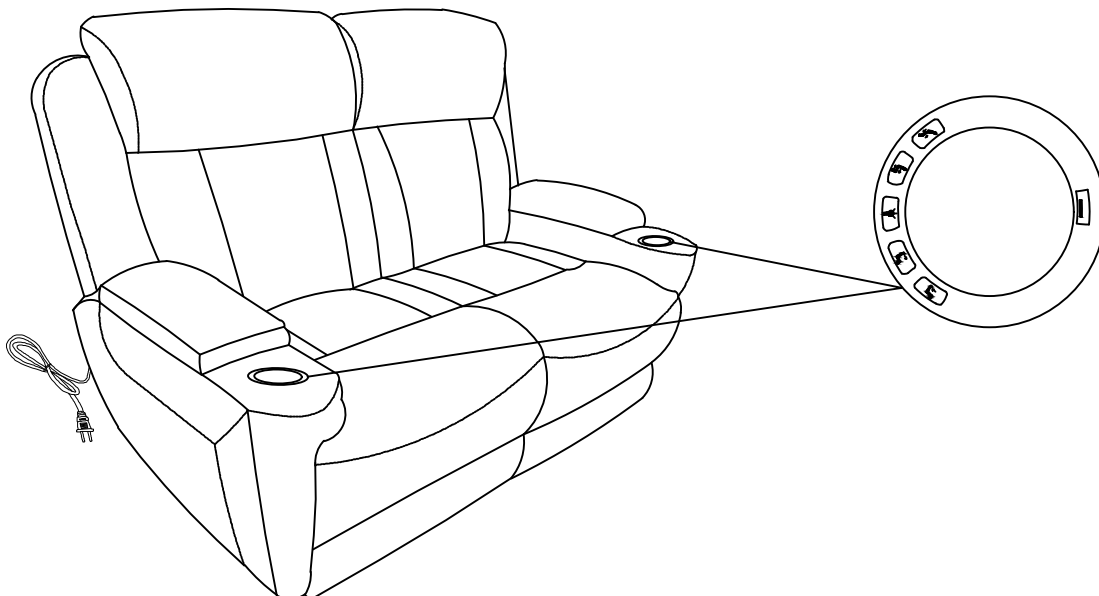


Parker Living®
HERITAGE

ASSEMBLY INSTRUCTIONS DALTON COLLECTION MDAL#822



Connect wire behind seat to wire under the headrest, then slide back onto connecting brackets and push until you hear a clicking sound.



49900996