

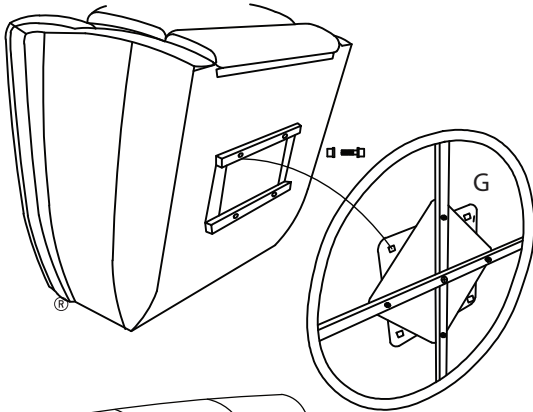
FreeMotion

Motion Furniture...Unplugged



Assembly Instructions for Carnegie Recliner powered by FreeMotion

1.

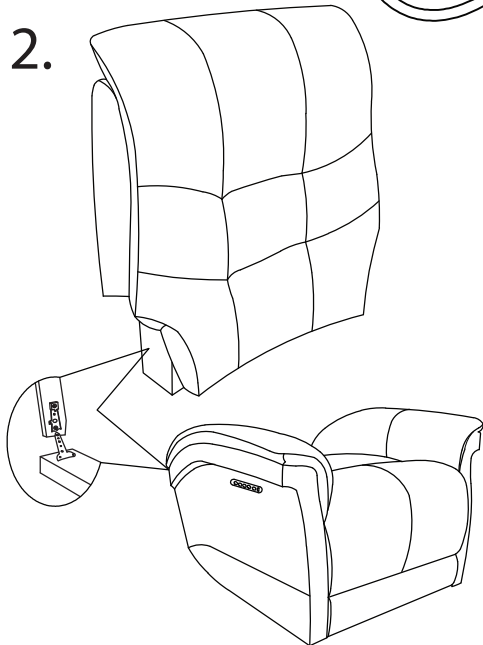


Parts:

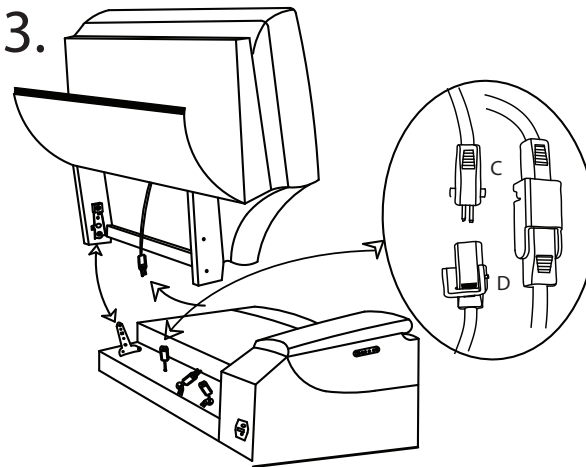
A	Battery Output	D	Headrest Input
B	Motor Connection	E	Charging Port and Battery Indicator
C	Headrest Output	F	Battery and Bracket
G	Circle Chair Base w/ Hardware Packet		

1. Place chair base on its side, attach circle base to bracket under chair with 4 bolts. Bolts and allen wrench will be in hardware packet in red bag zip tied to swivel base
2. Attach back, placing bottom bracket into top bracket
3. Behind flap on back of chair, connect Headrest Output (C) to Headrest Input (D)
4. Next, connect Battery Output (A) to Motor Connection (B), plug transformer with AC cable into port. Adhere back flap to frame for a smooth finished look
5. For trouble shooting, please refer to your FreeMotion battery owner's manual or visit www.freemotionbattery.com

2.



3.



4.

