

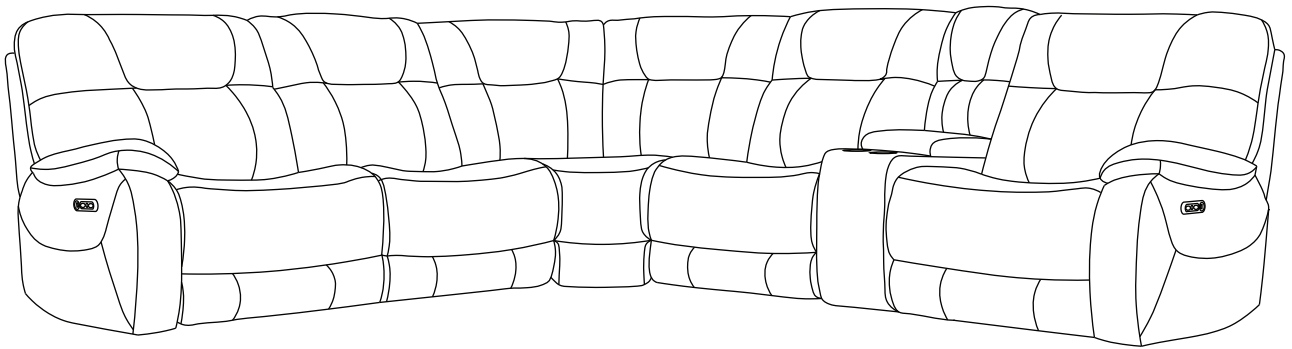


Parker Living®
A Division of Parker House

AXEL COLLECTION

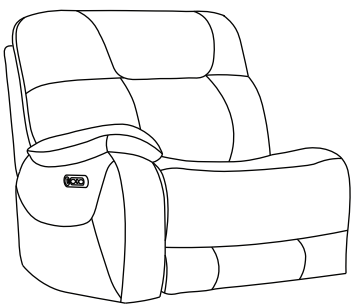
MAXE-PACKA
Power Reclining Sectional

ASSEMBLY INSTRUCTIONS NOTICE DE MONTAGE



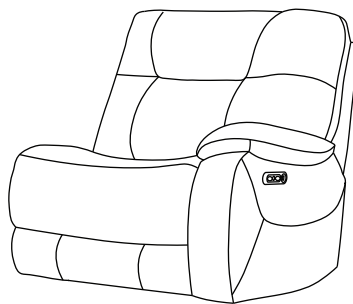
MAXE#811LPH

x1



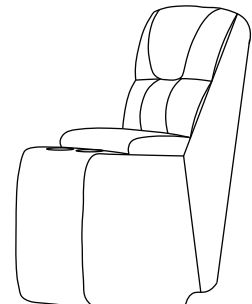
MAXE#811RPH

x1



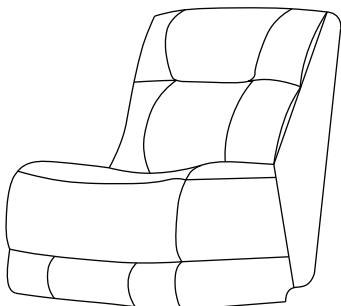
MAXE#860

x1



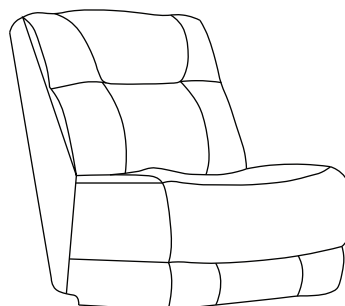
MAXE#810

x1



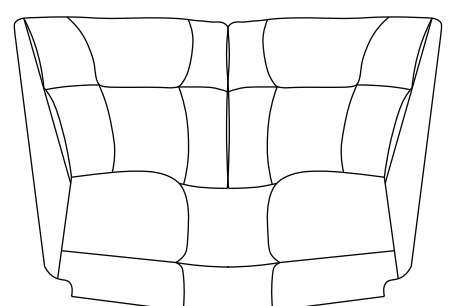
MAXE#840

x1



MAXE#850

x1

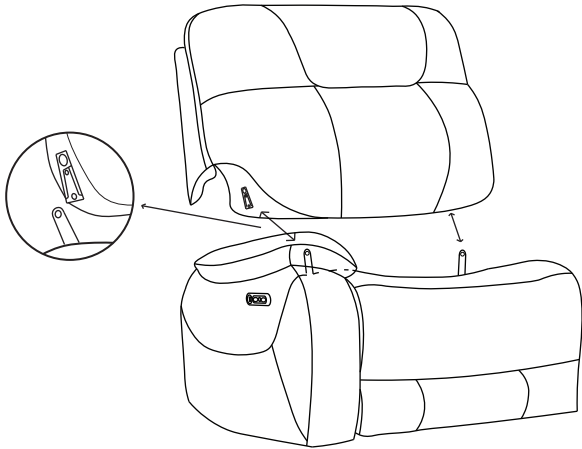


AXEL COLLECTION MAXE-PACKA

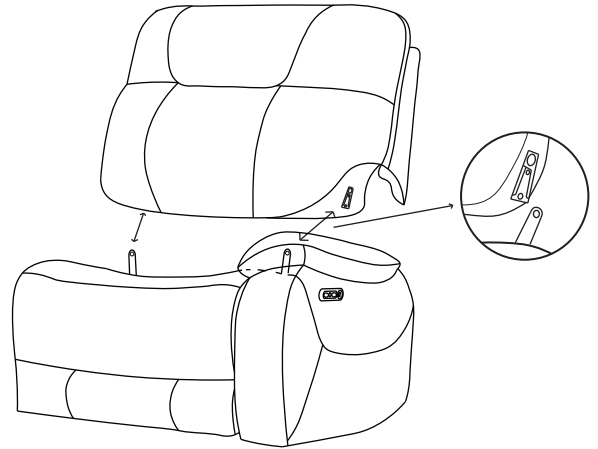
Step 1

Combine all back pieces to the base.

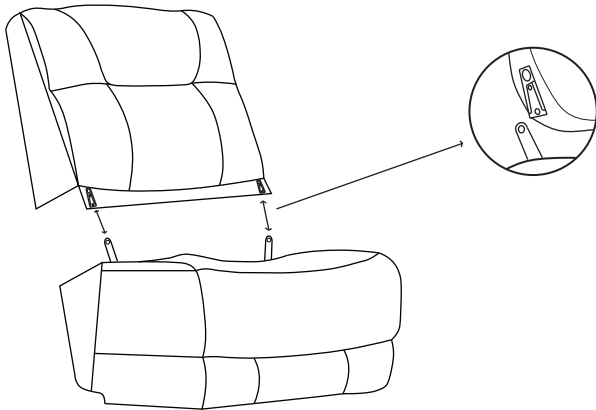
MAXE#811LPH



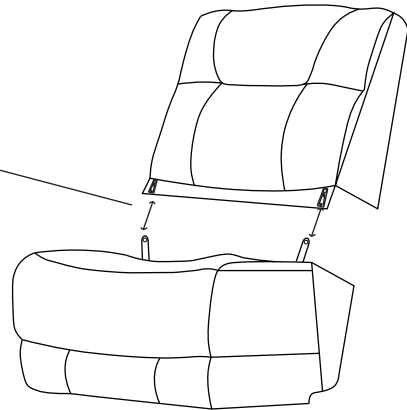
MAXE#811RPH



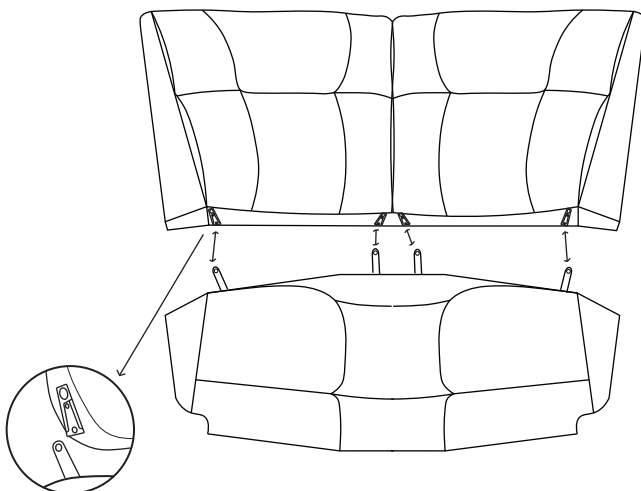
MAXE#840



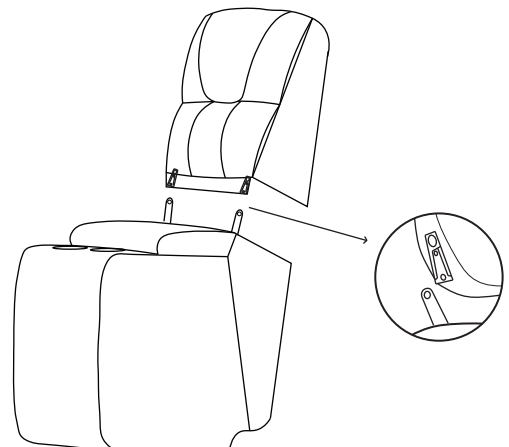
MAXE#810



MAXE#850



MAXE#860

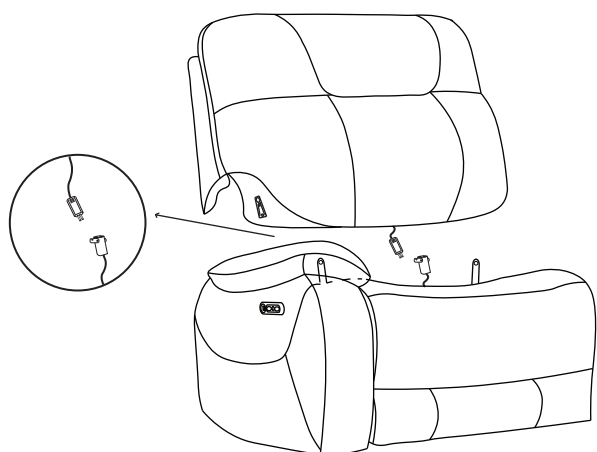


AXEL COLLECTION MAXE-PACKA

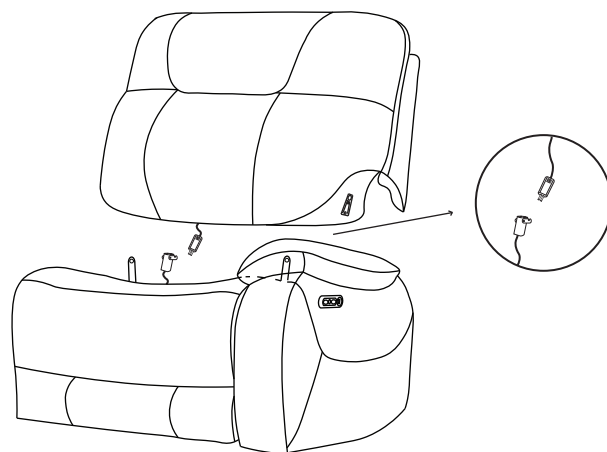
Step 2

Headrest connection

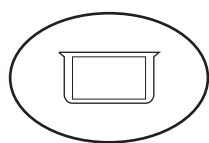
MAXE#811LPH



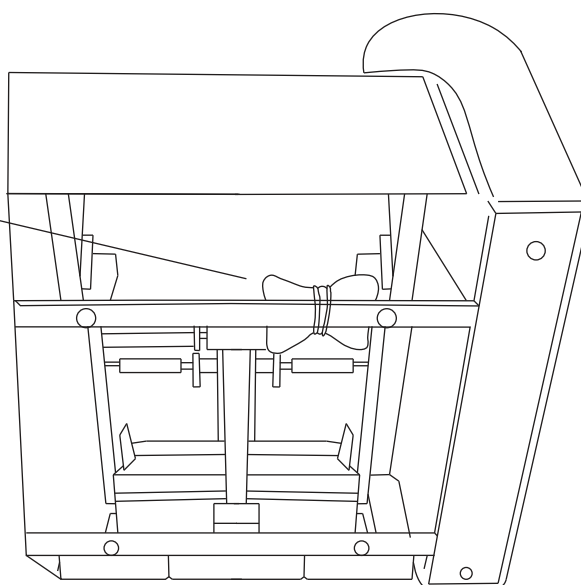
MAXE#811RPH



Step 3



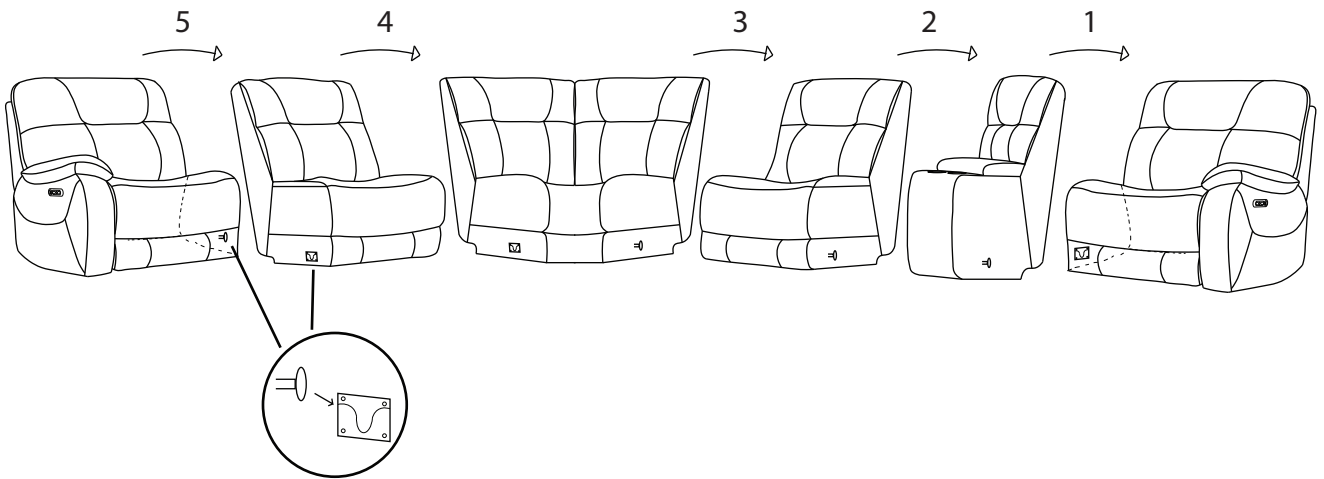
AC Power Cord



AXEL COLLECTION MAXE-PACKA

Step 4

Attach each piece of the sectional, from right to left



Step 5

Complete

