



**Parker House**  
FURNITURE

# Assembly Instruction

Item No: LOD#09

Description : CONSOLE TABLE

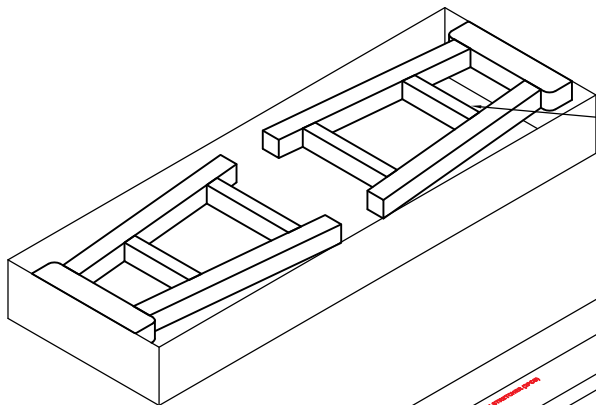
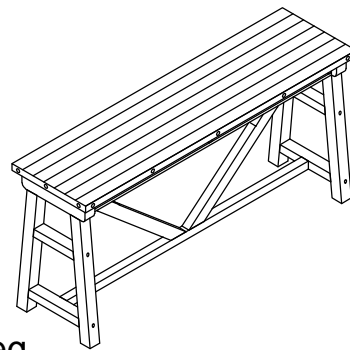
2022-05-11

## HARDWARE LIST

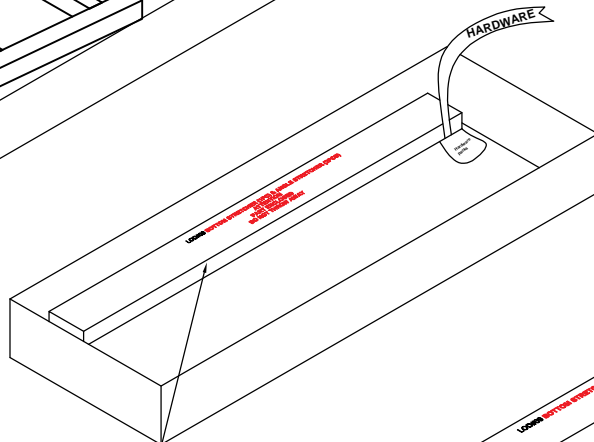
No	Description	Sketch	Q'TY
A	Allen Wrench 4mm		1PC
B	Bolt Ø5/16x4-1/2"		4PCS
C	Bolt Ø5/16x3"		4PCS
D	Bolt Ø5/16x1-3/8"		8PCS
E	Hanger Bolt Ø/5/16x3-1/4"		2PCS
F	Lock Washer Ø5/16"		16PCS
G	Flat Washer Ø5/16x3/4"		16PCS
H	Wrench Ø5/16		1PC
I	Hex Nut Ø5/16 x 1/2"		2PCS
J	Halfmoon Washer		2PCS

## PART LIST

TABLE TOP (1PC)	FRAME LEG (2PCS)
①	②
STRETCHER (1PC)	CENTER POST (2PCS)
③	④



Frame leg pack is here



Hardware pack is here

Stretchers and center post pack is here



Parker House  
FURNITURE

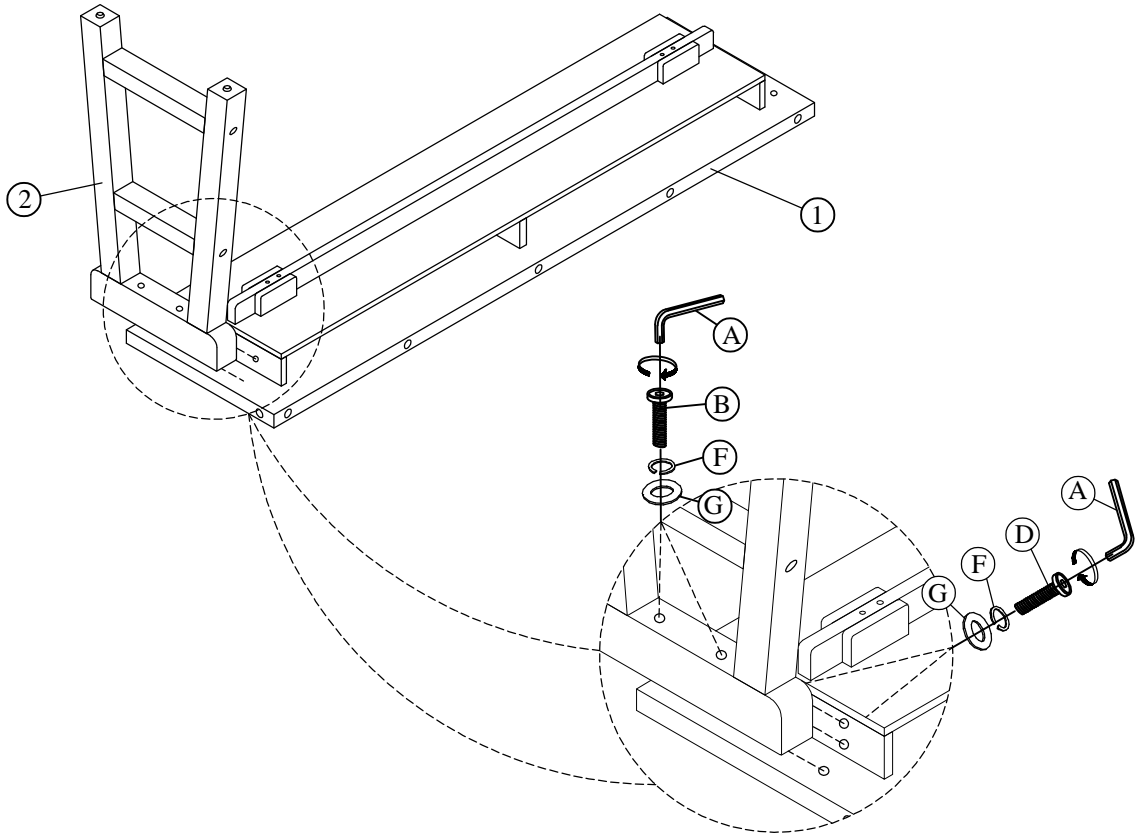
# Assembly Instruction

Item No: LOD#09

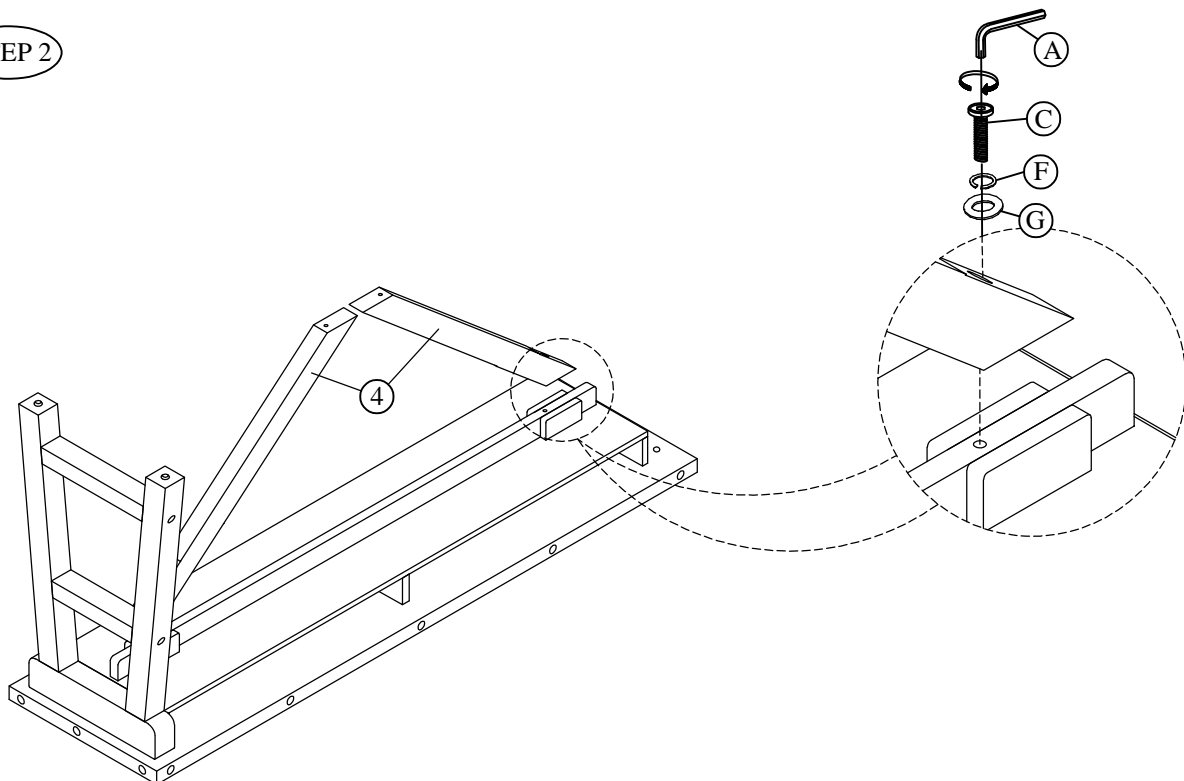
Description : CONSOLE TABLE

2022-05-11

STEP 1



STEP 2





Parker House  
FURNITURE

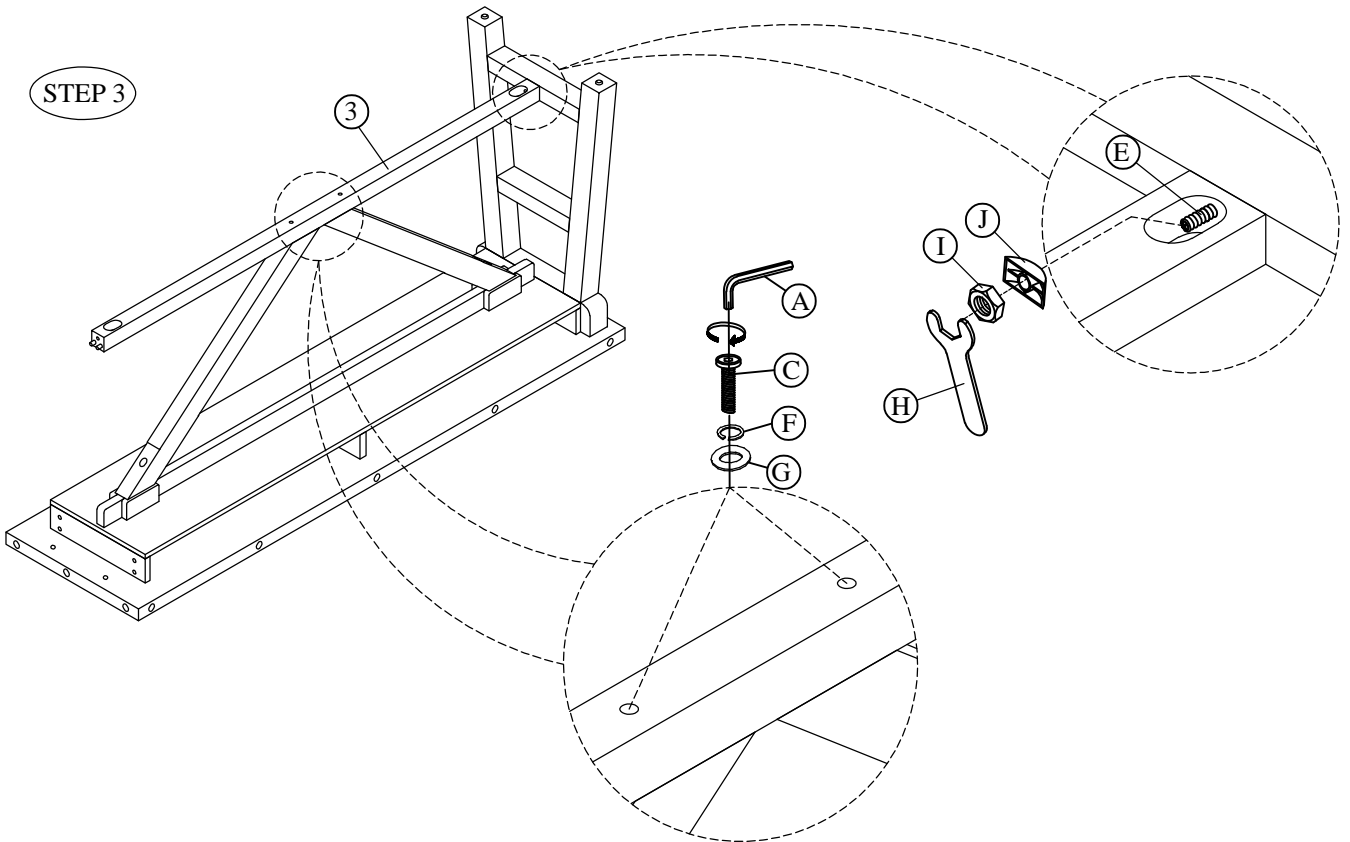
# Assembly Instruction

Item No: LOD#09

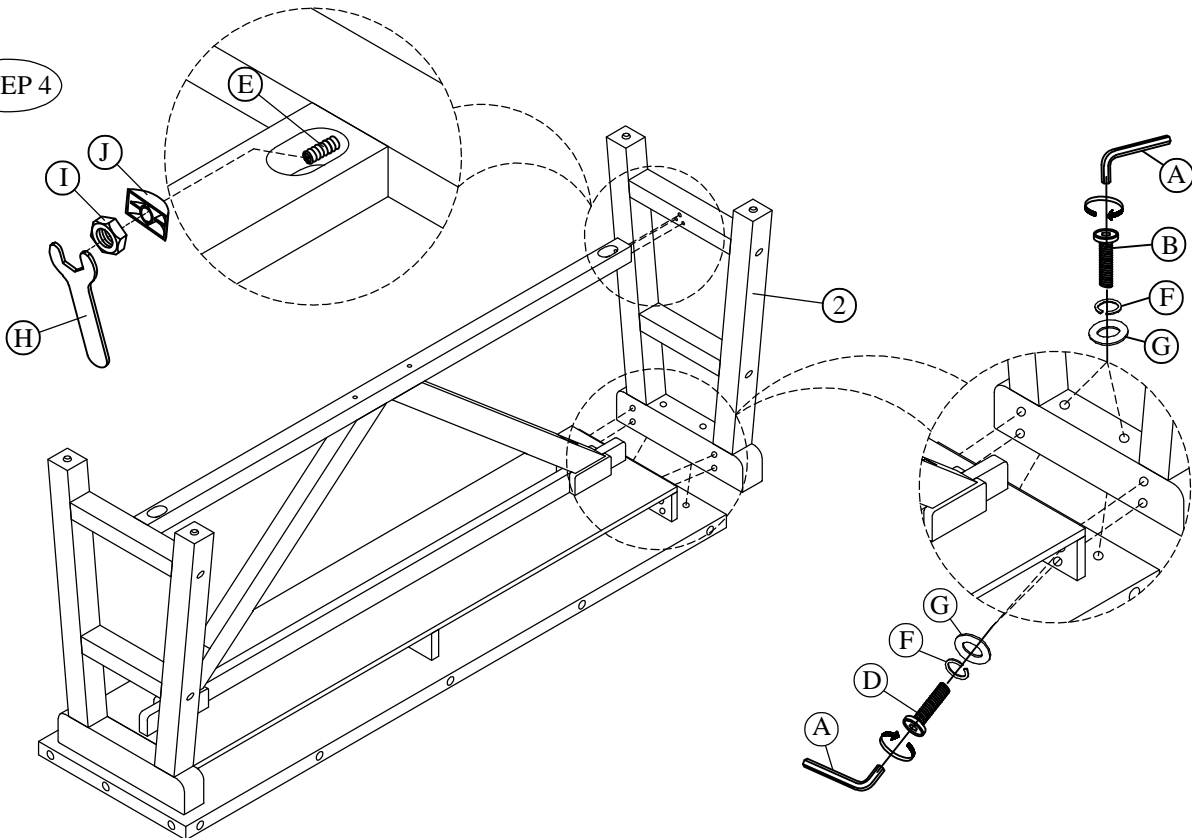
Description : CONSOLE TABLE

2022-05-11

STEP 3



STEP 4





Parker House  
FURNITURE

# Assembly Instruction

Item No: LOD#09

Description : CONSOLE TABLE

2022-05-11

STEP 5

