



**Parker House**  
FURNITURE

# Assembly Instruction

Item No: LOD#06

Description : CHAIRSIDE TABLE

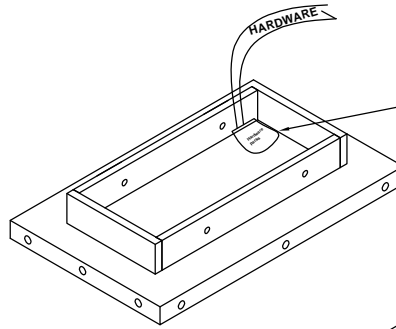
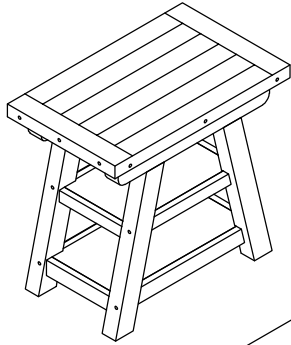
2022-05-11

## HARDWARE LIST

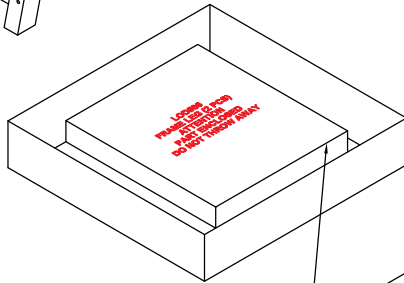
No	Description	Sketch	Q'TY
A	Allen Wrench 4mm		1PC
B	Bolt Ø5/16x3-1/8"		6PCS
C	Bolt Ø5/16x1-3/8"		12PCS
D	Lock Washer Ø5/16x12mm		18PCS
E	Flat Washer Ø5/16x19mm		18PCS

## PART LIST

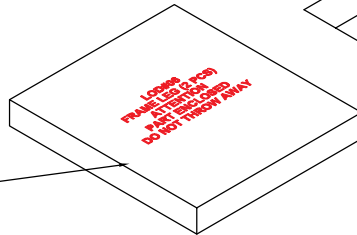
TABLE TOP (1PC)		FRAME LEG (2PCS)	
①		②	
SHELF 1 (1PC)		SHELF 2 (1PC)	
③		④	



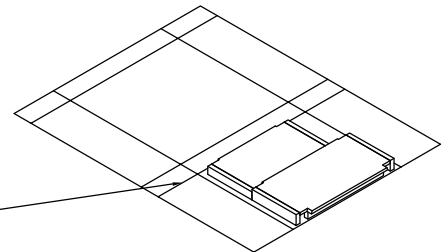
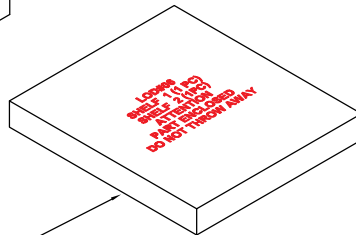
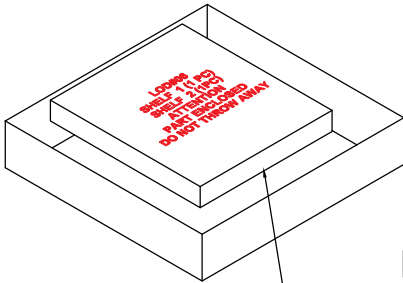
Hardware pack is screwed here



Frame Leg pack is here



Shelf pack is here





Parker House  
FURNITURE

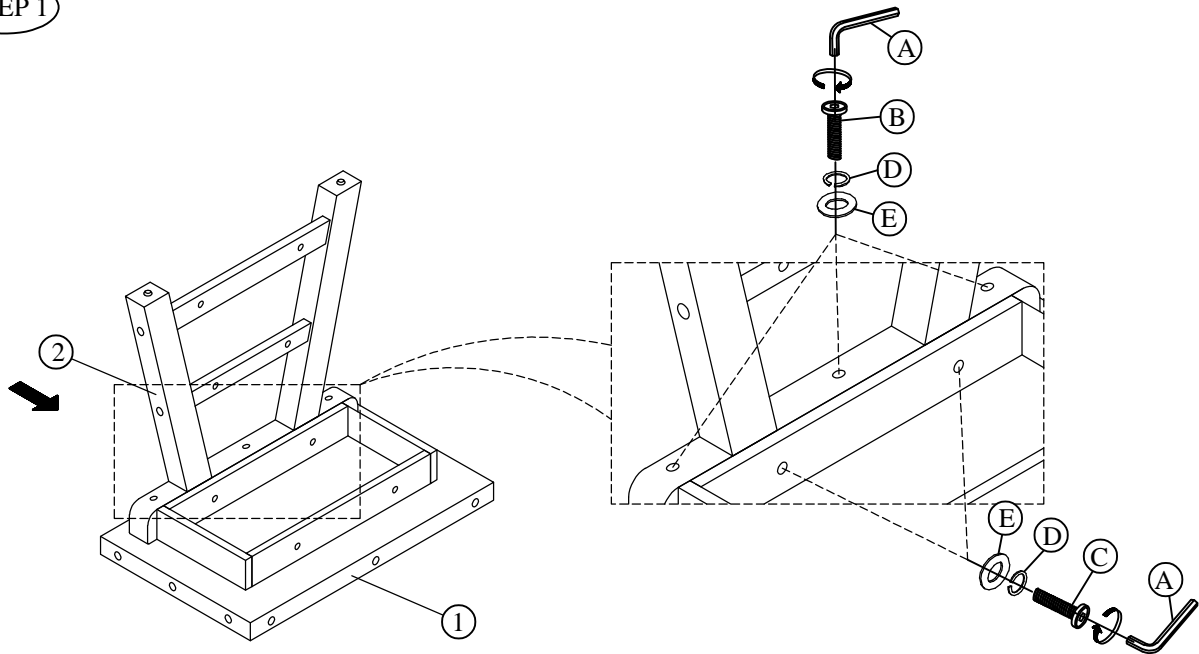
# Assembly Instruction

Item No: LOD#06

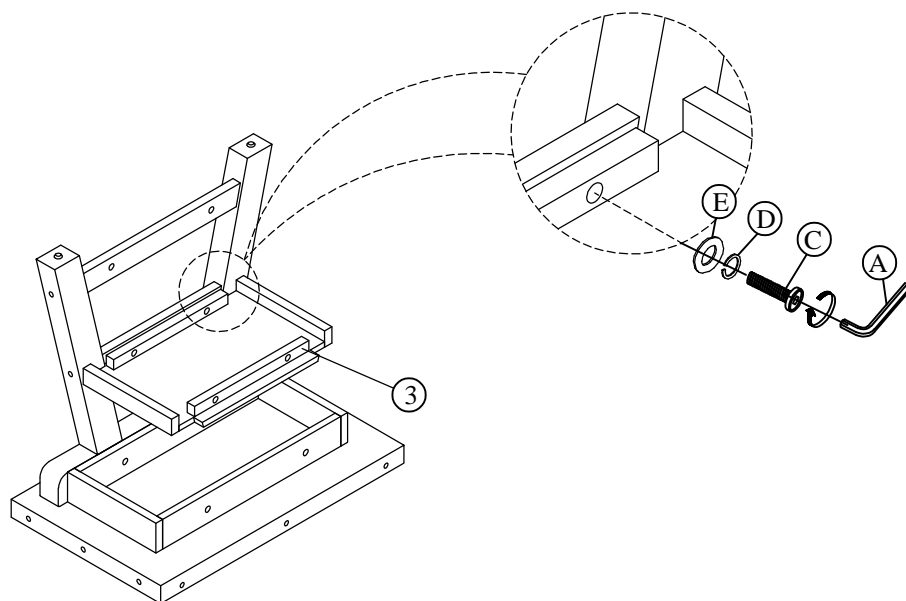
Description : CHAIRSIDE TABLE

2022-05-11

## STEP 1



## STEP 2





Parker House  
FURNITURE

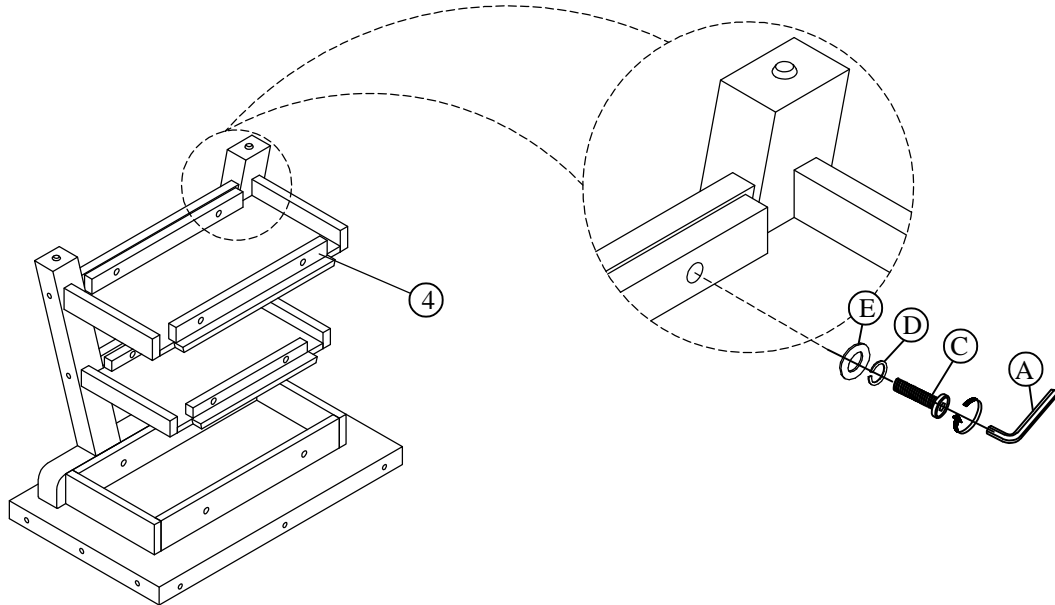
# Assembly Instruction

Item No: LOD#06

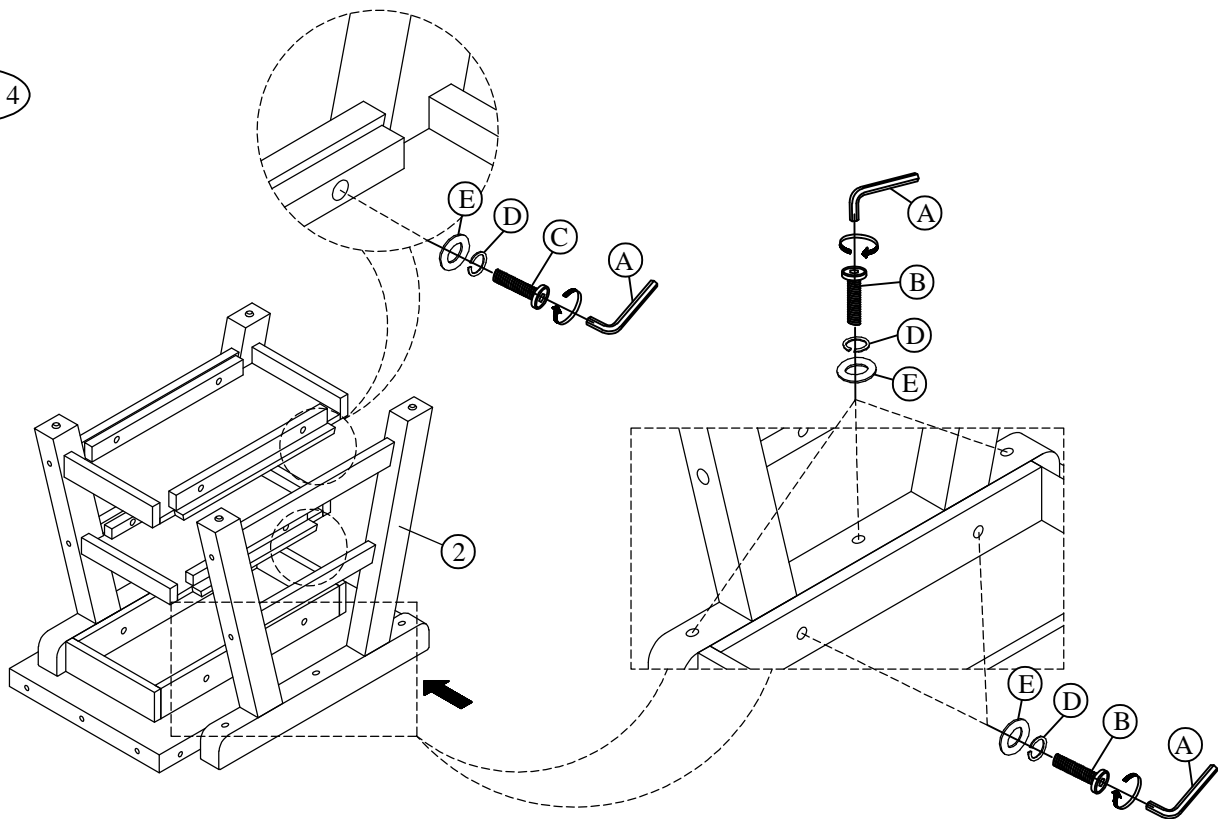
Description : CHAIRSIDE TABLE

2022-05-11

STEP 3



STEP 4





Parker House  
FURNITURE

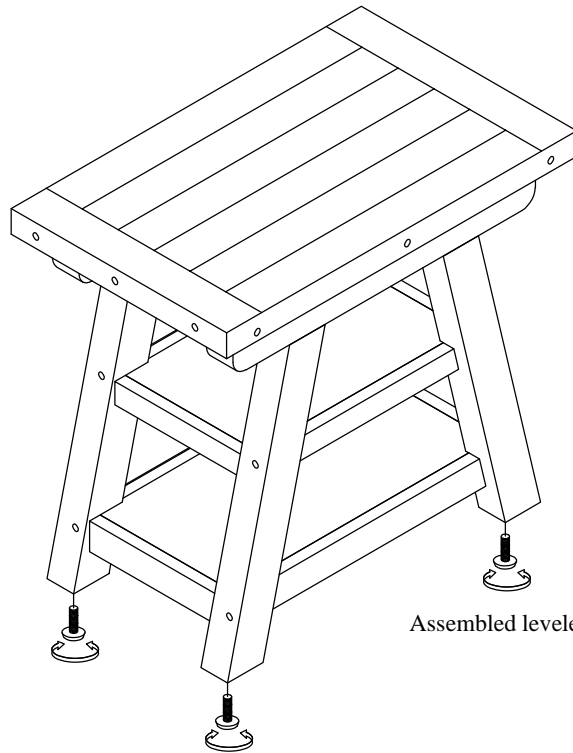
# Assembly Instruction

Item No: LOD#06

Description : CHAIRSIDE TABLE

2022-05-11

STEP 5



Assembled leveler =4PCS

