



Parker House
FURNITURE

Assembly Instruction

Item No: LOD#05

Description : RECTANGULAR LIFT TOP COCKTAIL TABLE

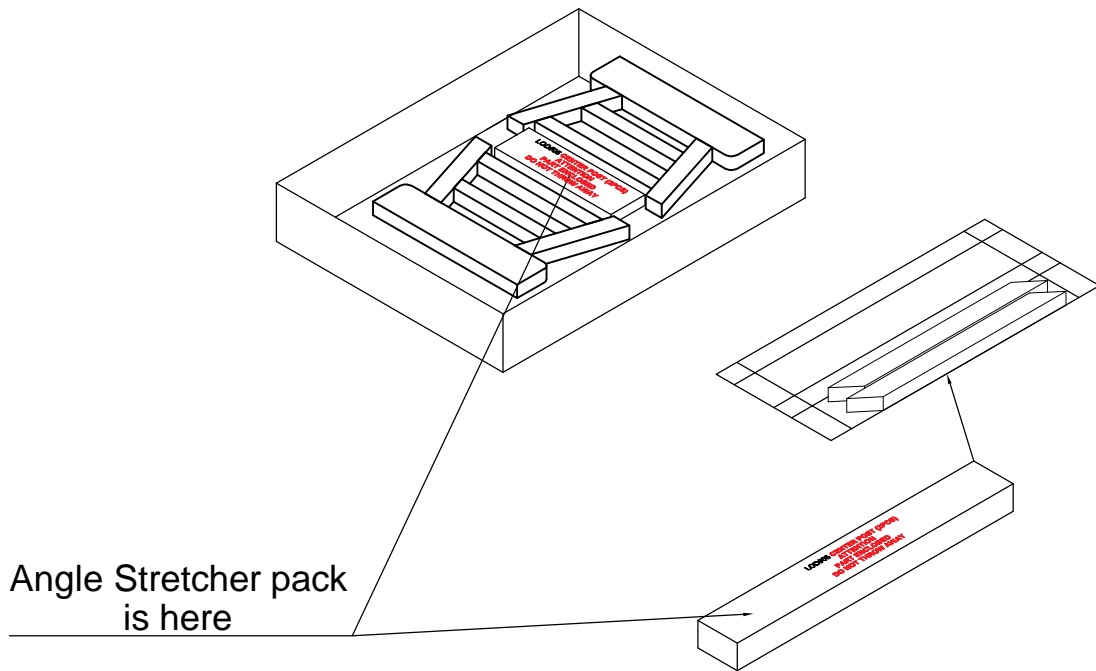
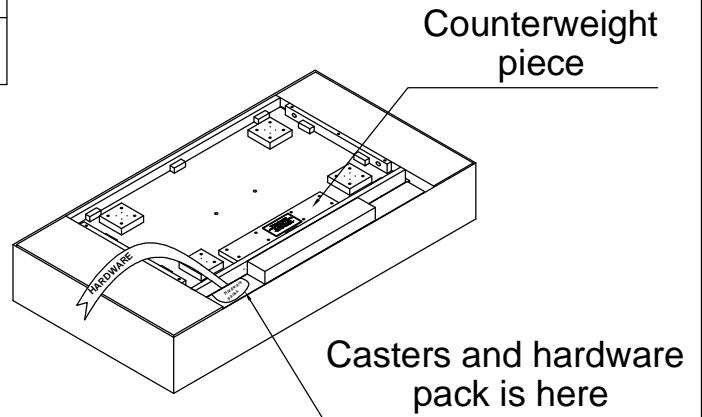
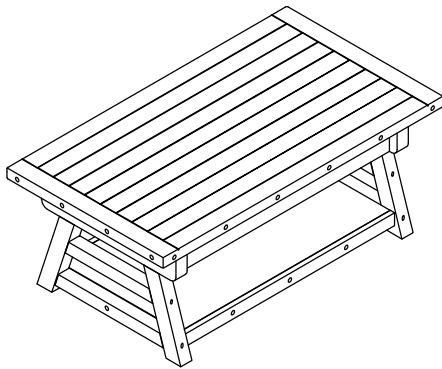
2022-05-11

HARDWARE LIST

No	Description	Sketch	Q'TY
A	Allen Wrench 4mm		1PC
B	Bolt Ø5/16x1-9/16"		12PCS
C	Lock Washer Ø5/16x12mm		12PCS
D	Flat Washer Ø5/16x19mm		12PCS
E	Screw #4x3/4"		16PCS
F	Casters W/Lock		2PCS
G	Casters		2PCS

PART LIST

TABLE TOP (1PC)	FRAME LEG (2PCS)
①	②
SHELF FRAME (1PC)	CENTER POST (2PCS)
③	④





Parker House
FURNITURE

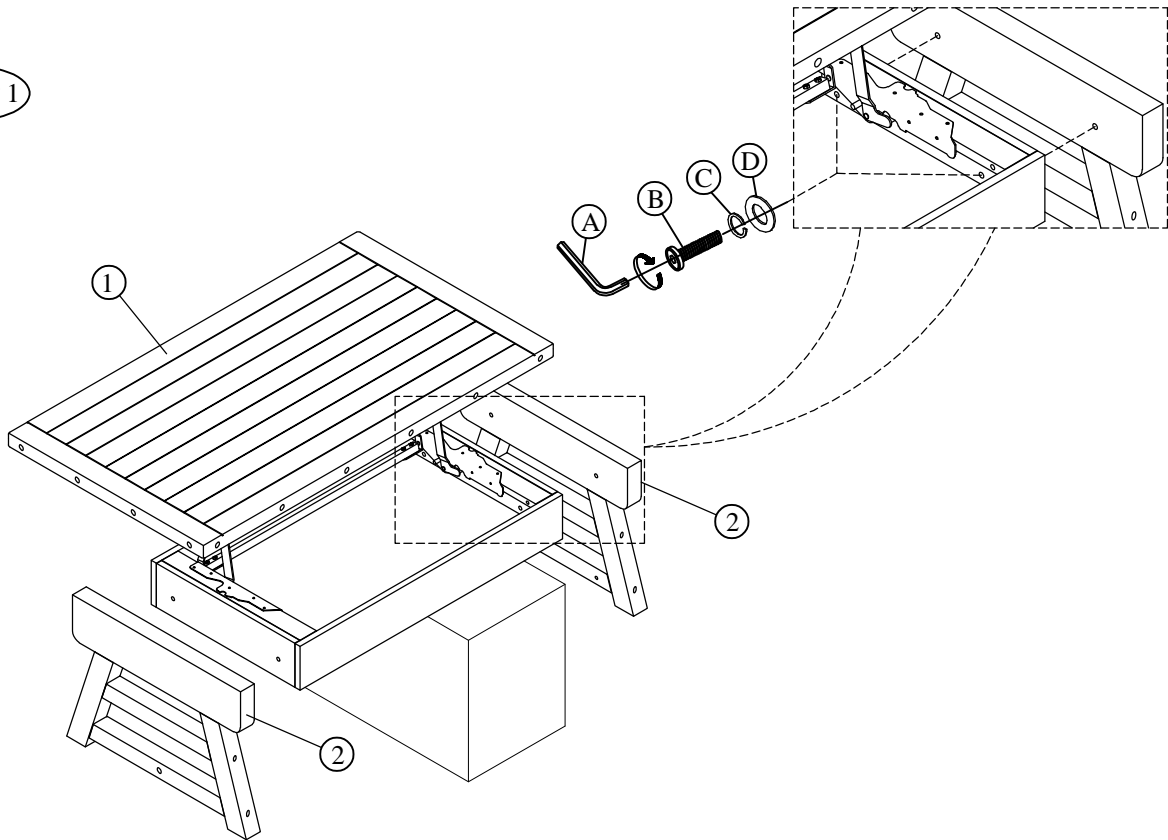
Assembly Instruction

Item No: LOD#05

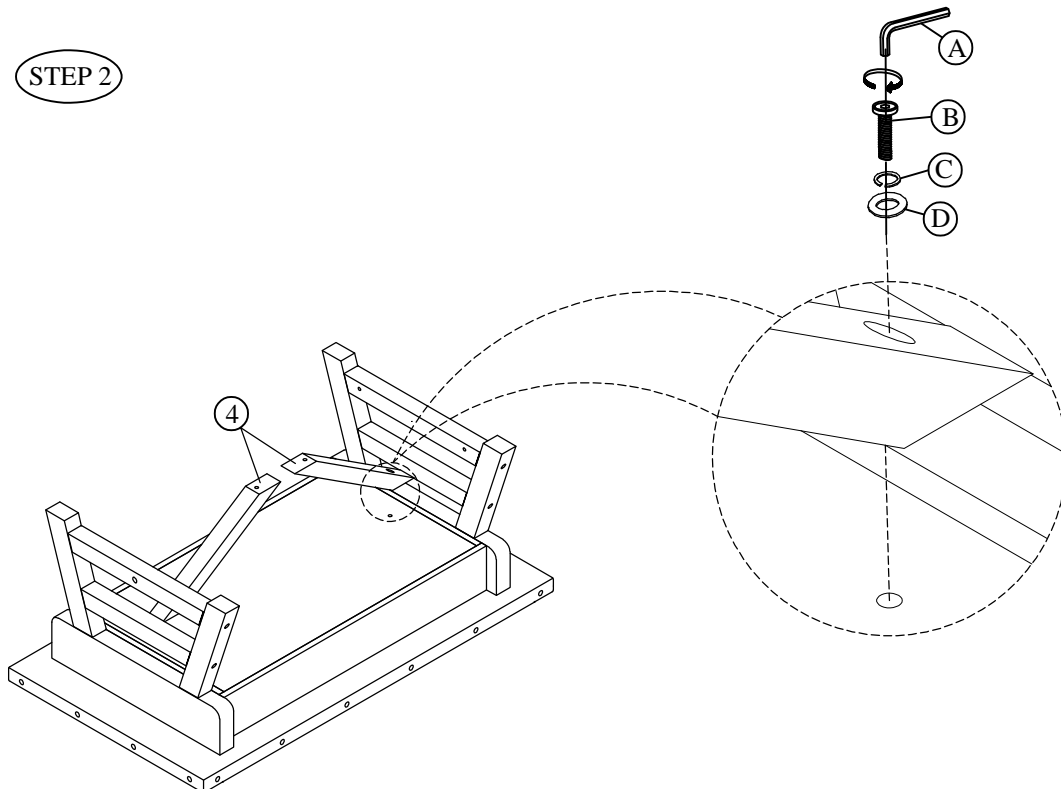
Description : RECTANGULAR LIFT TOP COCKTAIL TABLE

2022-05-11

STEP 1



STEP 2





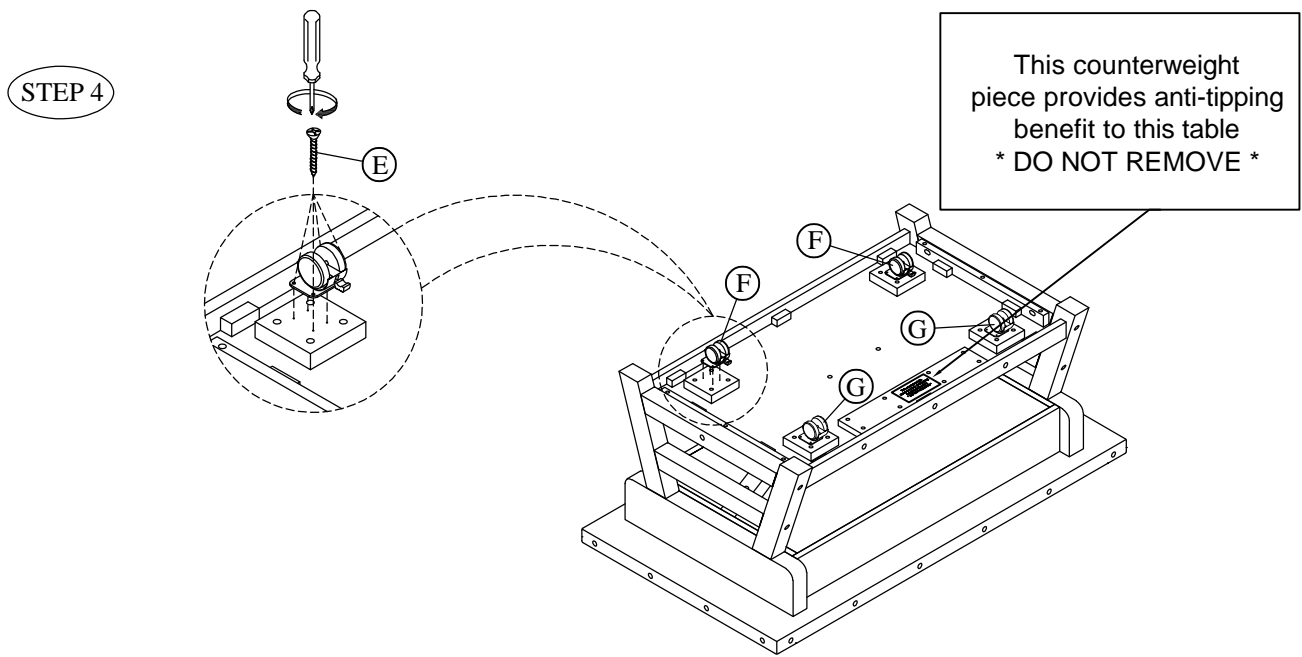
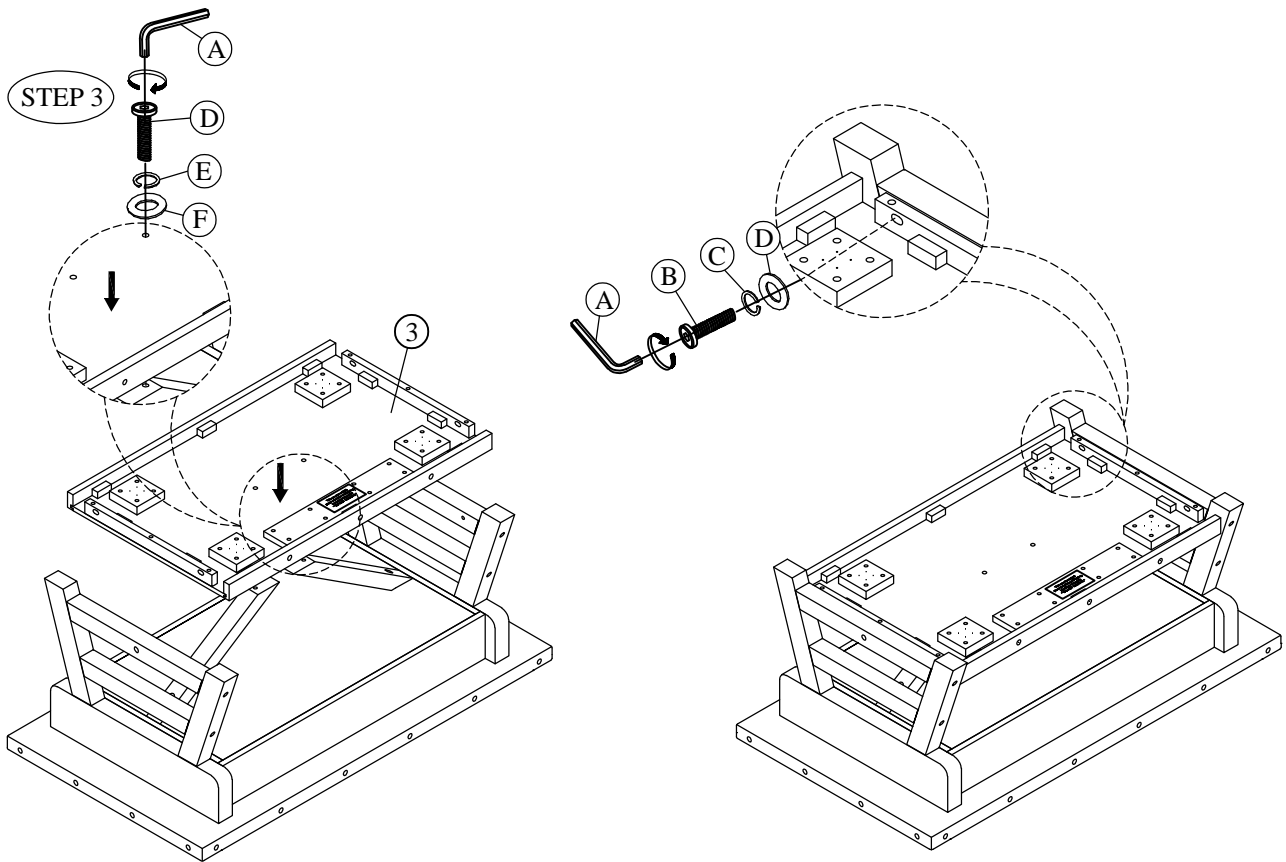
Parker House
FURNITURE

Assembly Instruction

Item No: LOD#05

Description : RECTANGULAR LIFT TOP COCKTAIL TABLE

2022-05-11



Note - The locking casters must be installed along the opposite side of the counterweight piece .See diagram.



Parker House
FURNITURE

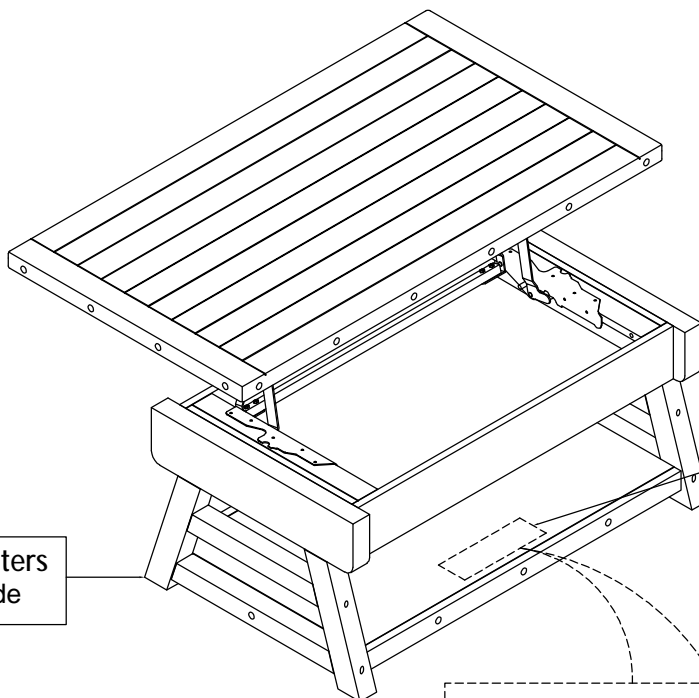
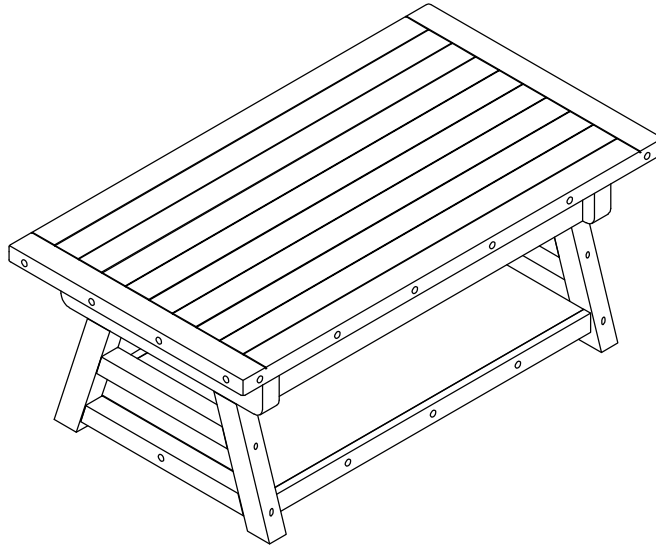
Assembly Instruction

Item No: LOD#05

Description : RECTANGULAR LIFT TOP COCKTAIL TABLE

2022-05-11

COMPLETED



Locking casters
on this side

Counterweight
piece on this side

Note - The counterweight piece must be on the opposite side of the direction that the top lifts up. The locking casters must be on the opposite side.