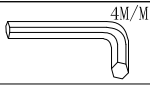

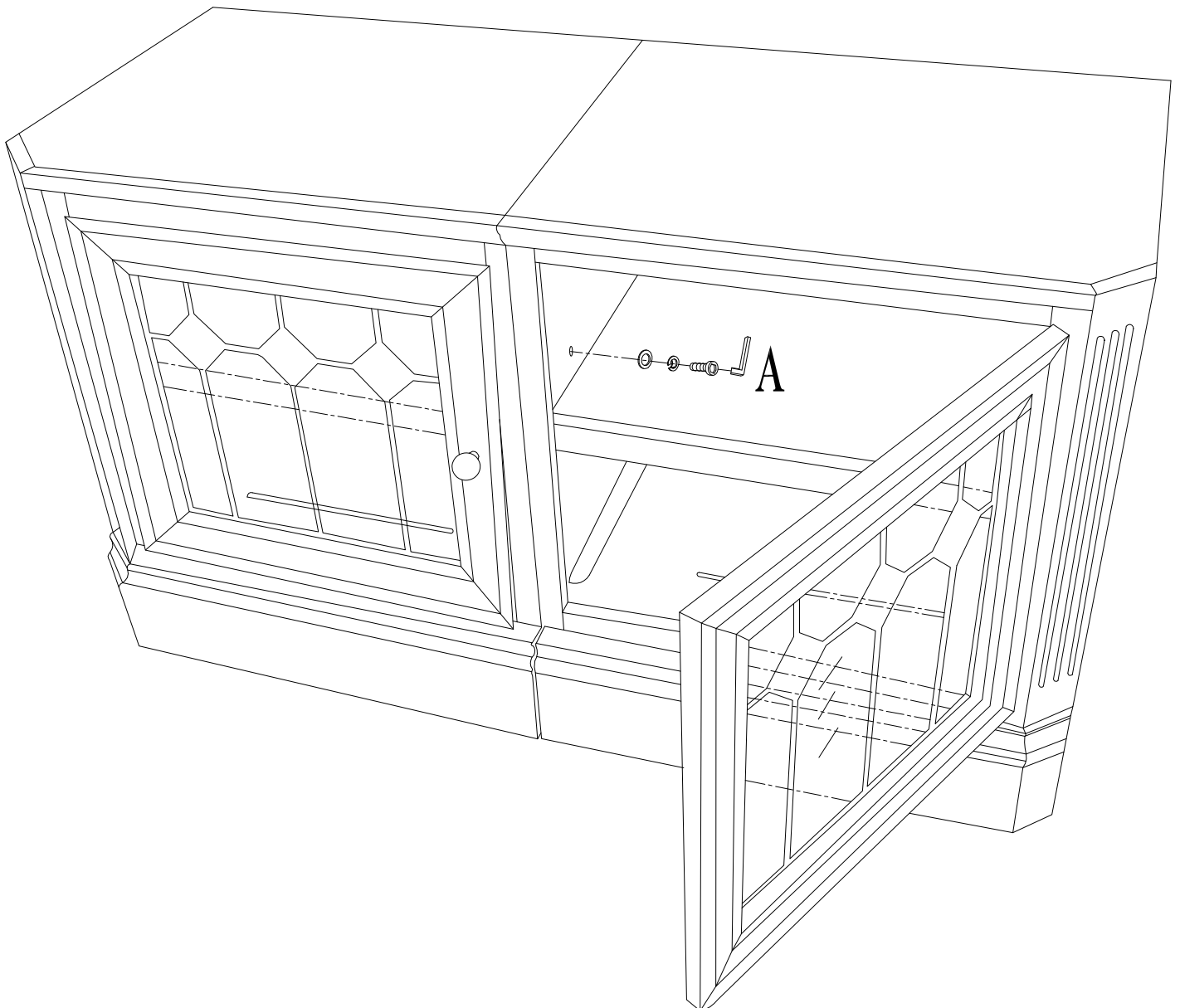


Assembly Instruction


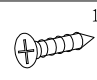
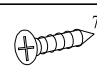
Item No. HUN-415X

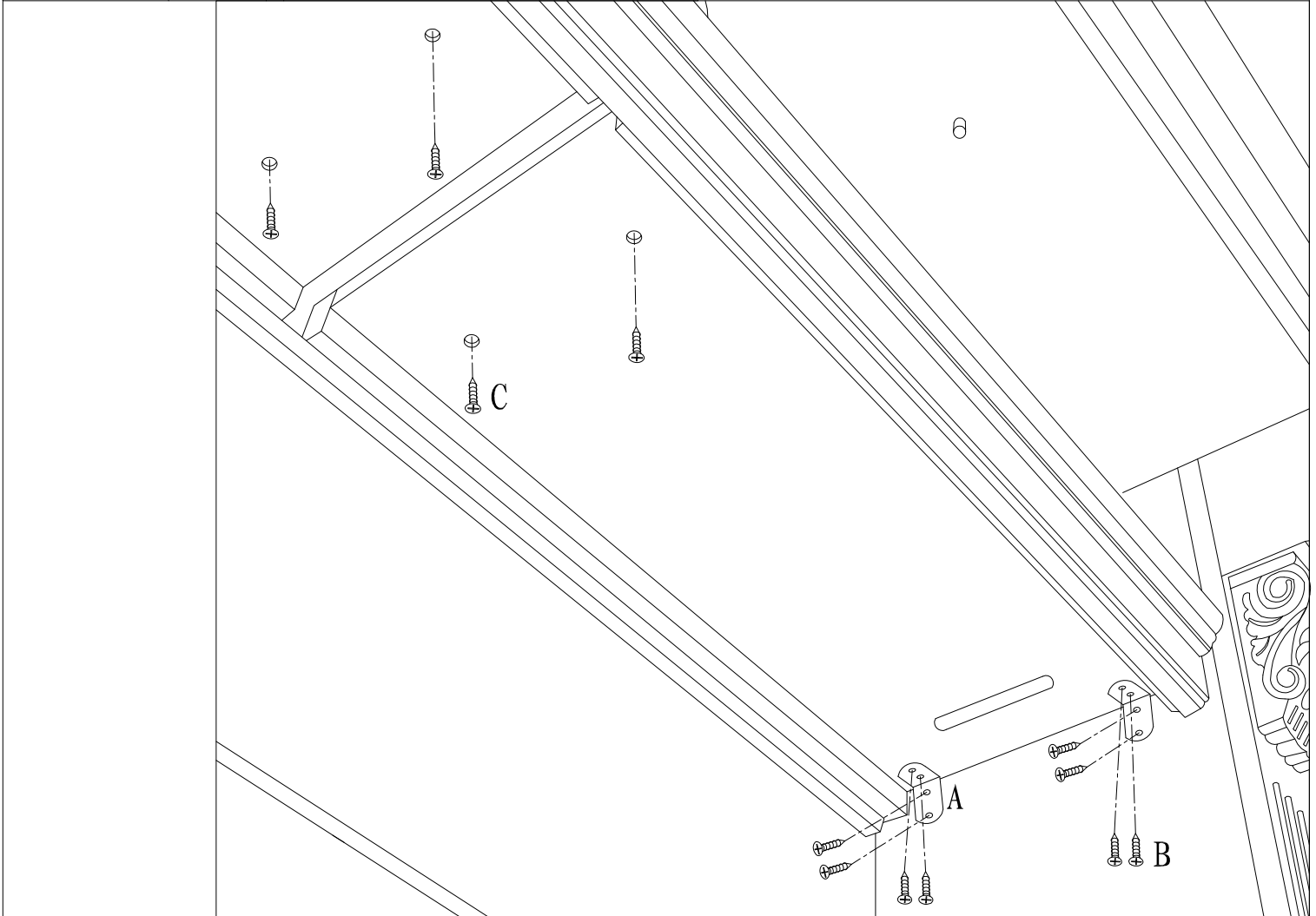
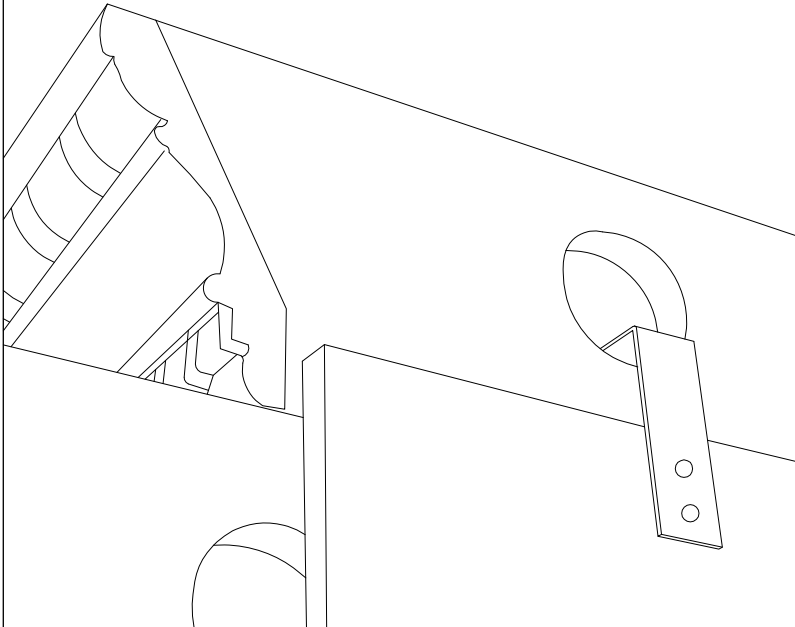
No	Description	Sketch	Q' TY
A	Allen Wrench		1pc
B	Pencil		1pc



Assembly Instruction

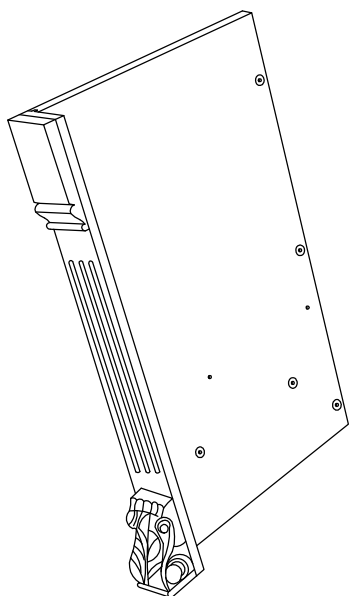
Item No. HUN-400

No	Description	Sketch	Q' TY
A	Bracket	 $\varnothing 1/4"$	4pcs
B	Screw	 $1/2" L$	16pcs
C	Screw	 $7/8" L$	4pcs

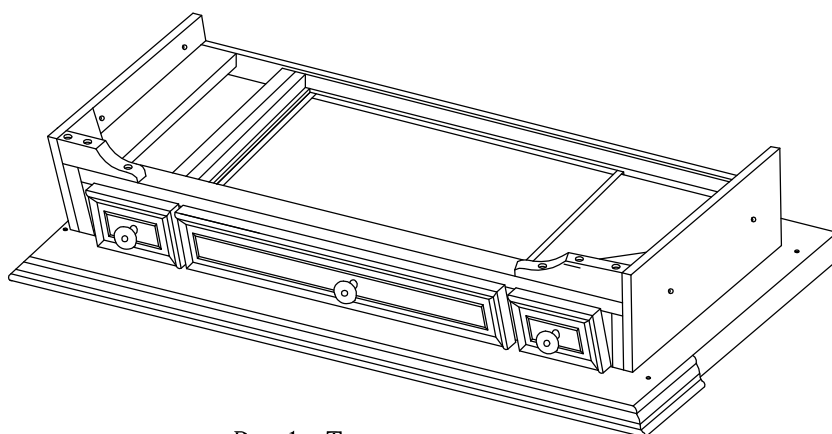


Assembly Instruction

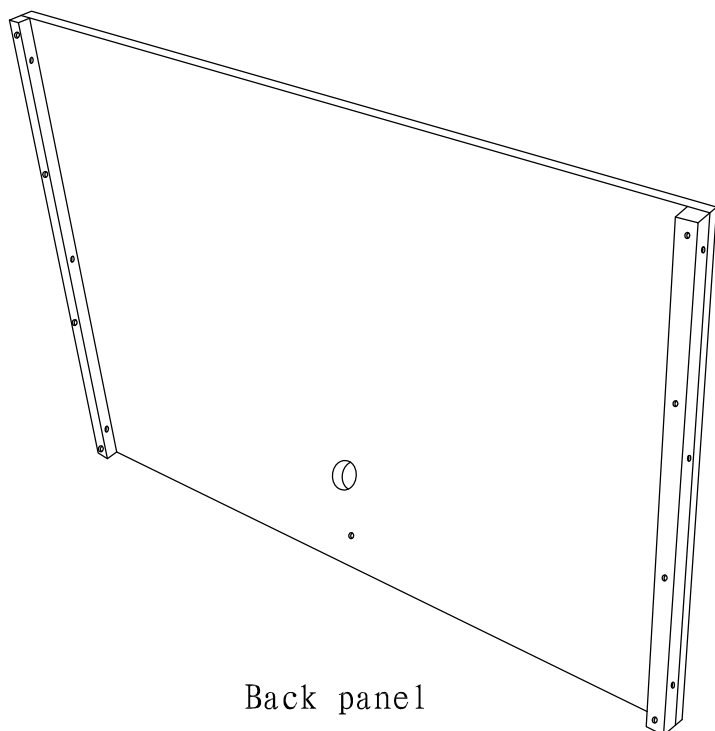
HUN-461# Part list



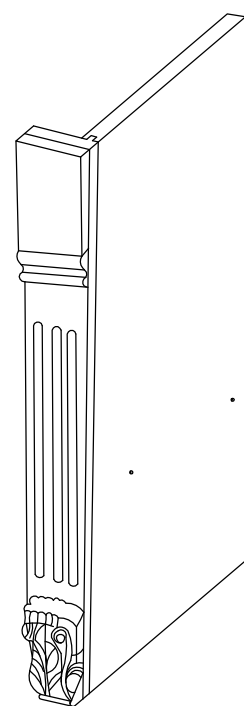
Left side Panel



Desk Top

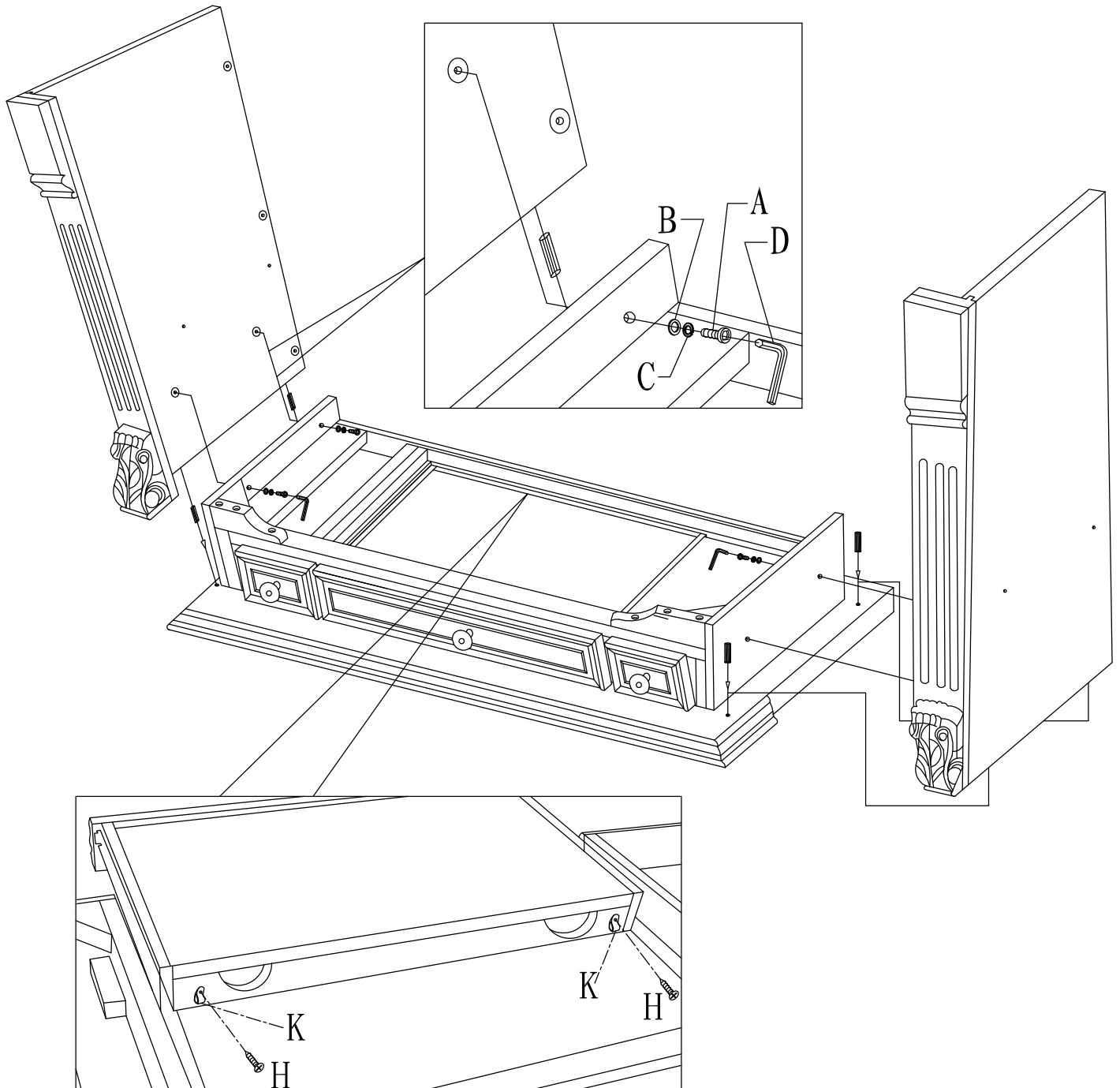


Back panel



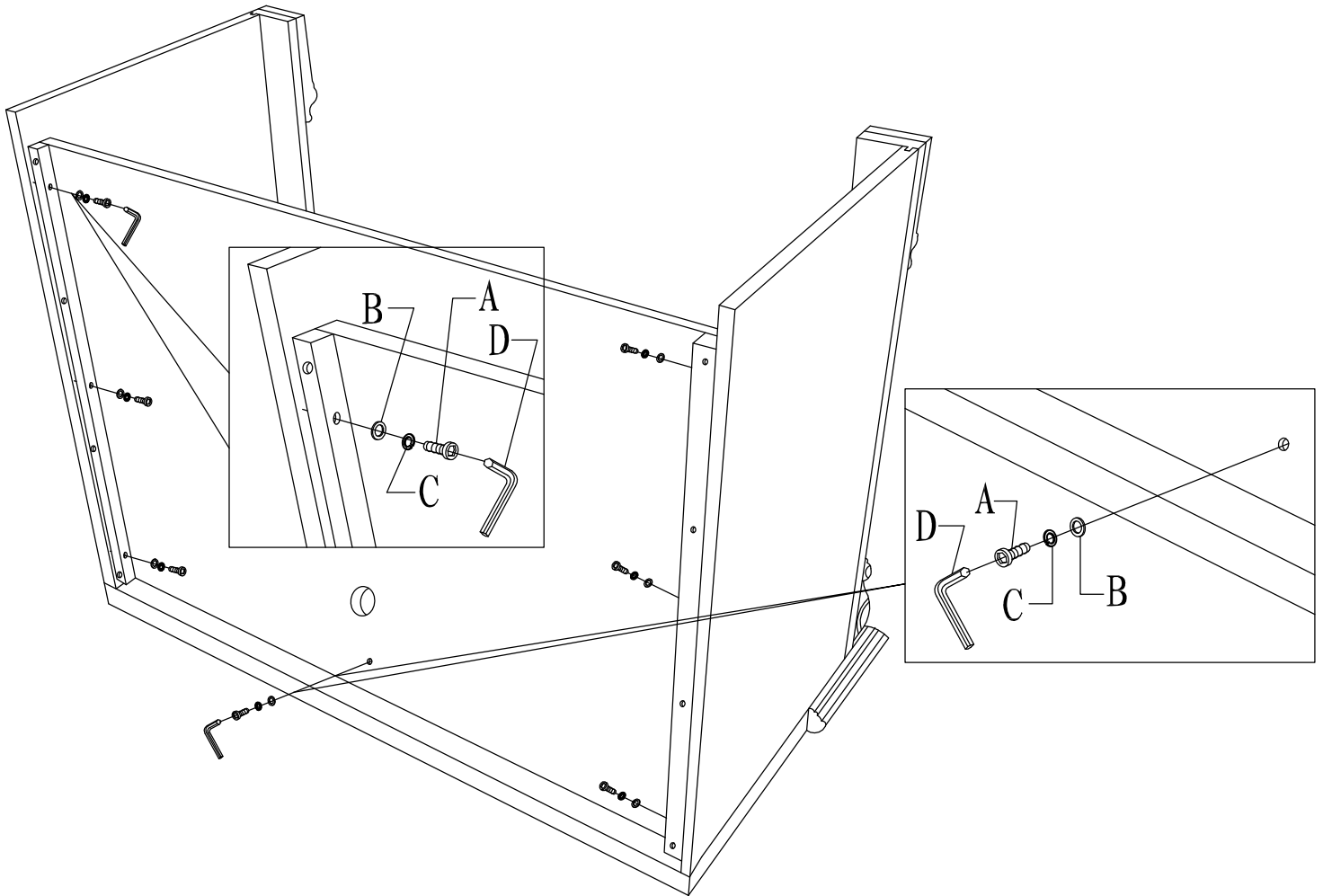
Right side Panel

Assembly Instruction



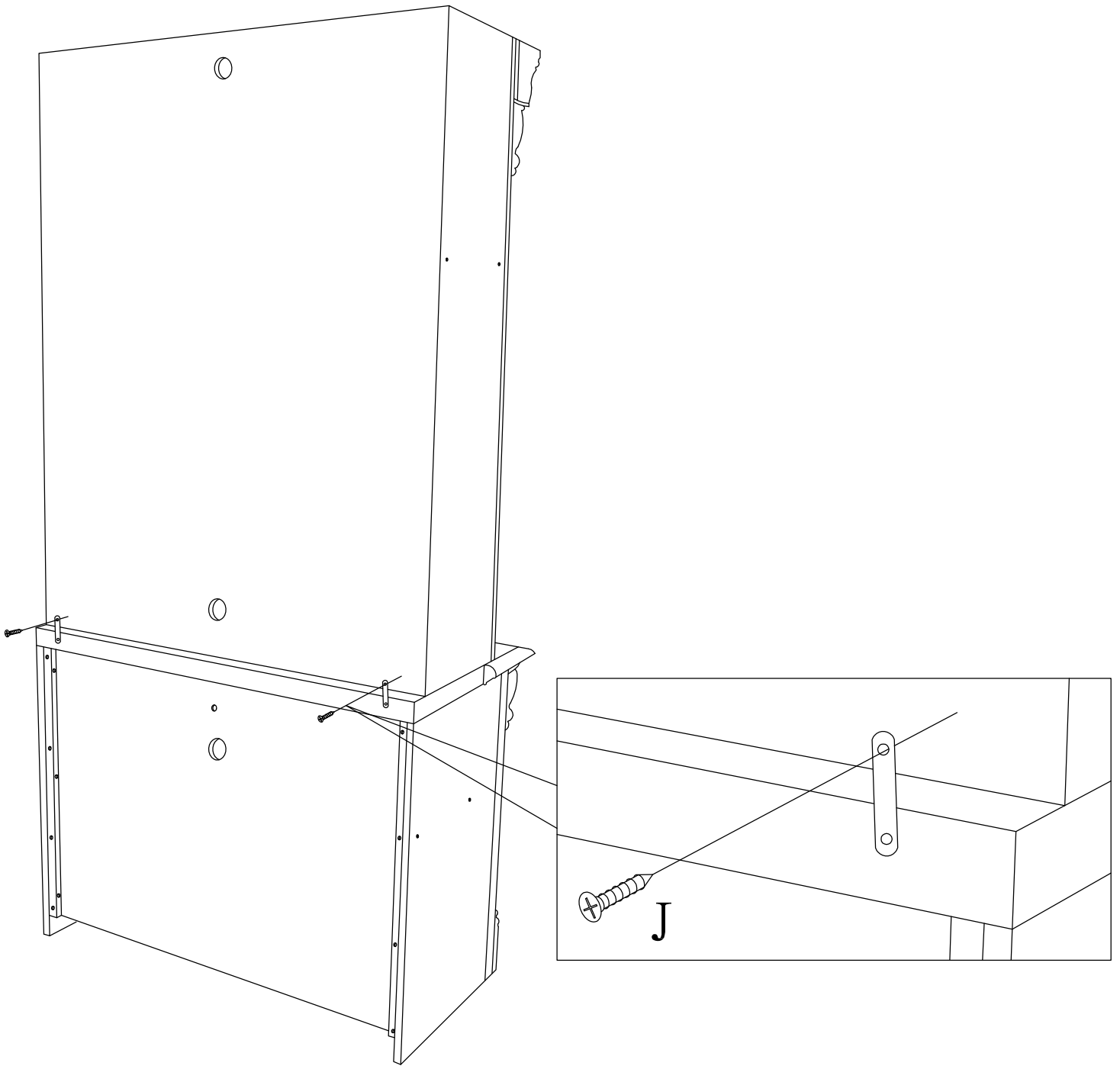
Step 1: Place Desk top face down on soft surface, insert wood dowel(E) to the Desk top, then put the Left side panel to the Desk top, use Flat washer(B), Lock washer(C) & Bolt(A) to secure the Side panel to the Desk top, fully tighten Bolt(A) with Allen Wrench(D). Repeat the same procedure to assemble the Right side panel to the Desk top.

Assembly Instruction



Step 2: Put the Back panel between Left and Right side panels, use Flat washer(B), Lock washer(C) & Bolt(A) to secure Back panel to Left and Right side panels, fully tighten Bolt(A) with Allen Wrench(D). Carefully turn the assembled Desk upright.

Assembly Instruction

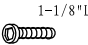






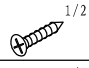
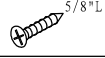


Use Screw(J) to assemble the Hutch to the Desk.

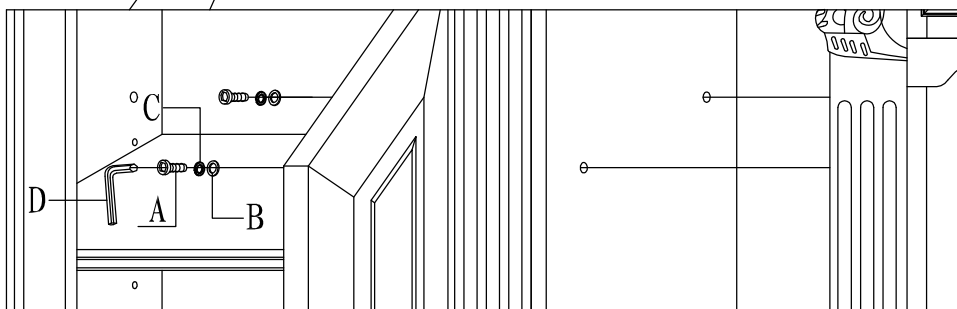
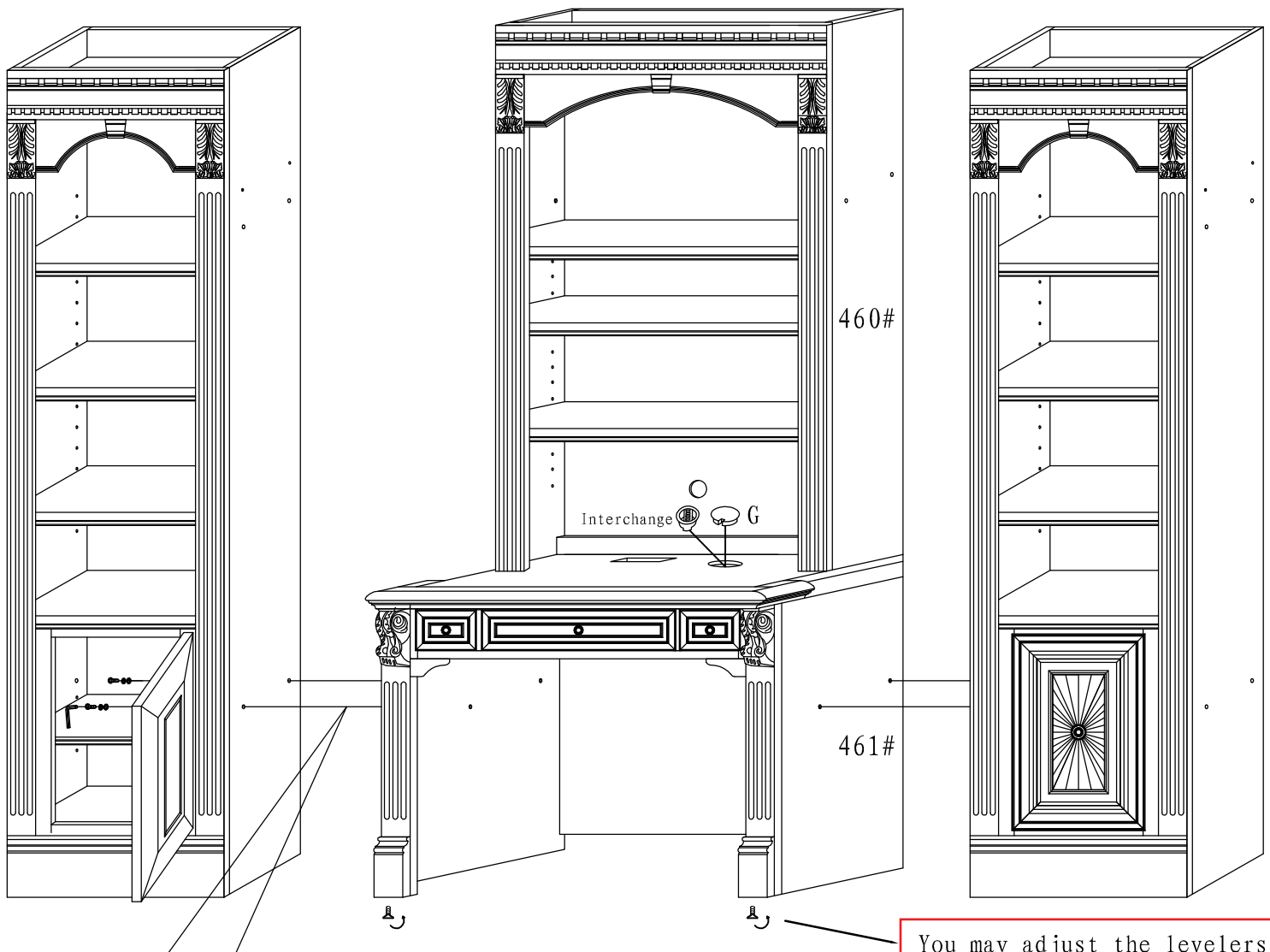
*Be sure to adjust levelers prior to attaching pieces to each other

Assembly Instruction

Item No. HUN-461#

A	Bolt	 1-1/8"L	15pcs
B	Flat washer		15pcs
C	Lock washer		15pcs
D	Allen Wrench	 4MM	1pc
G	Wire lid		1pc

H	Screw	 1/2"L	6pcs
J	Screw	 5/8"L	2pcs
K	Wire buckle		6pcs
L	Pencil		1pc

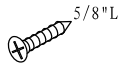

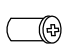


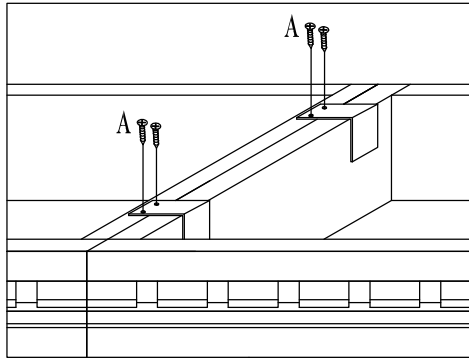
You may adjust the levelers at the bottom of the unit, make the unit at level position.

***Be sure to adjust levelers prior to attaching pieces to each other**

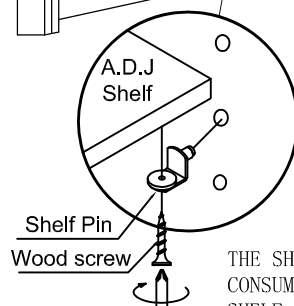
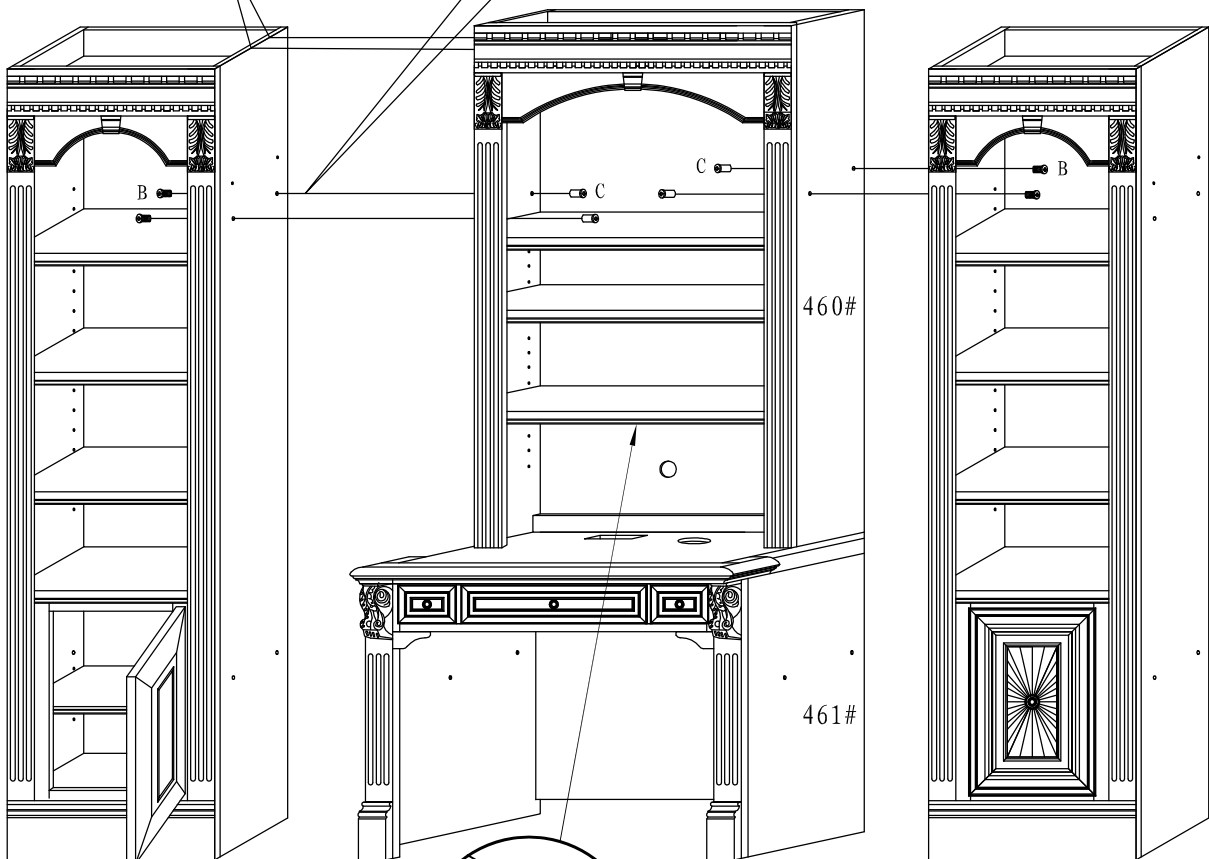
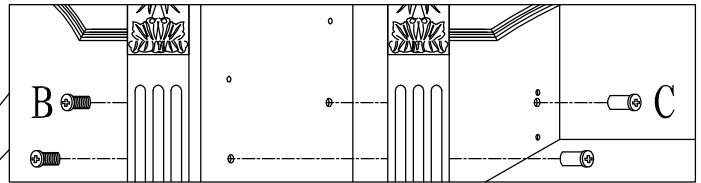
Assembly Instruction

Item No. HUN-460#

A	Screw		8pcs
B	Canular bolt		4pcs
C	Canular bolt		4pcs



After assemble the Hutch to the Desk, it's assemble with other bookcases .Assemble with other Regular Stereo, lock four Bolts(K) prevent 460 the hutch shake.

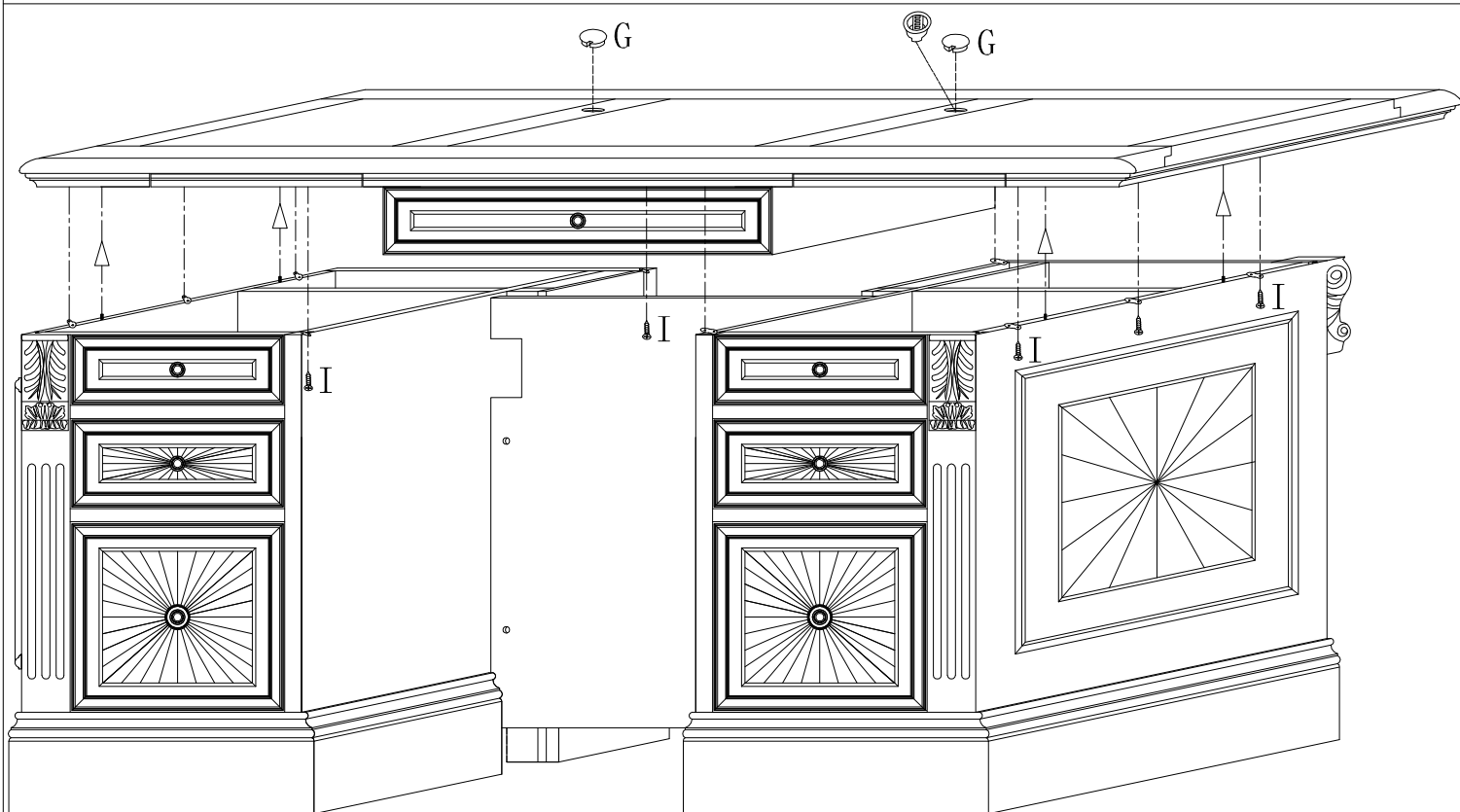


THE SHELVES ARE DETACHABLE, THE CONSUMER CAN FREELY ADJUST THE SHELF SPACNG.

***Be sure to adjust levelers prior to attaching pieces to each other**

Assembly Instruction

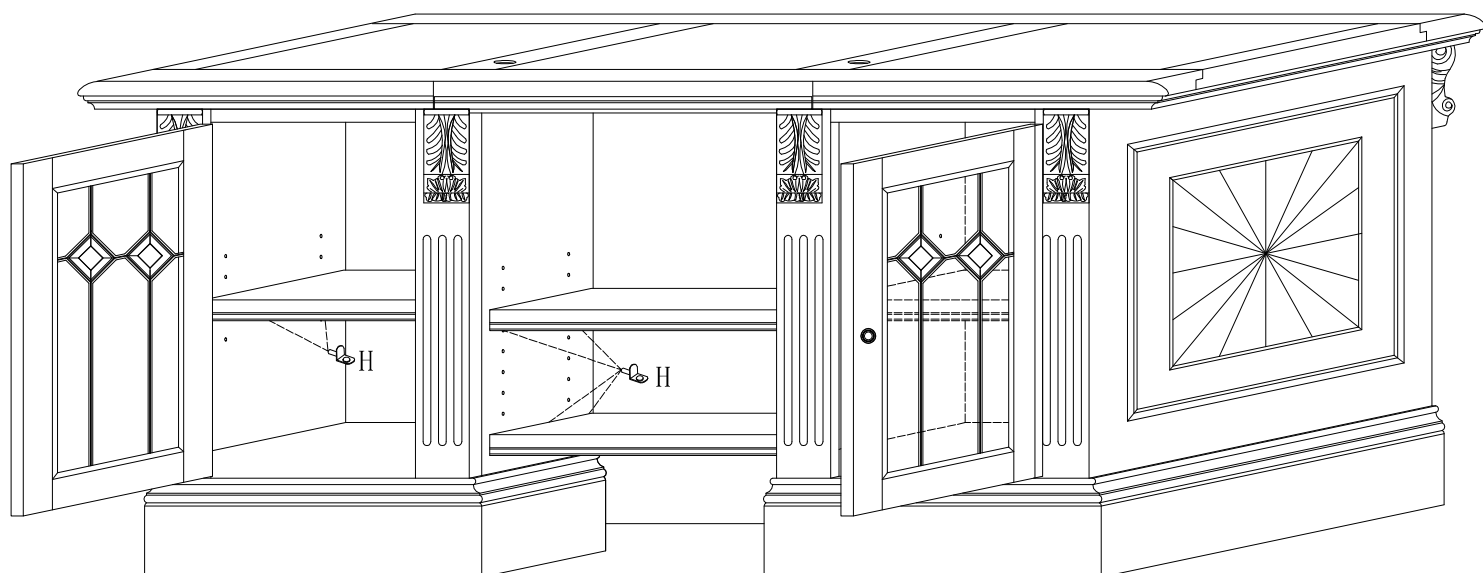
Item No. HUN-480/481/482#



Please disassemble desk for moves of more than a few feet. Always disassemble desk to move from room to room.


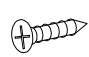
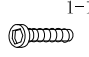


Detail# ③




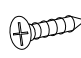
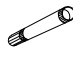
Detail# ④

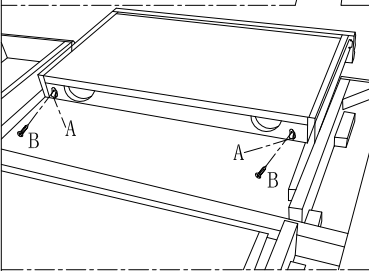
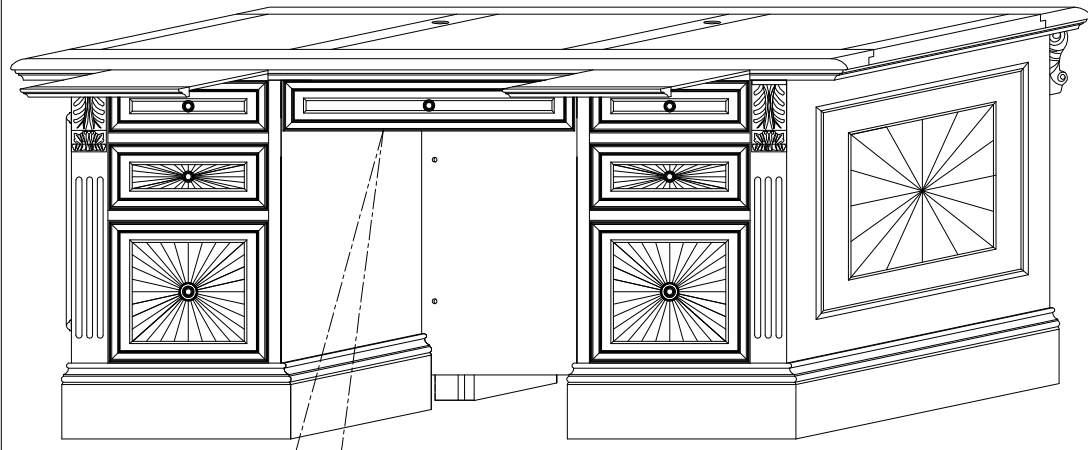


Assembly Instruction

Item No. HUN-480/481/482#

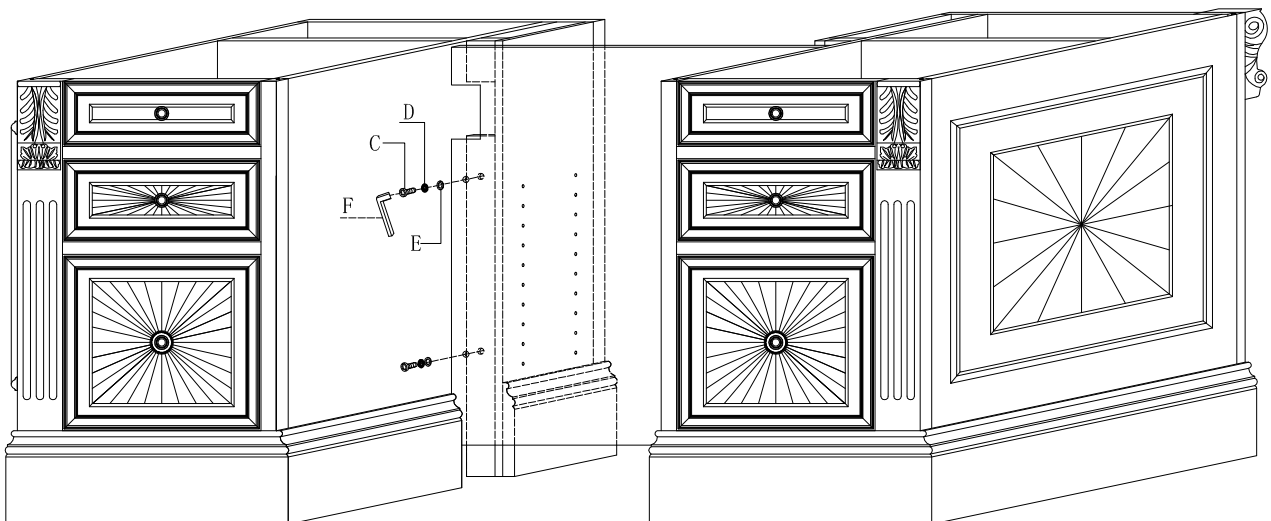
No	Description	Sketch	Q' TY
A	Wire buckle		6pcs
B	Screw		6pcs
C	Bolt		4pcs
D	Lock washer		4pcs
E	Flat washer		4pcs

No	Description	Sketch	Q' TY
F	Allen Wrench		1pc
G	Wire lid		2pcs
H	Shelf cleat		16pcs
I	Screw		10pcs
J	Pencil		1pc



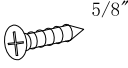
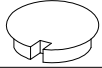

Detail# ①

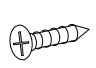
Detail# ②

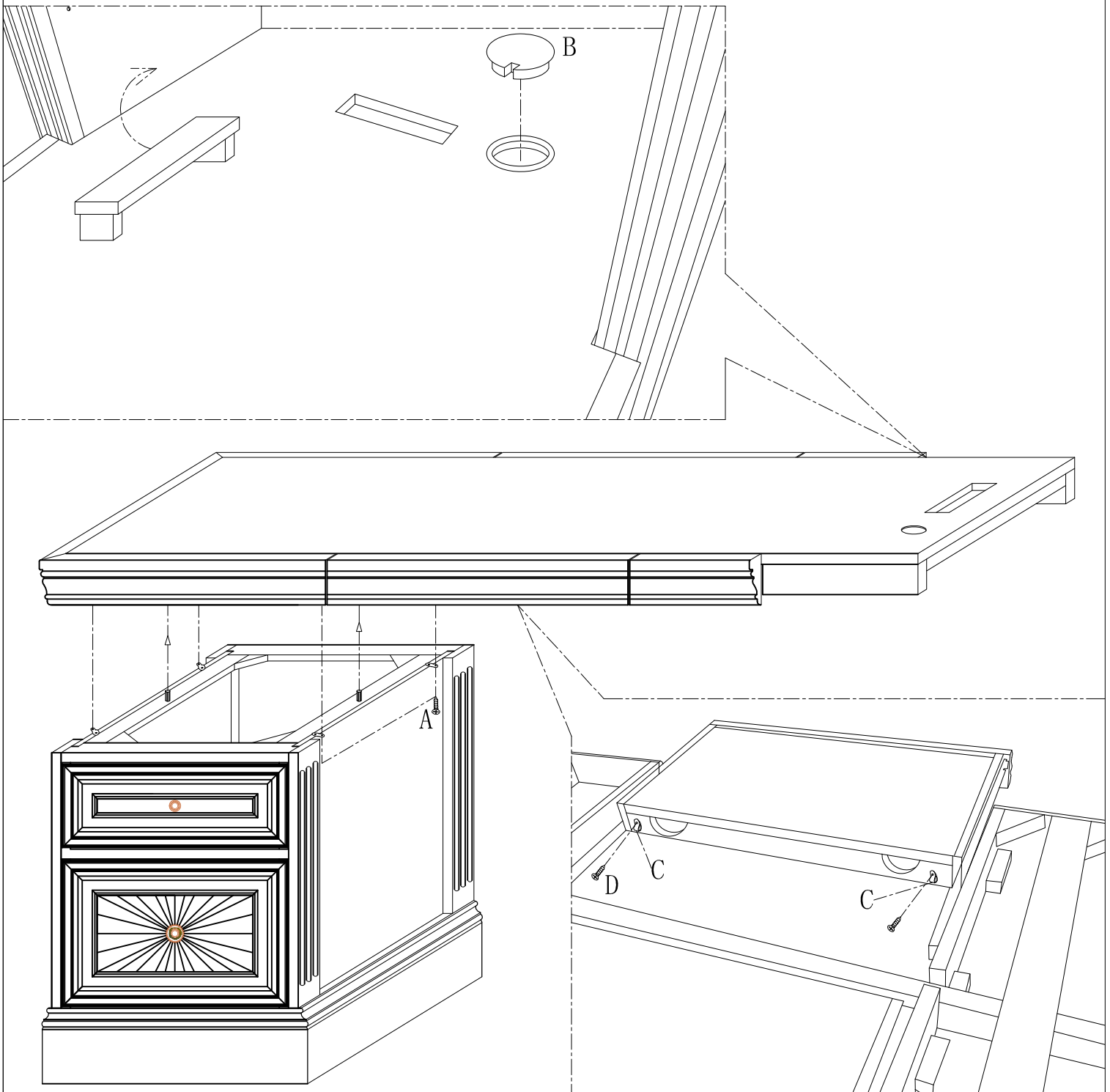


Assembly Instruction

Item No. HUN-490

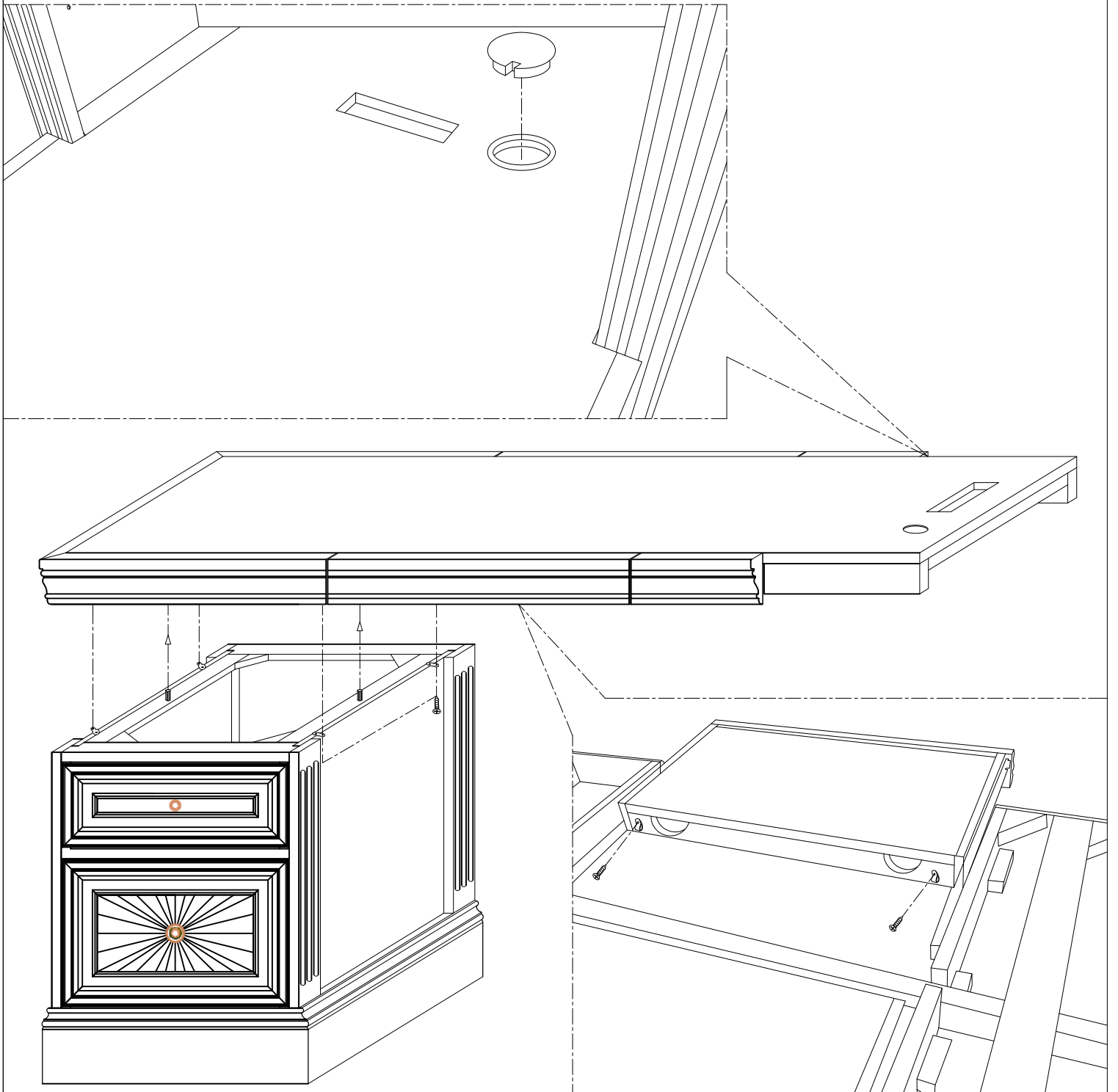
No	Description	Sketch	Q' TY
A	Long screw	 5/8"	4pcs
B	Wire lid		1pc
C	Wire buckle		4pcs

No	Description	Sketch	Q' TY
D	Screw	 1/2"	4pcs




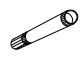
Assembly Instruction

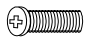
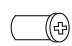
Item No. HUN-491

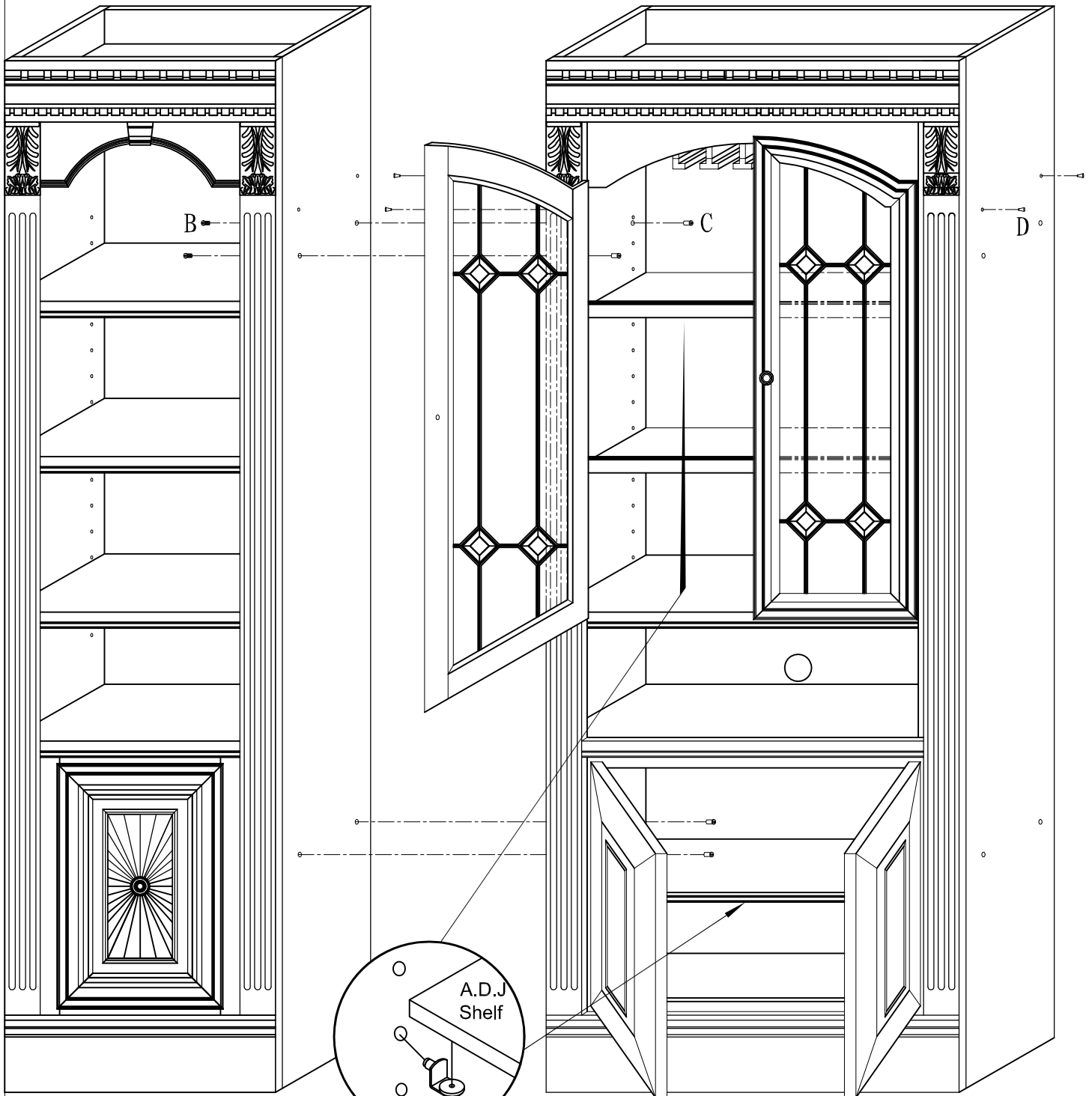


Assembly Instruction

Item No. HUN-440

No	Description	Sketch	Q' TY
D	Stopper		4pcs
E	Pencil		1pc

No	Description	Sketch	Q' TY
B	Canular bolt		4pcs
C	Canular bolt		4pcs


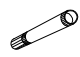




***Be sure to adjust levelers prior to attaching pieces to each other**

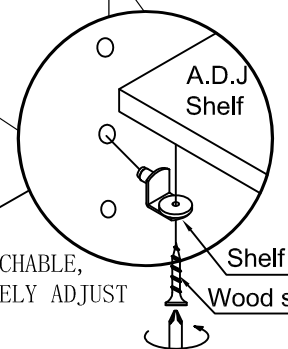
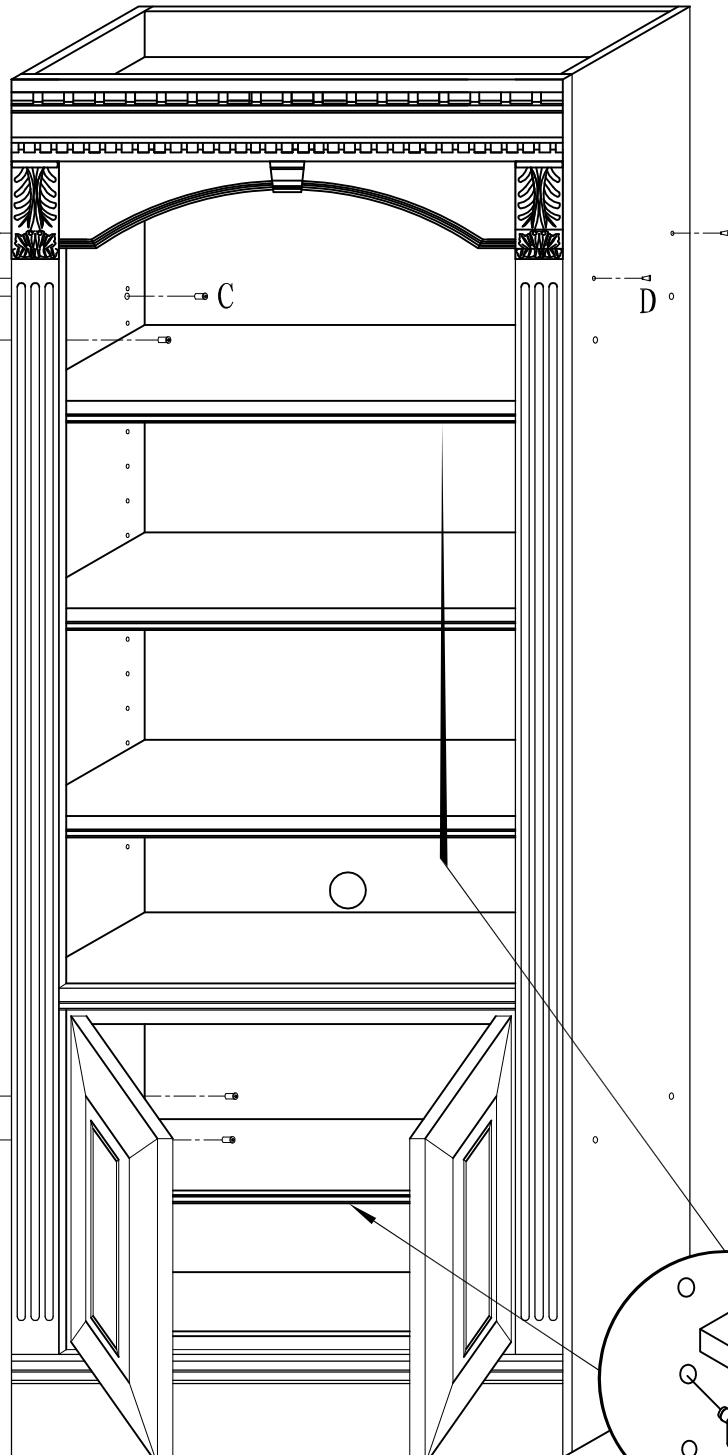
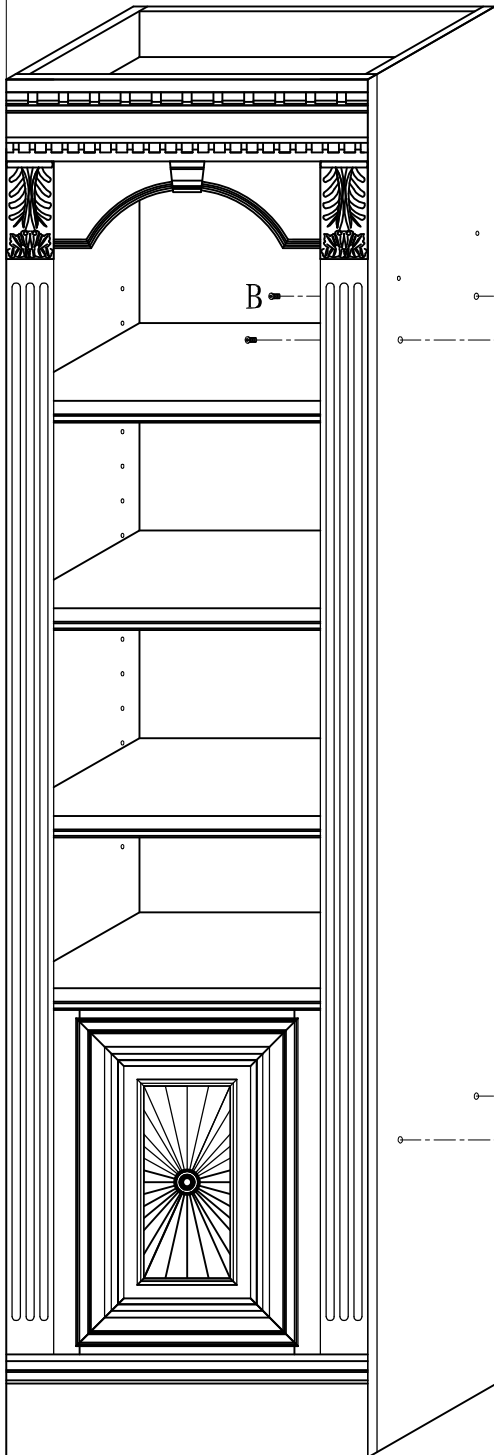
THE SHELVES ARE DETACHABLE, THE CONSUMER CAN FREELY ADJUST THE SHELF SPACING.

Assembly Instruction

Item No. HUN-430

No	Description	Sketch	Q' TY
D	Stopper		4pcs
E	Pencil		1pc

No	Description	Sketch	Q' TY
B	Canular bolt		4pcs
C	Canular bolt		4pcs







***Be sure to adjust levelers prior to attaching pieces to each other**

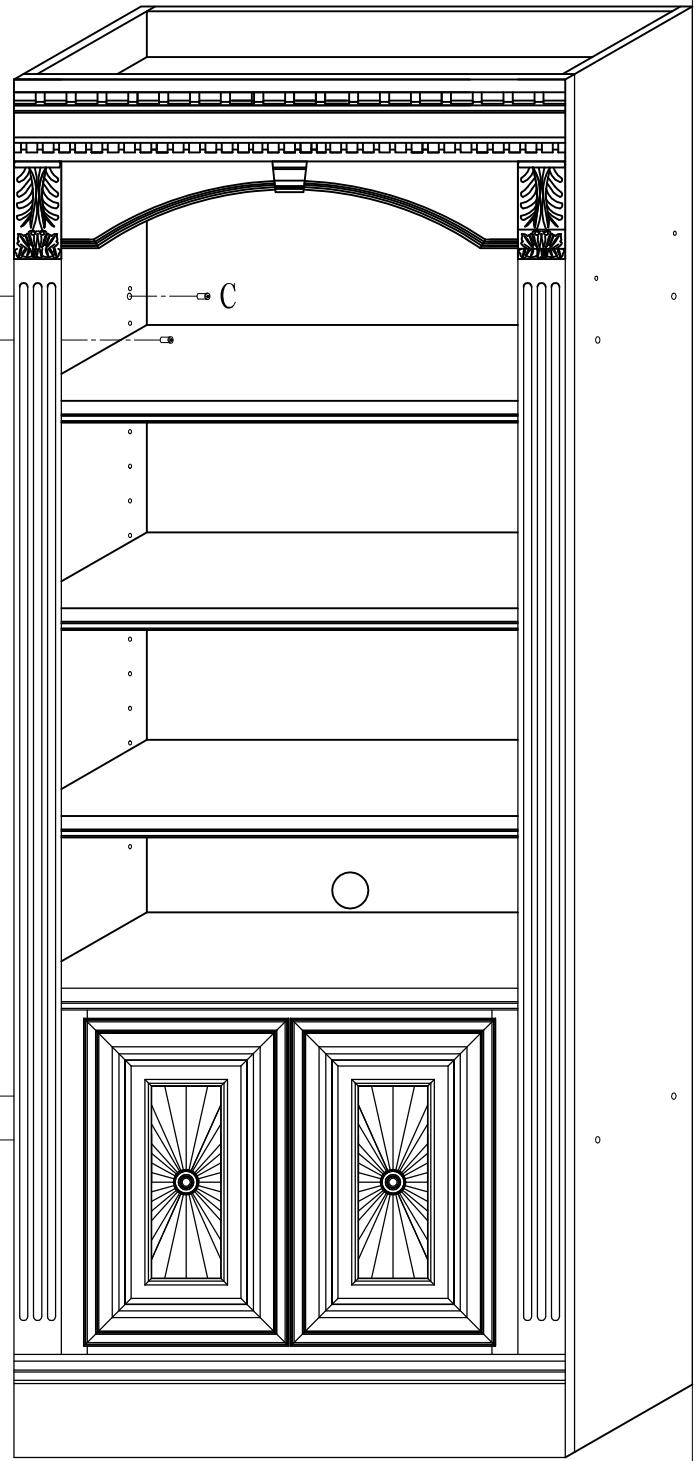
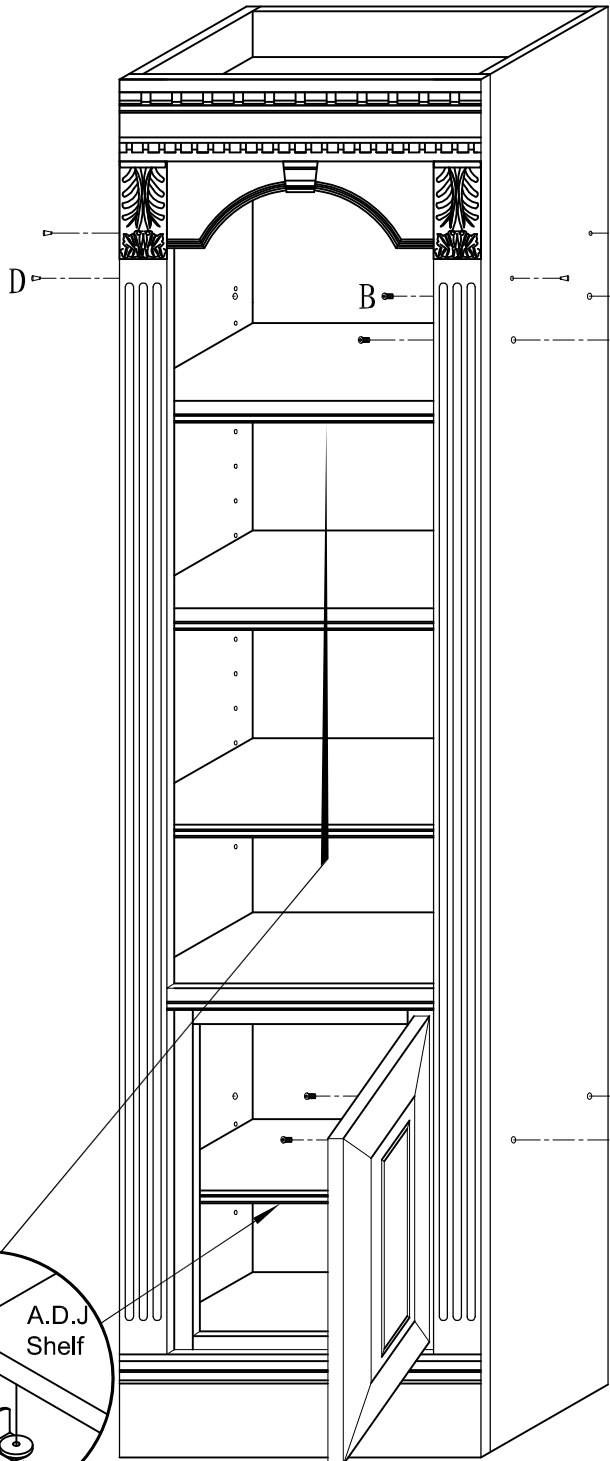
THE SHELVES ARE DETACHABLE, THE CONSUMER CAN FREELY ADJUST THE SHELF SPACING.

Assembly Instruction

Item No. HUN-420

No	Description	Sketch	Q' TY
D	Stopper		4pcs
E	Pencil		1pc

No	Description	Sketch	Q' TY
B	Canular bolt		4pcs
C	Canular bolt		4pcs

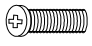
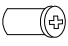


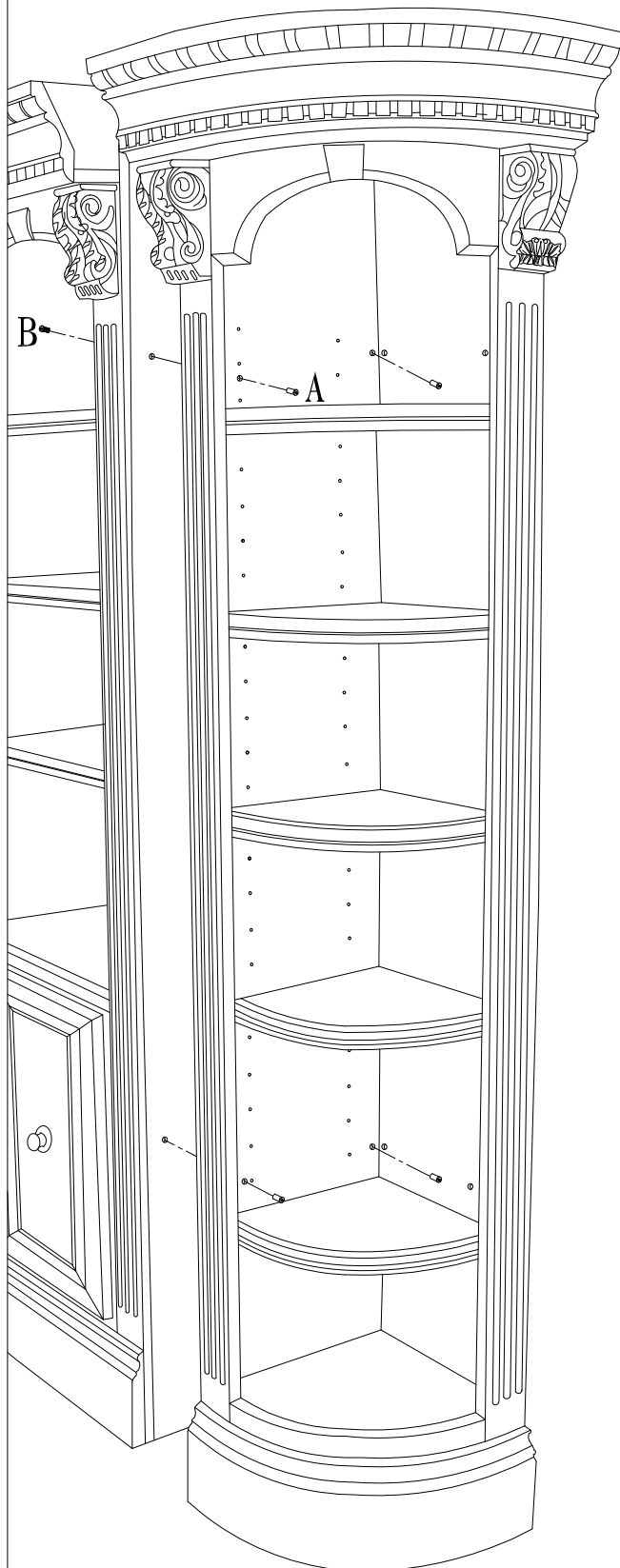
THE SHELVES ARE DETACHABLE,
THE CONSUMER CAN FREELY ADJUST
THE SHELF SPACING.

***Be sure to adjust levelers prior
to attaching pieces to each other**

Assembly Instruction

Item No. HUN-450

No	Description	Sketch	Q' TY
A	Canular bolt		4pcs
B	Canular bolt		4pcs


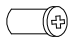


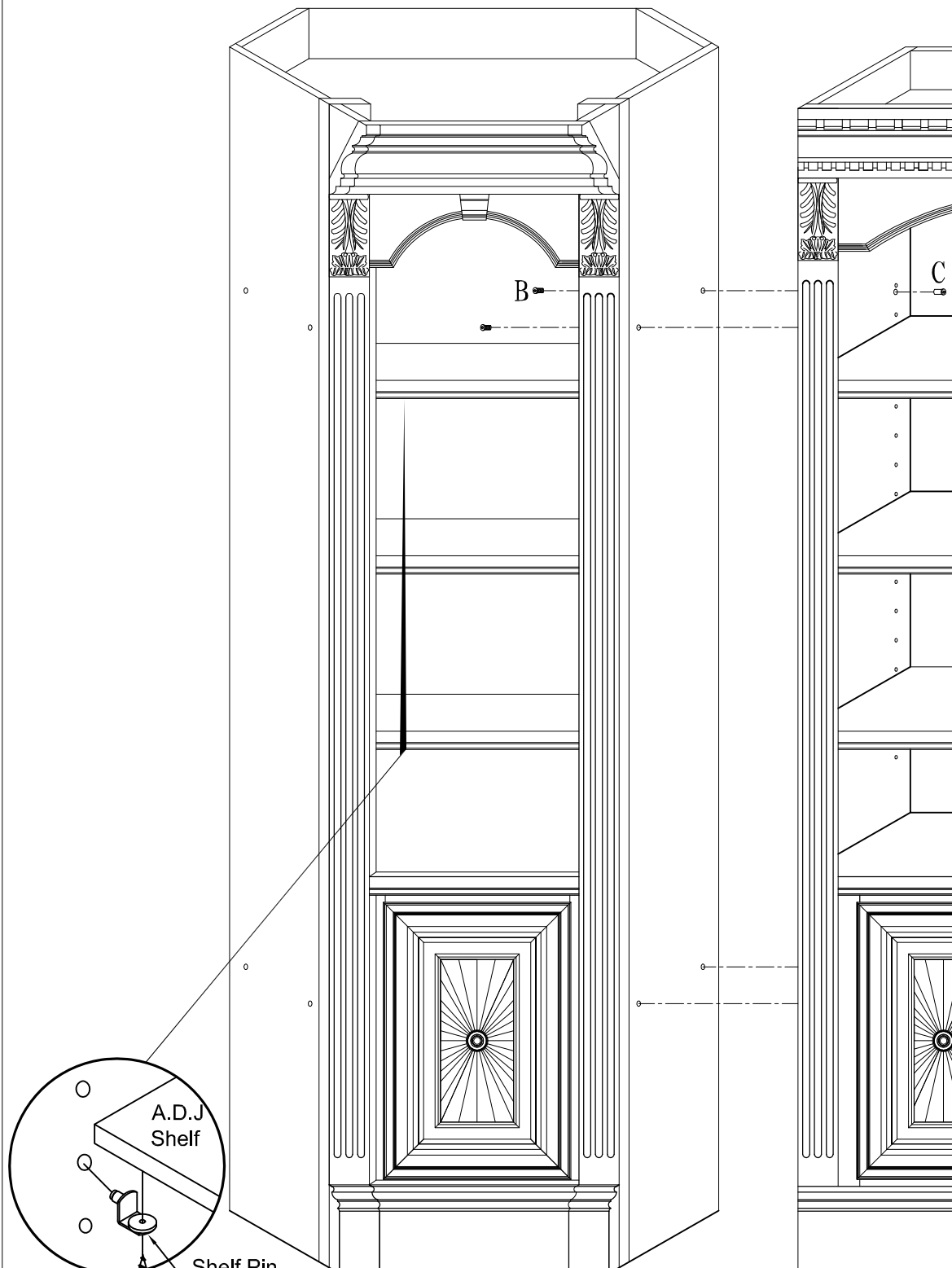
***Be sure to adjust levelers prior to attaching pieces to each other**

Assembly Instruction

Item No. HUN-455

*Be sure to adjust levelers prior to attaching pieces to each other


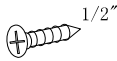
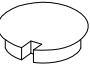

No	Description	Sketch	Q' TY
B	Canular bolt		4pcs
C	Canular bolt		4pcs



THE SHELVES ARE DETACHABLE,
THE CONSUMER CAN FREELY ADJUST
THE SHELF SPACING.

Assembly Instruction

Item No. HUN-485#

No	Description	Sketch	Q' TY
A	Wire buckle		4pcs
B	Screw	 1/2"	4pcs
C	Wire lid		2pcs
D	Pencil		1pc

