







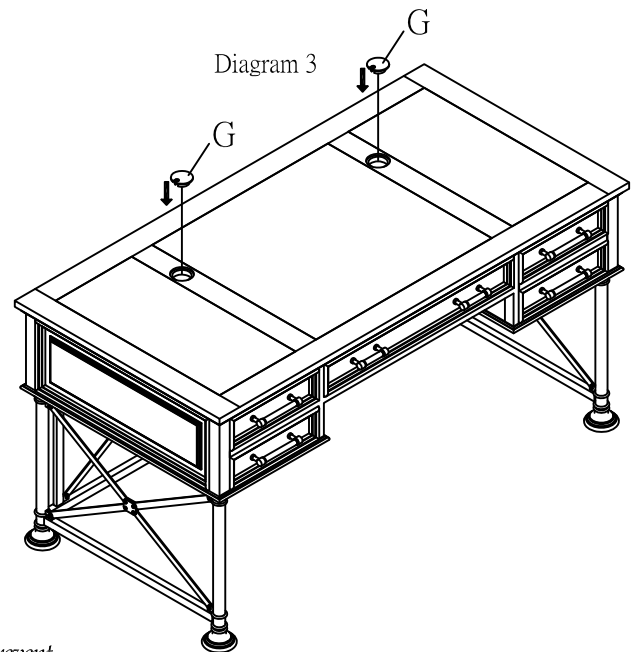
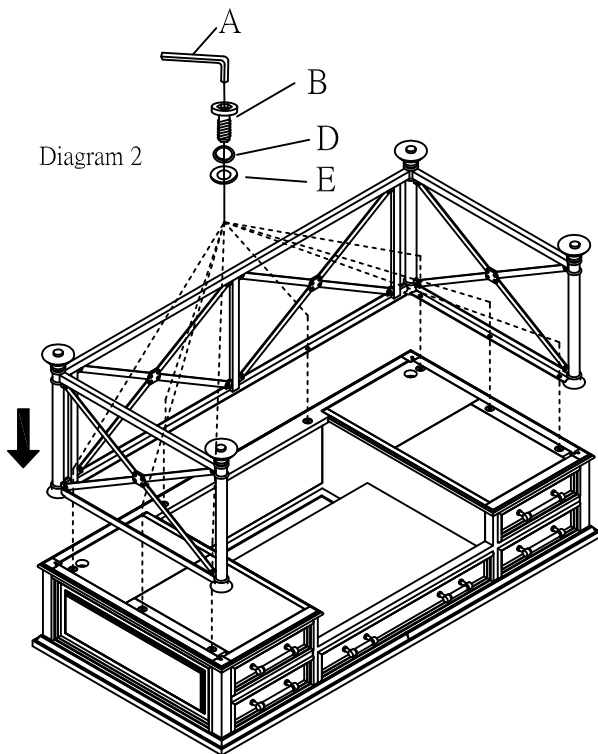
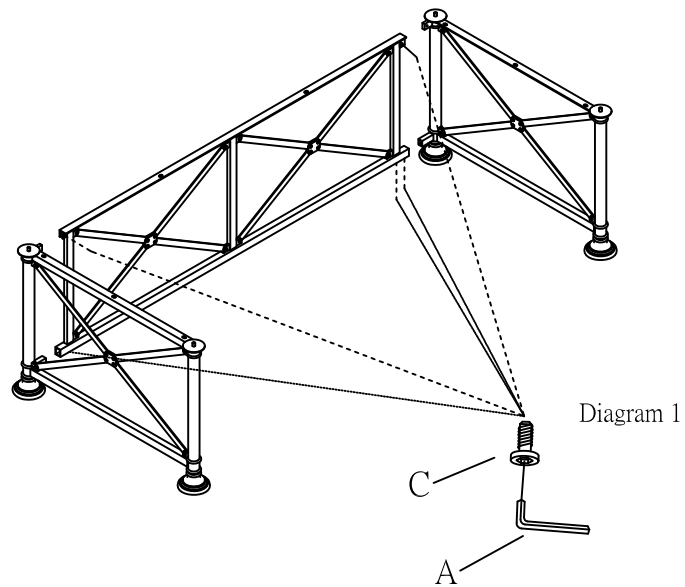


Assembly Instructions

Item NO:GRA#9085

NO	Description	Sketch	QTY
A	Allen Wrench 4mm		1
B	Bolt $\phi 1/4" * 3/4"$		8
C	Bolt $\phi 1/4" * 1/2"$		6
D	Lock Washer $\phi 1/4"$		8
E	Flat Washer $\phi 1/4" * 16mm$		8
F	Touch up Pen		1
G	Wire Grommet		2
J	Allen Wrench 4mm for electric drill		1



Note: If the straight Wrenches (J) are used in a power driver, use care to prevent Bolts from being over tightened and possibly damaging parts.

1. Attach Center Back Frame using Bolts(C) securely to Left and Right End Frame using Wrench(A) as shown in the Diagram 1.
2. Place the Desk Top upside down on a clean blanket, Assemble the Desk Top and Base using Bolts(B), Lock Washer(D), Flat Washers(E) and Allen Wrenches as shown in Diagram 2.
3. Place the whole table is upright and put Wire Grommet (G) in wire access hole found on desk's Top to complete setup as shown in Diagram 3.
4. The levelers in the bottom of the Feet can be adjusted if necessary to compensate for uneven flooring.