



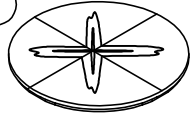
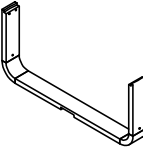
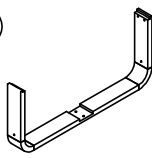
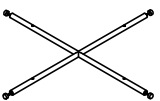
Darker House  
FURNITURE

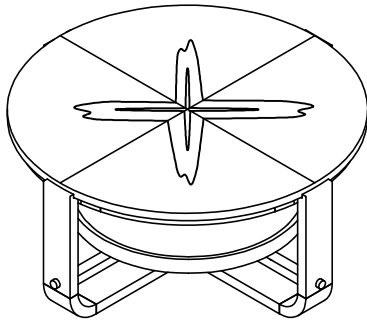
# Assembly Instruction

Item No: ESC#01

Description: Round Cocktail Table with Shelf







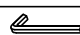
## PARTS LIST:

① 	② 	③ 	④ 
TOP FRAME: 1PC	UPPER LEG: 1PC	LOWER LEG: 1PC	METAL : 1PC

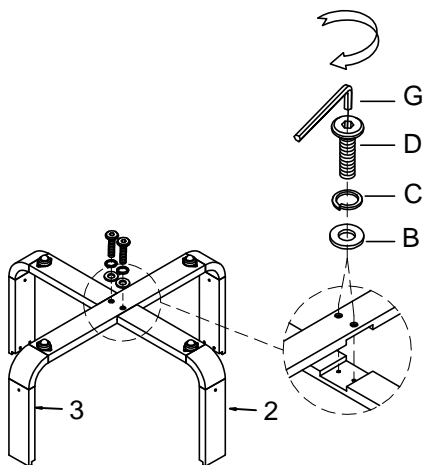


⑤ 
WOODEN TRAY SHELF : 1PC

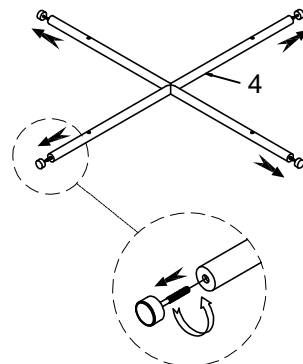
## ⑥ HARAWARE LISTT OF ESC#01

NO.	DRAWING	DESCRIPTION	
A		Touch Pen	1Pc
B		Flat Washer $\phi 1/4"$ x 16*2mm	10Pcs
C		Spring Washer $\phi 1/4"$	10Pcs
D		Bolt $\phi 1/4"$ x 1"	2Pcs
E		Bolt $\phi 1/4"$ x 1-3/4"	8Pcs
F		Bolt $\phi 1/4"$ x 1-1/2"	4Pcs
G		Allen Key 4mm	1Pc

### STEP 1



### STEP 2





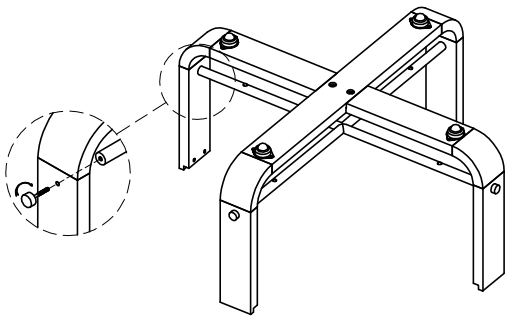
Darker House  
FURNITURE

# Assembly Instruction

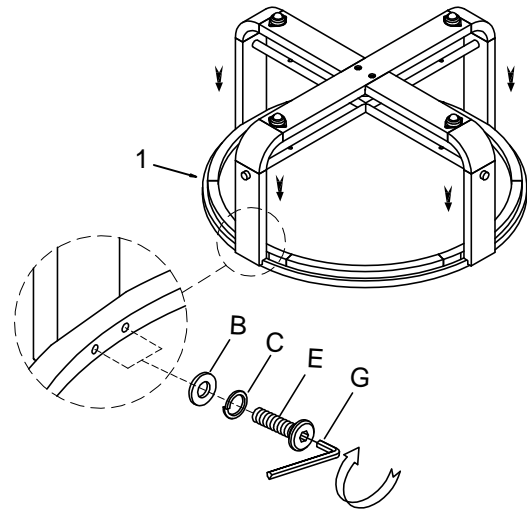
Item No: ESC#01

Description: Round Cocktail Table with Shelf

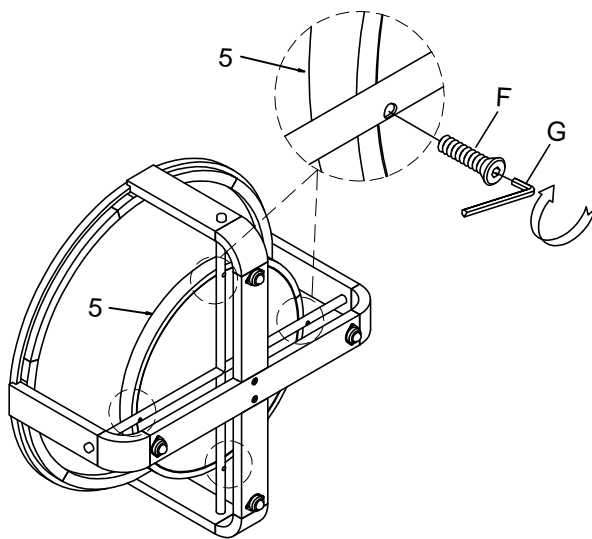
## STEP 3



## STEP 4



## STEP 5



Completed

