



Parker House
FURNITURE

Assembly Instruction

Item No: EPAL#15X / EPAL#250P
Description : PADABLE CONSOLE / PIERS

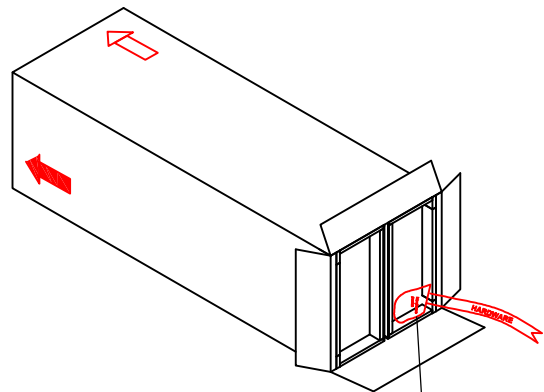
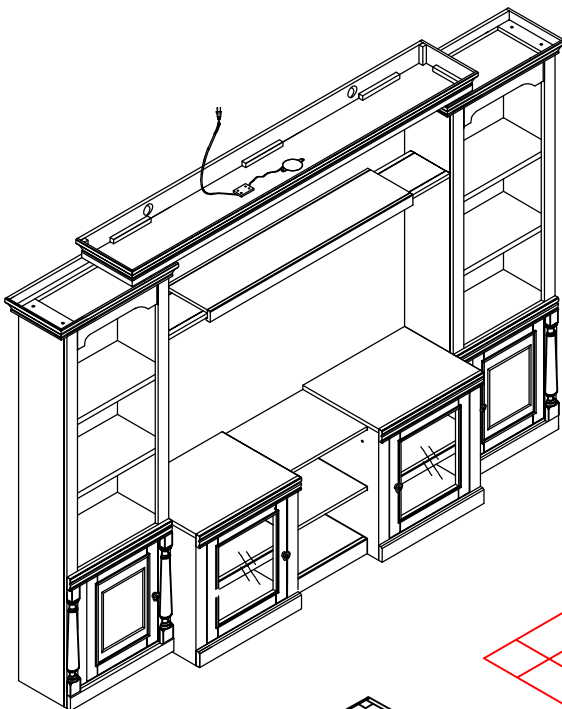
Rev1: 2021-07-28

HARDWARE LIST

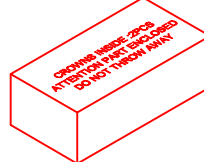
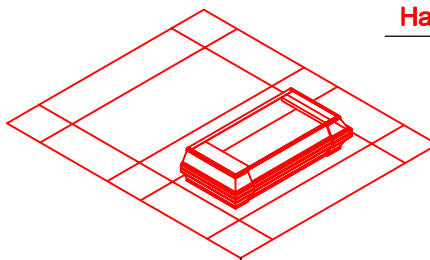
No	Description	Sketch	Q'TY
A	Allen Wrench 4mm		2PCS
B	Bolt Ø5/16x1 "		4PCS
C	Screw cap Ø5/16x5/8 "		4PCS
D	Flat Washer Ø5/16x19mm		4PCS
E	Wood screw 1"		8PCS

PARTS LIST

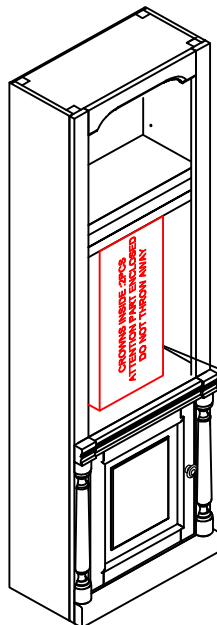
CONSOLE (1PC)	CROWNS (2PCS)	LEFL PIER (1PC)
①	②	③
RIGHT PIER (1PC)		
④		



Hardware pack is here



Top crown pack here .



CROWNS INSIDE 2PCS
ATTENTION PAPER ENCLOSED
DO NOT THROW AWAY!



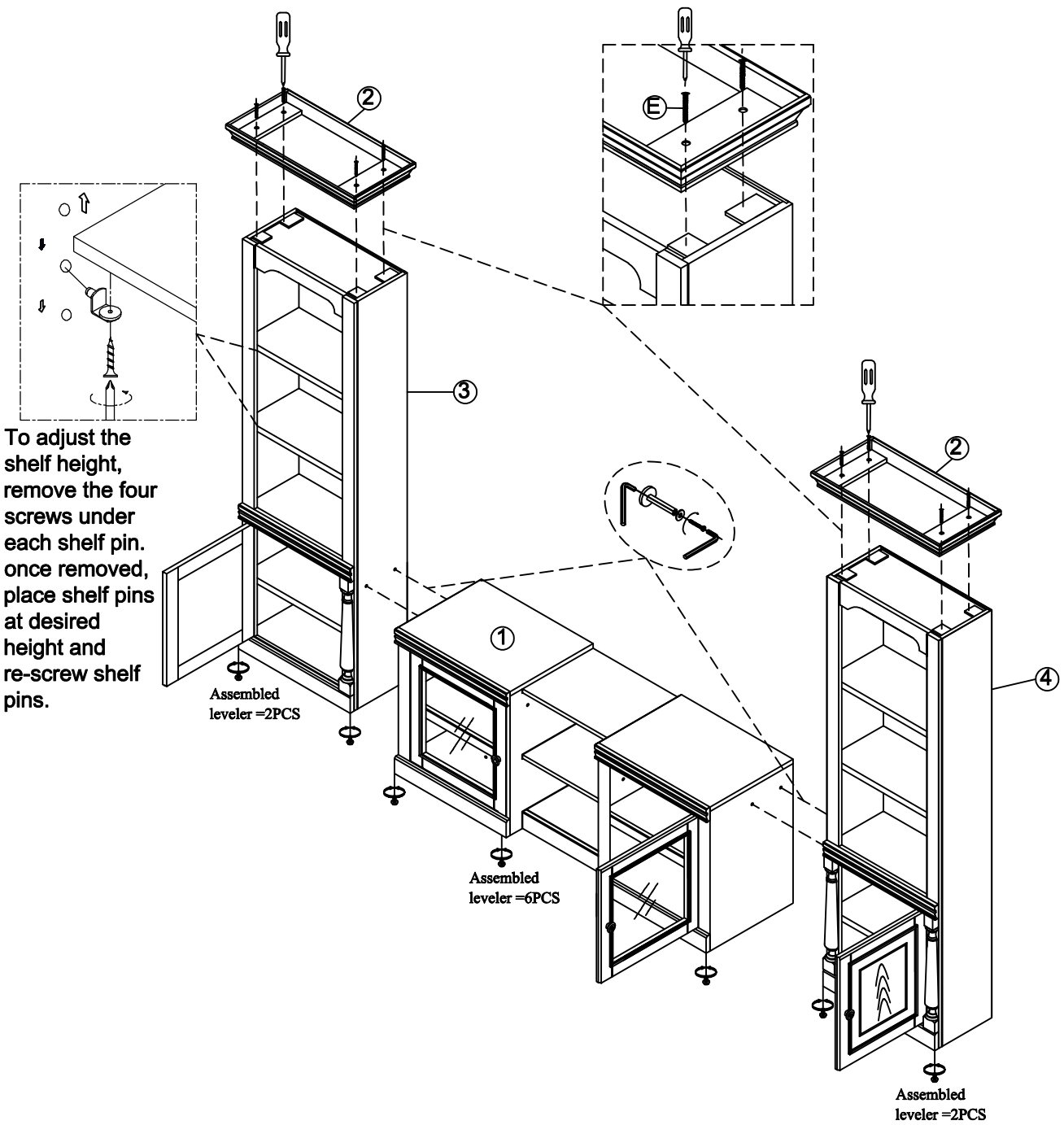
Parker House
FURNITURE

Assembly Instruction

Item No: EPAL#15X / EPAL#250P

Description : PADABLE CONSOLE / PIERS

Rev1: 2021-07-28





Parker House
FURNITURE

Assembly Instruction

Item No: EPAL#15X / EPAL#250P / EPAL#100

Description : PADABLE CONSOLE / PIERS / BRIDGE, SHELF & BACK PANEL

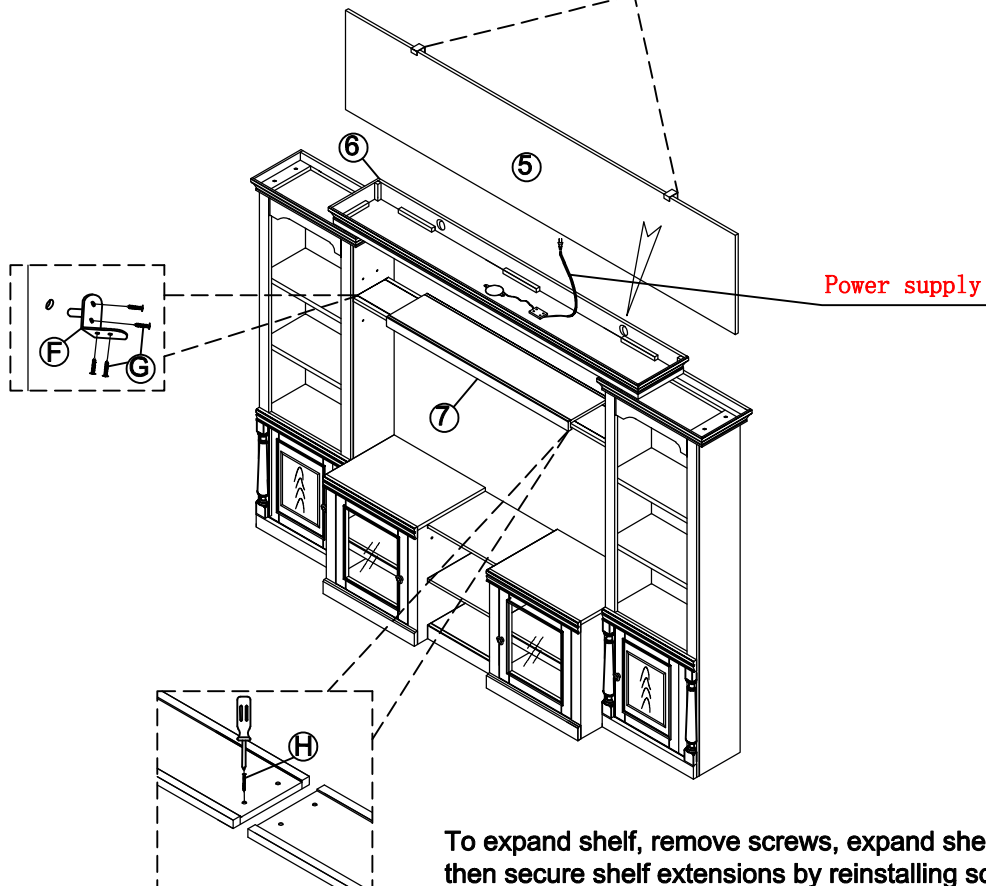
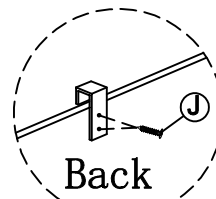
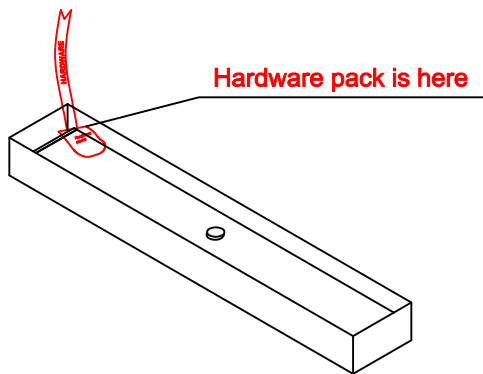
Rev1: 2021-07-28

HARDWARE LIST

No	Description	Sketch	Q'TY
F	Hooking		4PCS
G	Wood screw 5/8"		16PCS
H	Wood screw 7/8"		4PCS
I	"L" Hooking		2PCS
J	Wood screw 1/2"		4PCS

PARTS LIST

BACK PANEL (1PC)	BRIDGE (1PC)	SHELF (1PC)
⑤	⑥	⑦



To expand shelf, remove screws, expand shelf extensions, then secure shelf extensions by reinstalling screws.

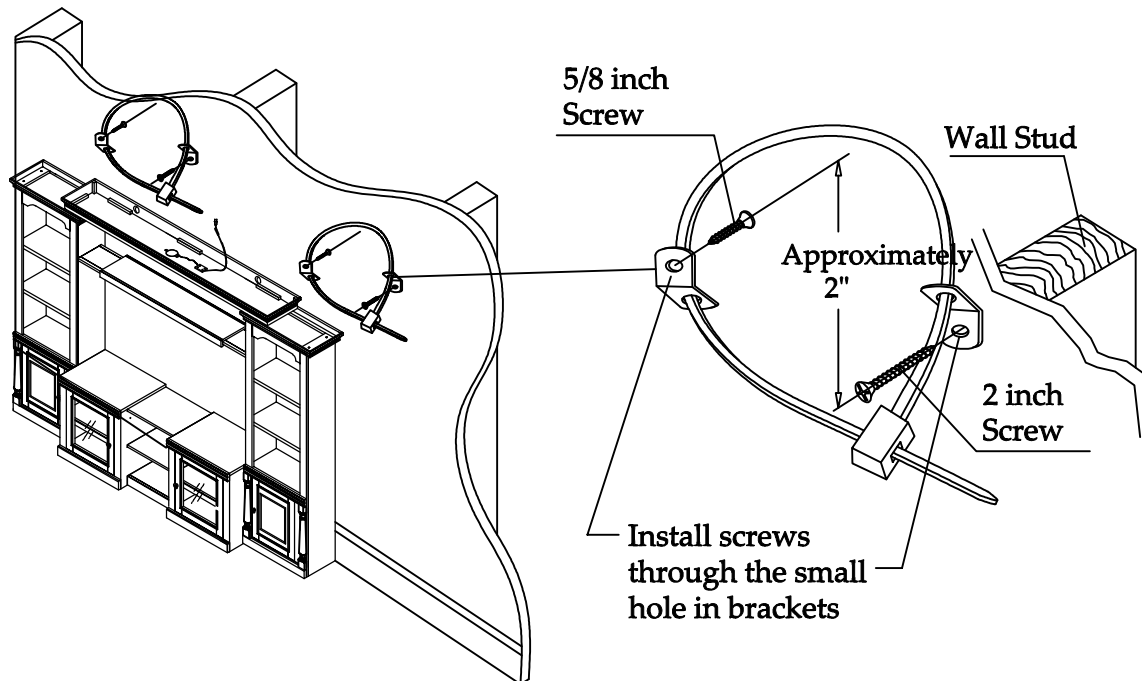


Parker House
FURNITURE

Anti-Tip Hardware Installation Instructions

Rev1: 2021-07-28

Notice: In homes where small children may be present, Parker House recommends that steps be taken for certain furniture items to prevent or minimize the risk of tip-over. This furniture is equipped with Tip-over Restraint Hardware for use to minimize this risk, if used. Please follow below installation steps. Parker House recommends that parents and guardians periodically visit the U.S. Consumer Product Safety Commission (CPSC) website at <http://www.cpsc.gov/> and stay up to date on all issues related to children's product safety.



1. Temporarily locate the furniture to near its final location in the room next to a wall. Locate a wall stud behind your furniture and also mark the stud's location on the back of your furniture.
2. Firmly attach one bracket to the stud approximately 2" below the top of the furniture with the **2 inch long** Wood Screws provided. It may be necessary to drill 3/32 dia. pilot holes for the screws.
3. Firmly attach the other bracket onto a solid, structural part on the back of the furniture using the **5/8 inch long** Wood Screws. It may also be necessary to pilot bore for these screws.
4. Move the furniture into its final position, taking care to line up the wall bracket with the furniture bracket. Thread a strap through the bracket as shown in the illustration. Tighten strap until snug but do not over tighten.

Caution: Parker House assumes no liability for improper installation or excessive loads placed on screws, brackets or straps. Failure to detach this restraint before moving furniture may result in personal injury and property damage.

Warning: This tip-over restraint is not to be a substitute for proper adult supervision. Do not allow children to climb on furniture. Items left on top of the TV and furniture, such as toys, remote controls, and treats might tempt young children to climb. Push the TV as far back as possible from the front of its stand. Place electrical cords out of a child's reach, and teach children not to play with the cords.