
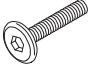






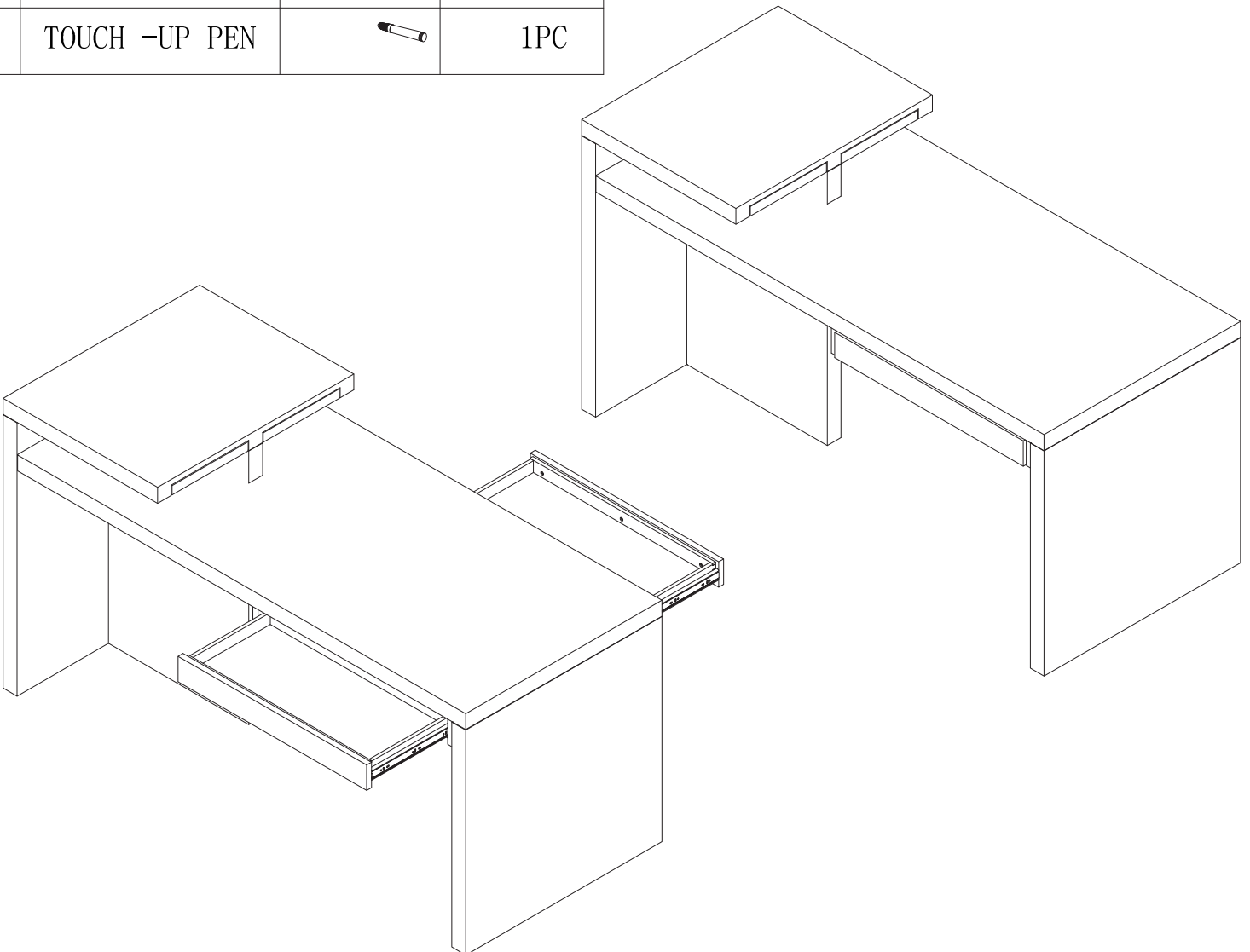
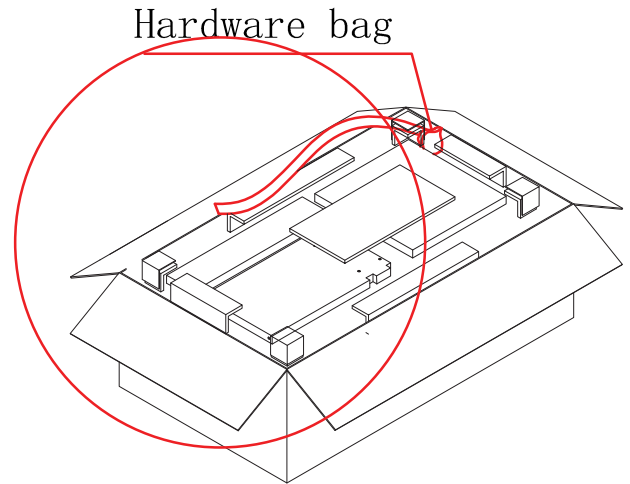


No	Description	Sketch	Q' Ty
Hardware bag			1PC
A	Bolt		21 PCS
B	Flat washer		21 PCS
C	wood dowel		2 PCS
D	Half Moon Spacers Washer		1PC
	Hanger Bolt		1PC
	Nuts		1PC
E	Open wrench		1PC
F	Allen Wrench		1PC
G	TOUCH -UP PEN		1PC





Parker House®
FURNITURE

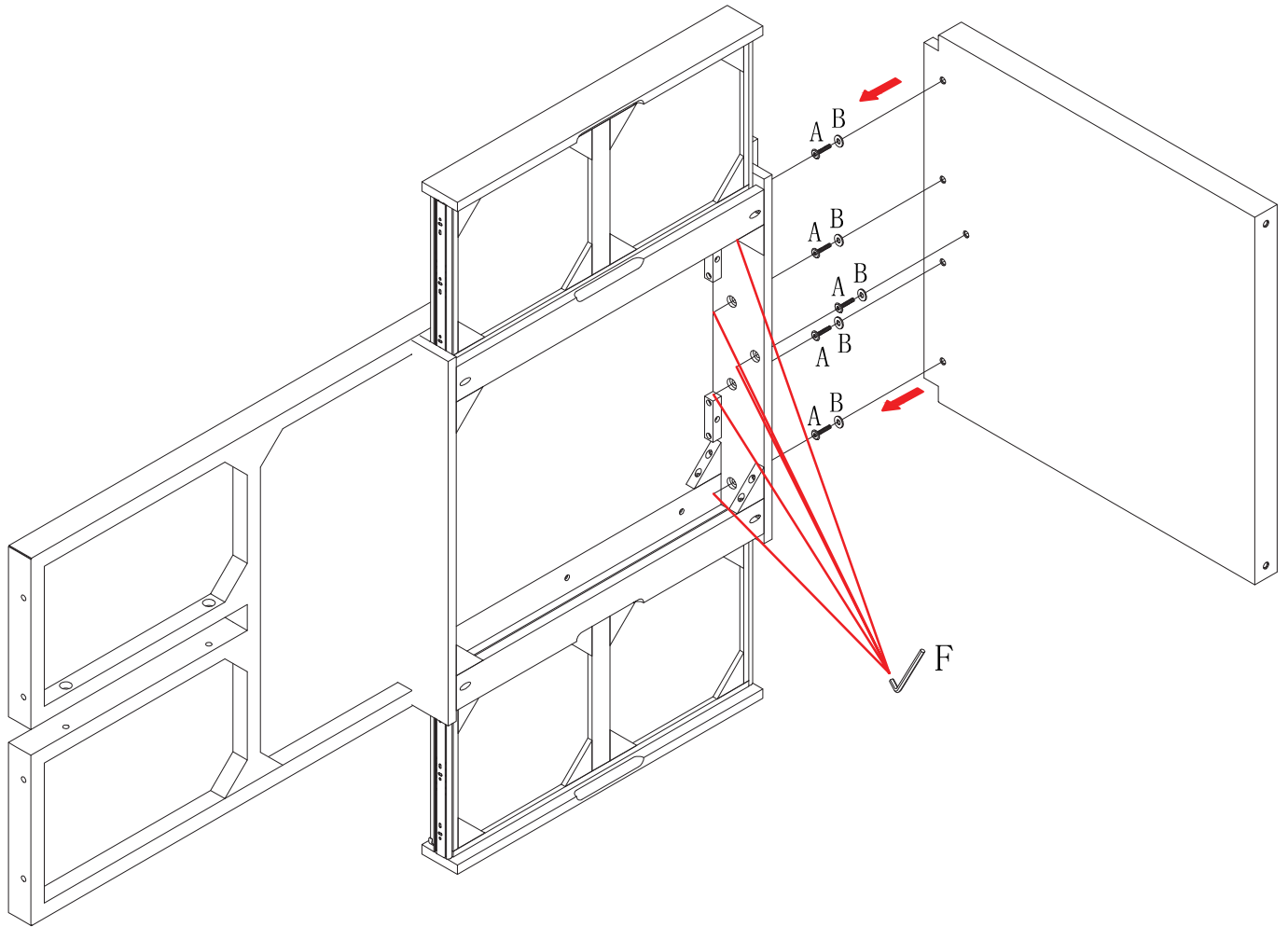
Assembly Instruction

Elevation 66" Writing Desk

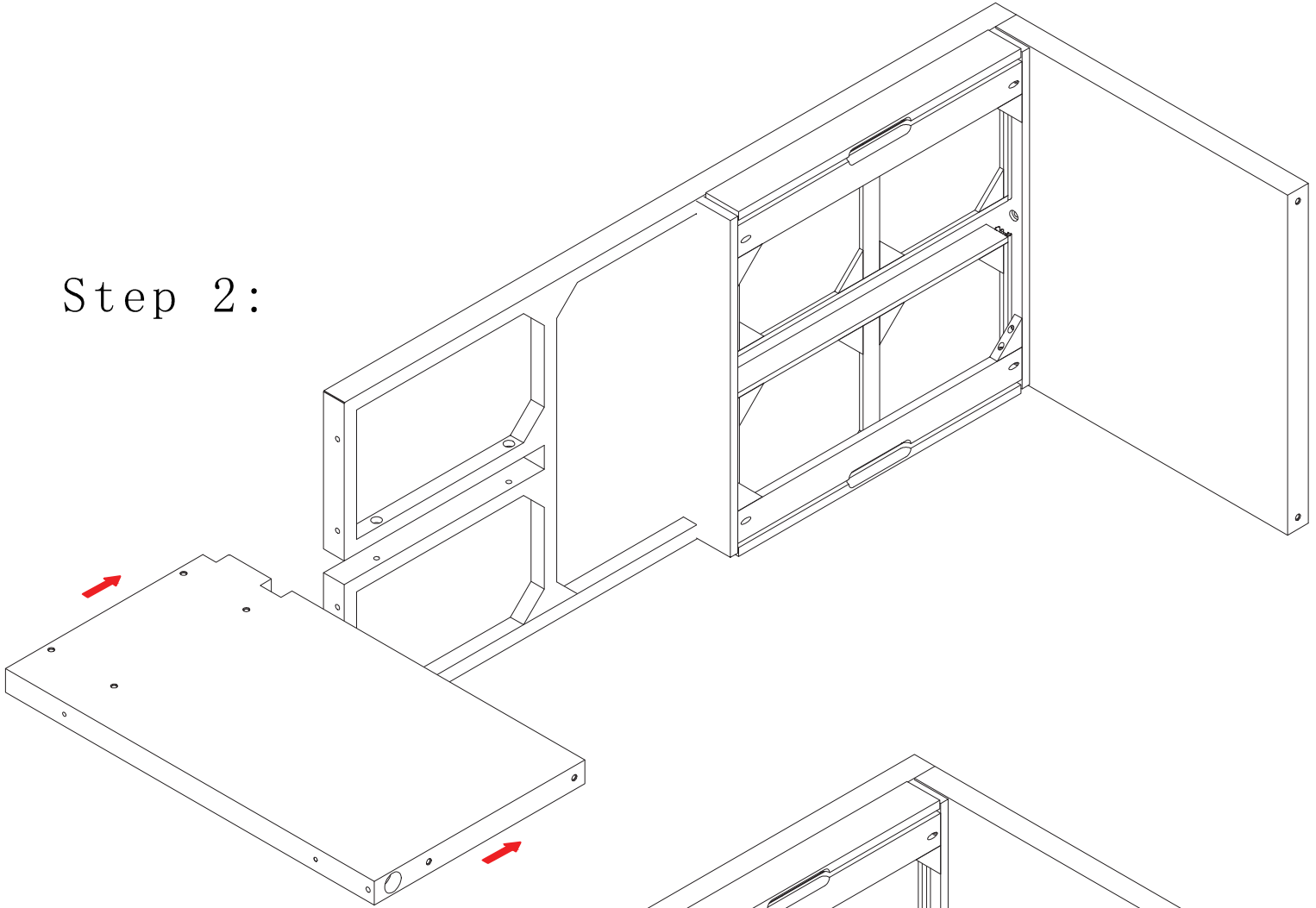
ELE#366D

2/5

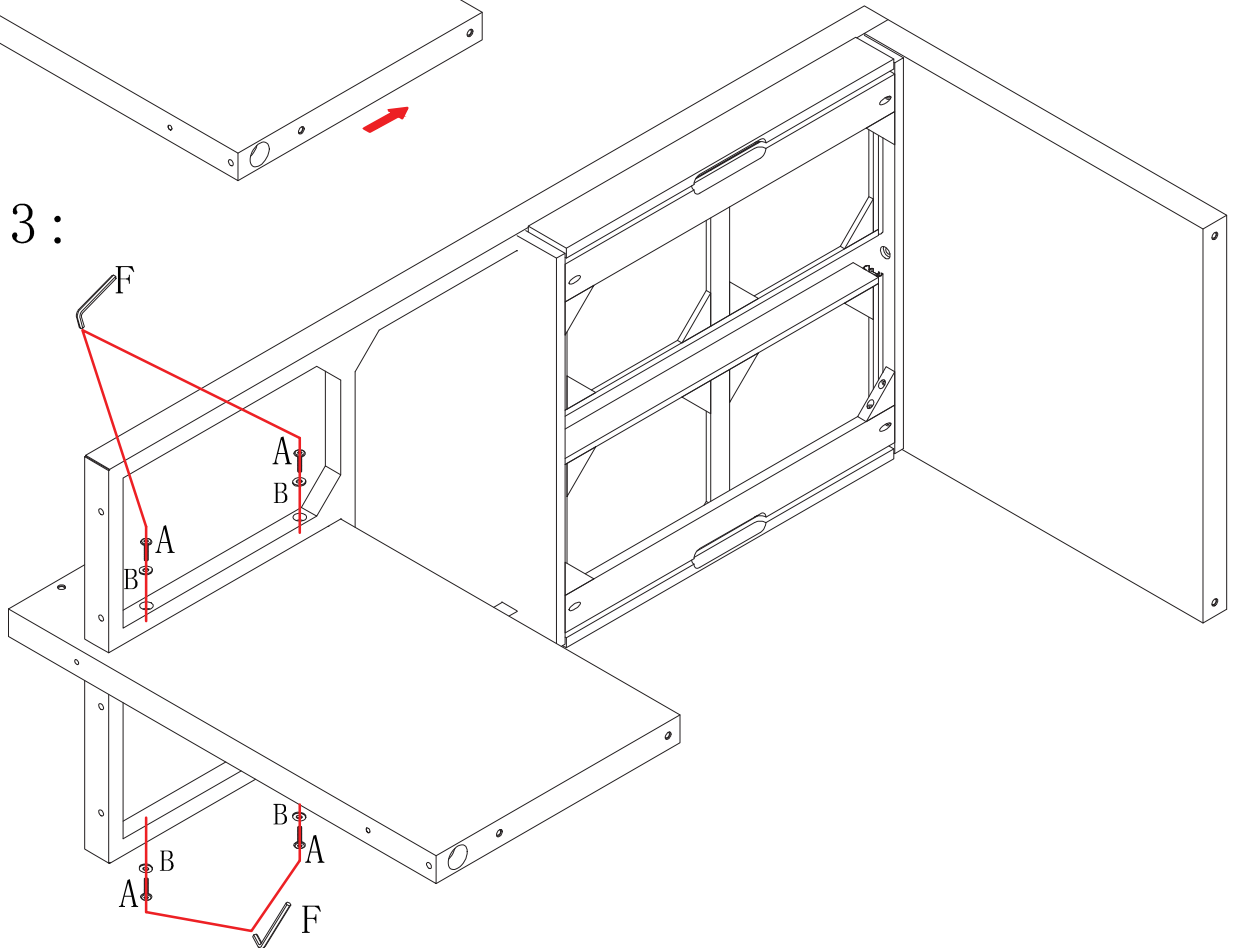
Step 1:



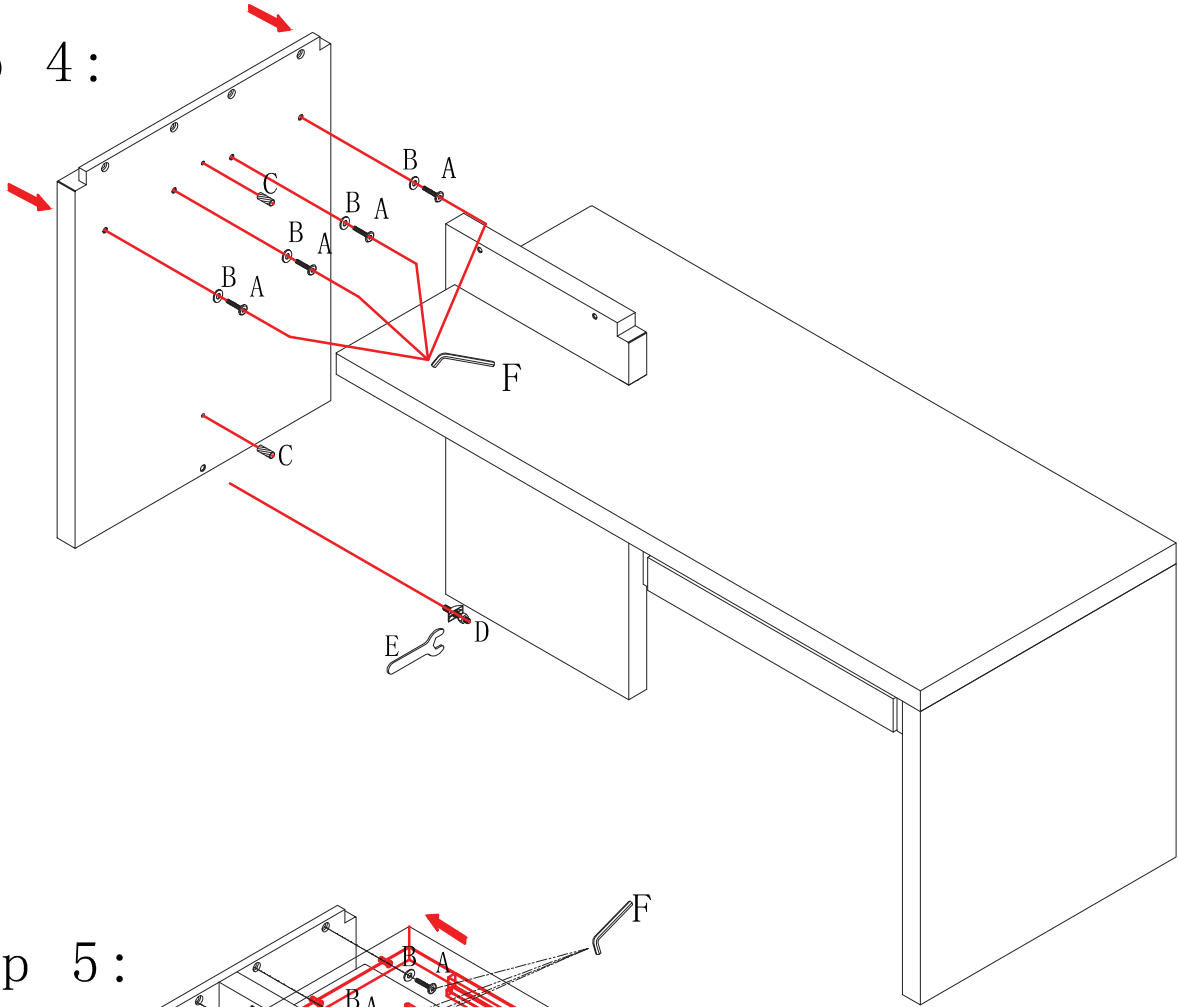
Step 2:



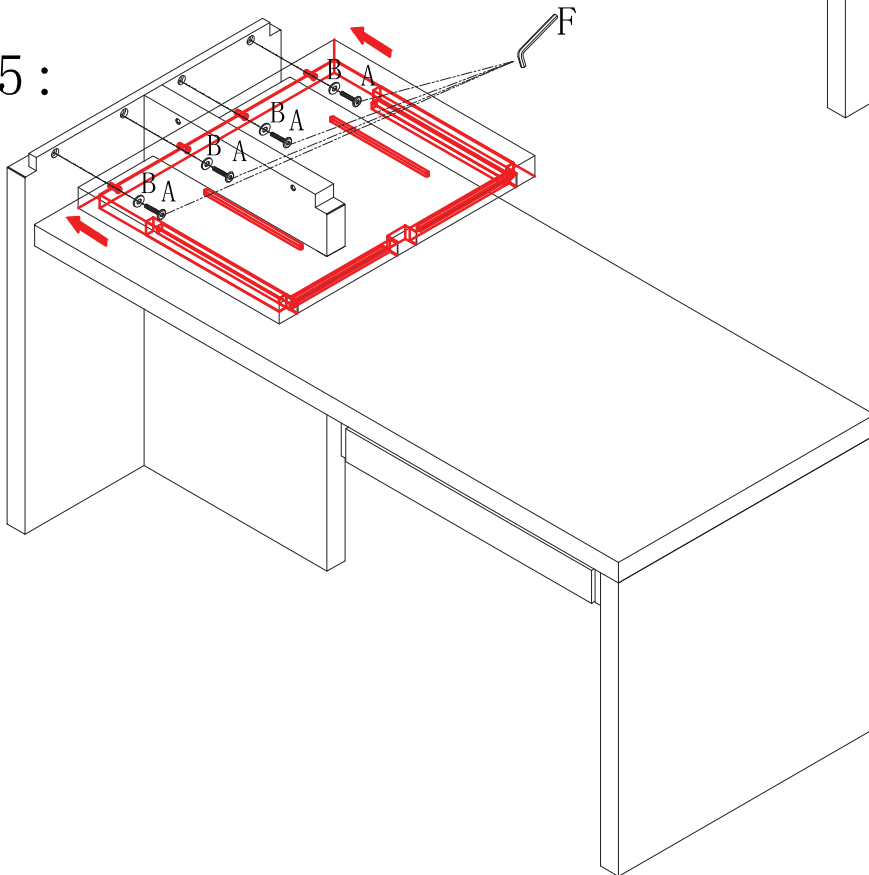
Step 3:



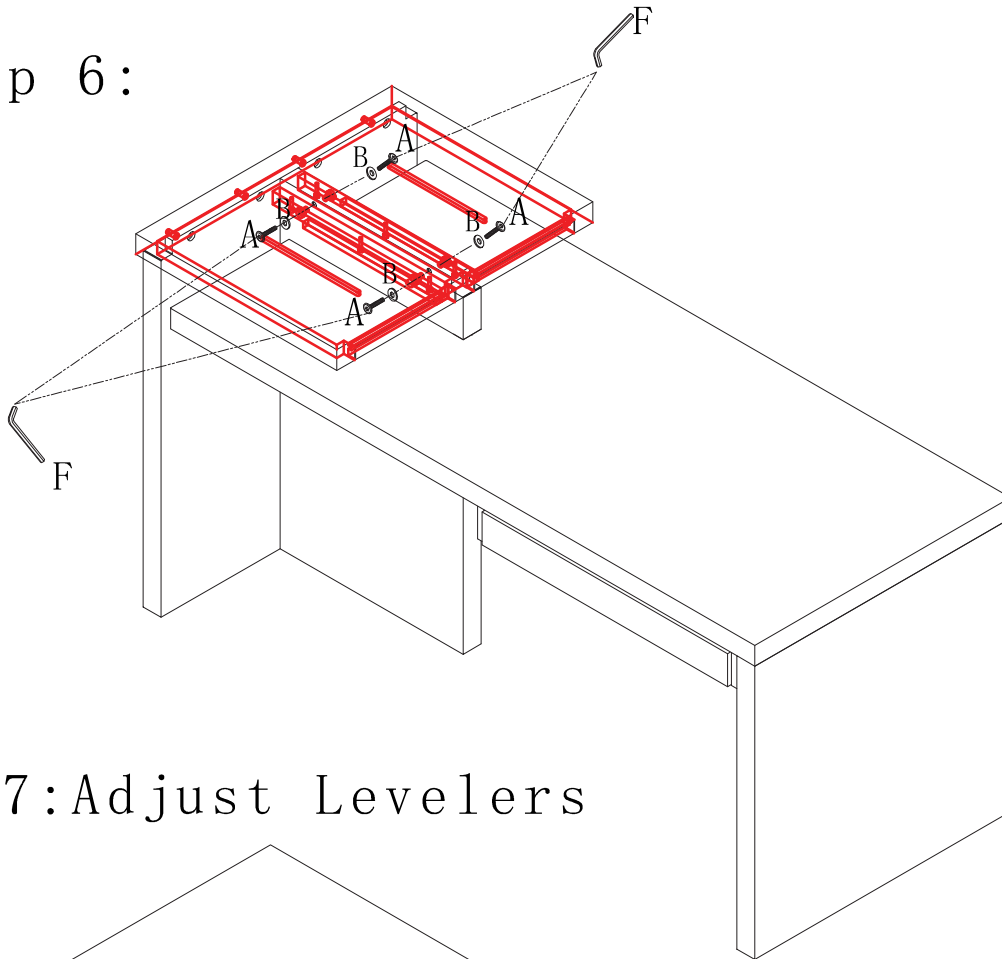
Step 4:



Step 5:



Step 6:



Step 7: Adjust Levelers

