



Parker House
FURNITURE

Assembly Instruction

Item No: DSUN#86T-SS / DSUN#86B-SS
Description : Dining Table Top 42x86-110 in.
with Butterfly Leaf / Dining table base

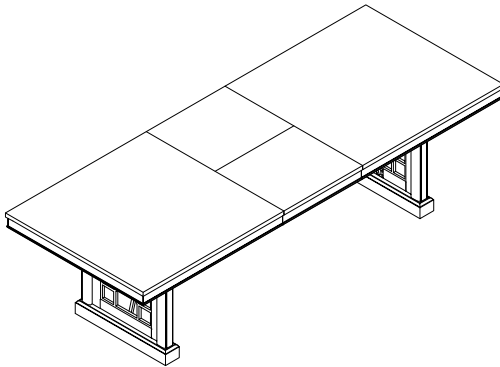
2022-06-07

HARDWARE LIST

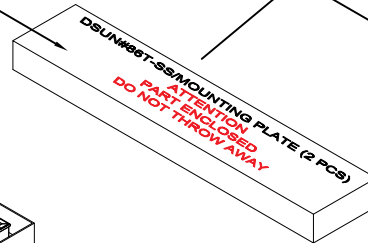
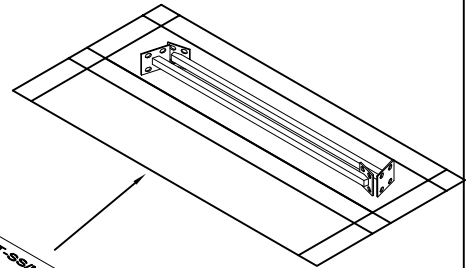
No	Description	Sketch	Q'TY
A	Allen Wrench 4mm		1 Pc
B	Bolt Ø5/16"x1-1/2"(38mm)		18 Pcs
C	Bolt Ø1/4"x7/8"(20mm)		16 Pcs
D	Lock Washer Ø5/16"		34 Pcs
E	Flat Washer Ø5/16"x3/4"		34 Pcs

PART LIST

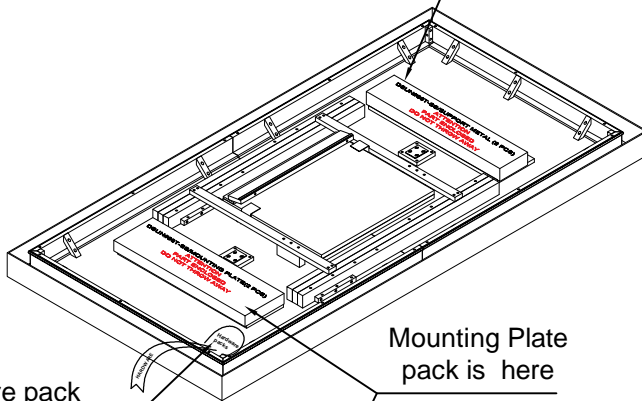
DSUN#86T-SS DINING TABLE TOP 42X86-110 IN. WITH BUTTERFLY LEAF		
TABLE TOP (1 PC)	MOUNTING PLATE (2 PCS)	METAL SUPPORT (2 PCS)
①	②	③
DSUN#86B-SS DINING TABLE BASE		
LEG FRAME (2 PCS)		
④		



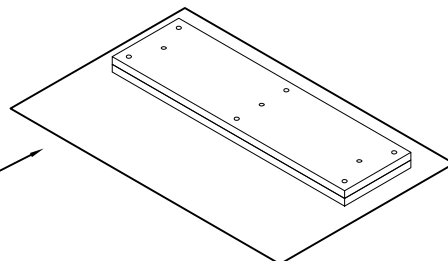
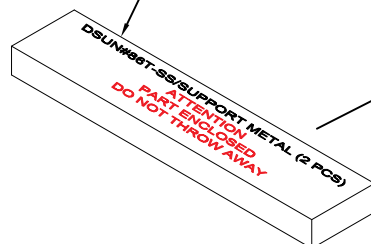
Support Metal
pack is here



Hardware pack
is screwed here



Mounting Plate
pack is here





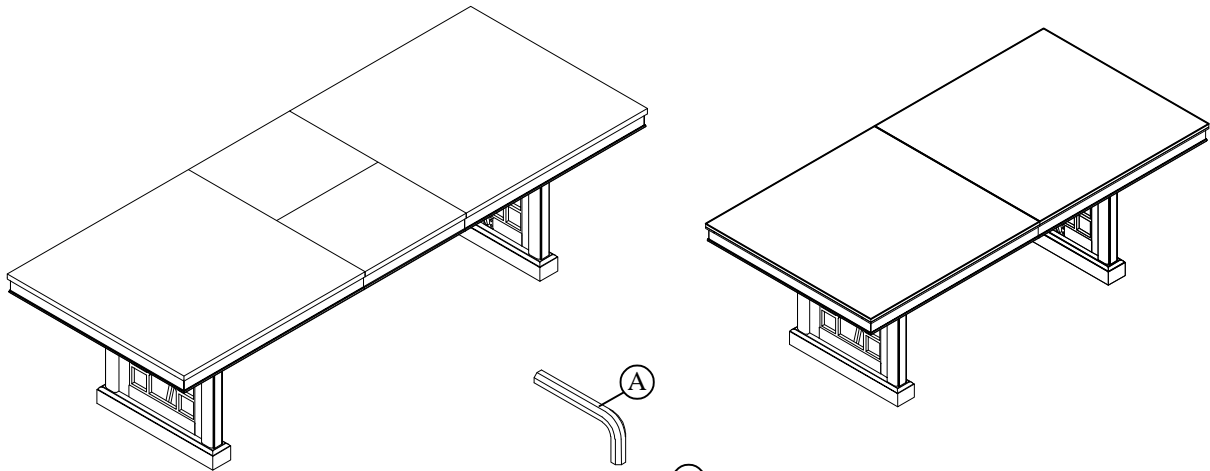
Parker House
FURNITURE

Assembly Instruction

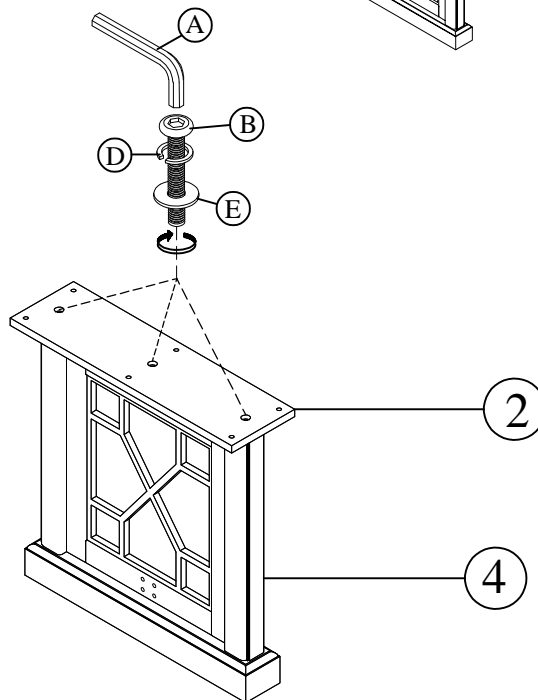
Item No: DSUN#86T-SS / DSUN#86B-SS

Description : Dining Table Top 42x86-110 in.
with Butterfly Leaf / Dining table base

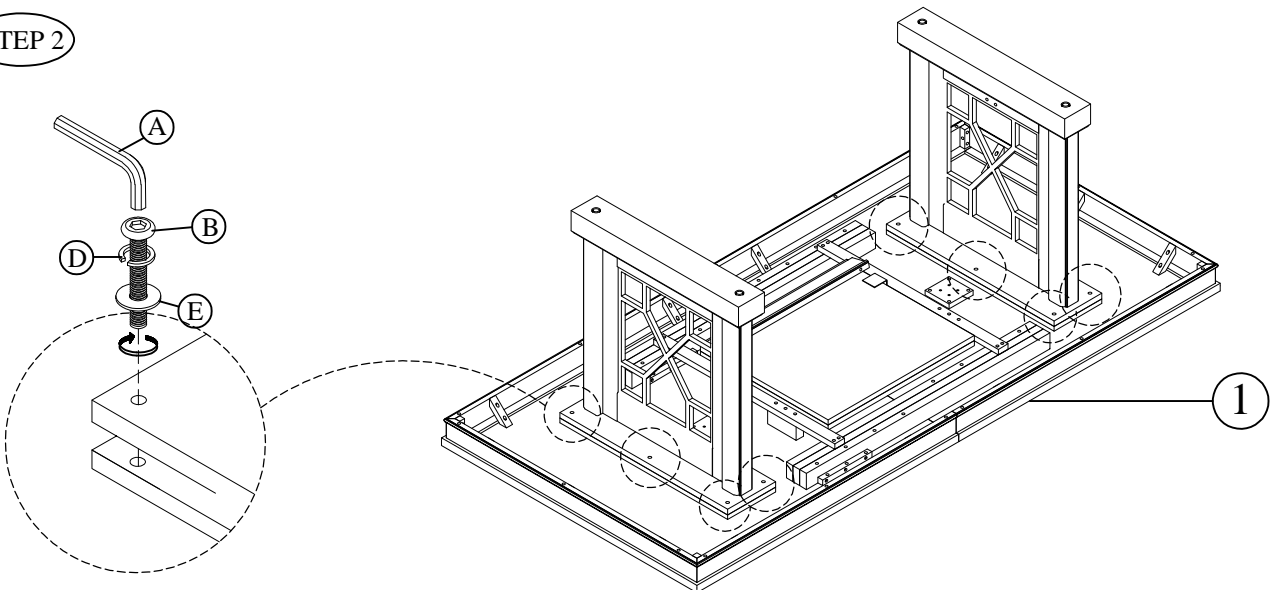
2022-06-07



STEP 1



STEP 2





Parker House
FURNITURE

Assembly Instruction

Item No: DSUN#86T-SS / DSUN#86B-SS

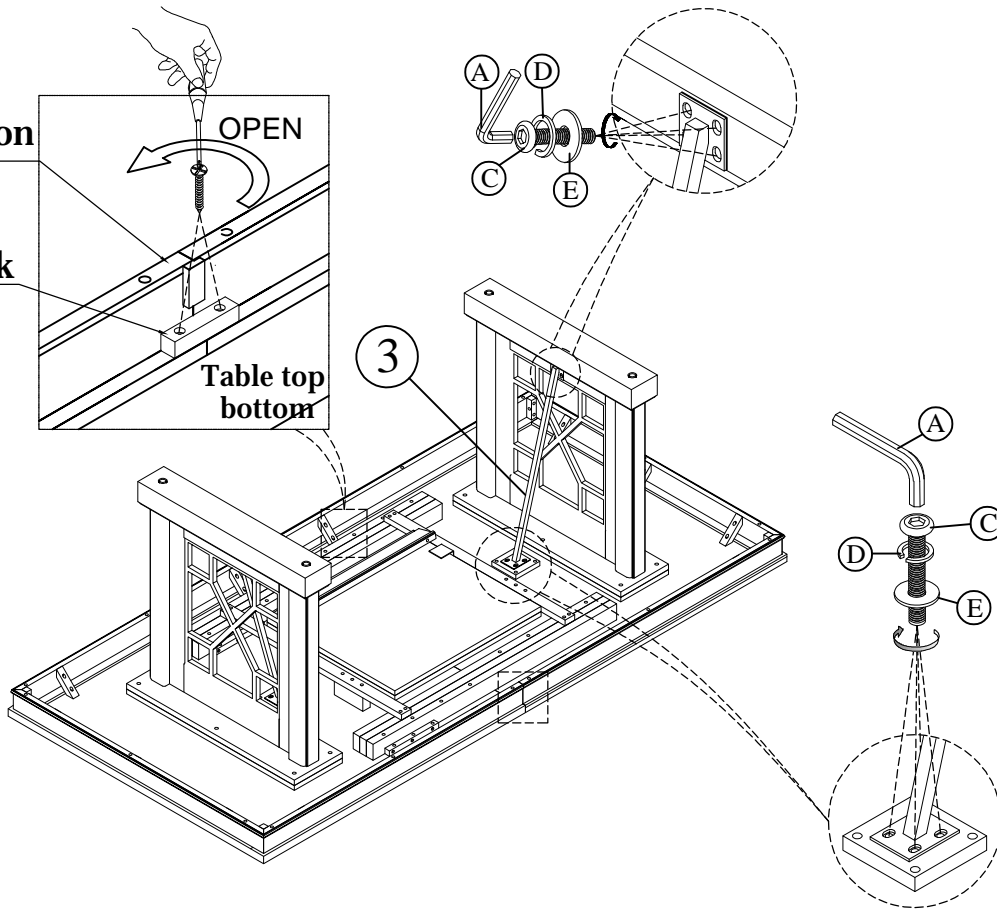
Description : Dining Table Top 42x86-110 in.
with Butterfly Leaf / Dining table base

2022-06-07

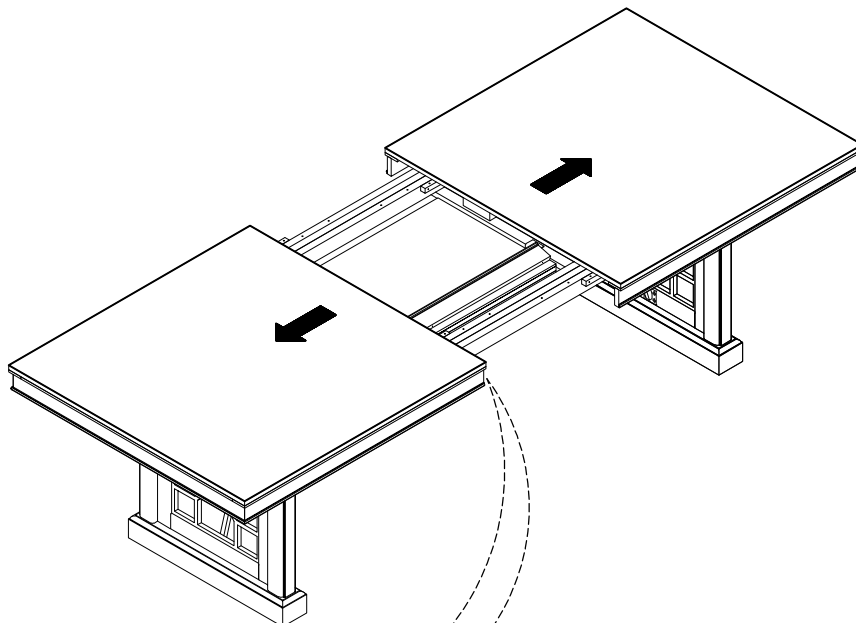
STEP 3

Table apron

Remove
Woodblock



STEP 4





Parker House
FURNITURE

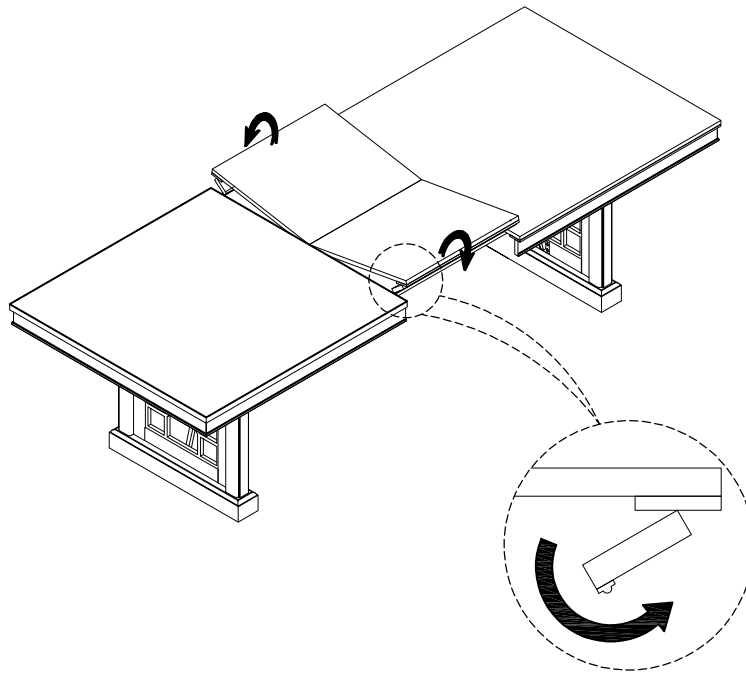
Assembly Instruction

Item No: DSUN#86T-SS / DSUN#86B-SS

Description : Dining Table Top 42x86-110 in.
with Butterfly Leaf / Dining table base

2022-06-07

STEP 5



STEP 6

