







Parker House
FURNITURE

Assembly Instruction

Item No: DSUN#74T-SS / 74B-SS
Description : ISLAND COUNTER HEIGHT TOP 74 IN.X42 IN
ISLAND COUNTER HEIGHT BASE

2022-06-07

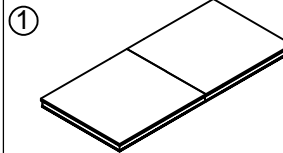
HARDWARE LIST

No	Description	Sketch	Q'TY
A	Allen Wrench 4mm		1PC
B	Bolt Ø5/16"x1-1/2" (38mm)		8PCS
C	Lock Washer Ø5/16"		8PCS
D	Flat Washer Ø5/16"x3/4"		8PCS

PARTS LIST

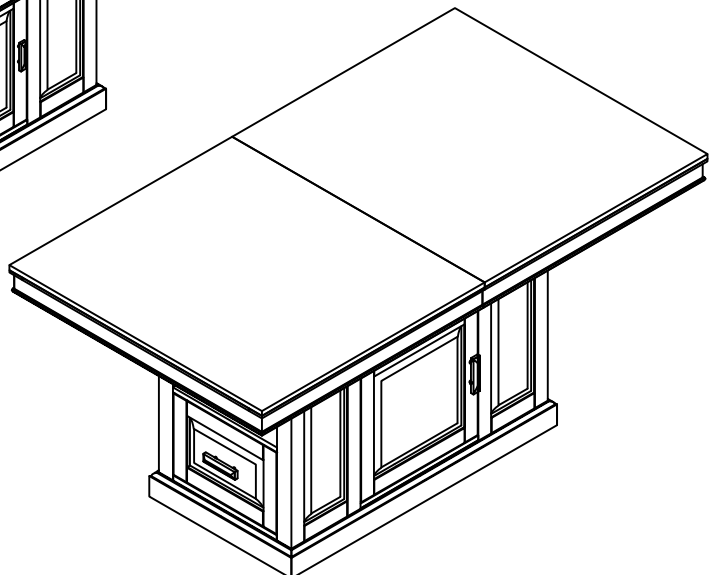
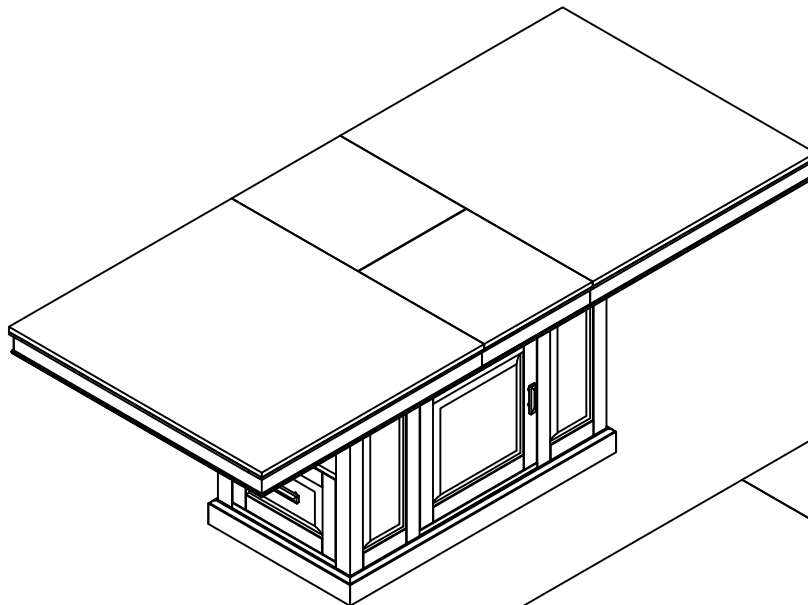
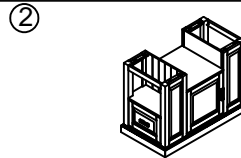
DSUN#74T ISLAND COUNTER HEIGHT
TOP 74 IN.X42 IN.

TABLE TOP (1PC)



DSUN#74B ISLAND COUNTER HEIGHT
BASE

ISLAND BASE (1PC)



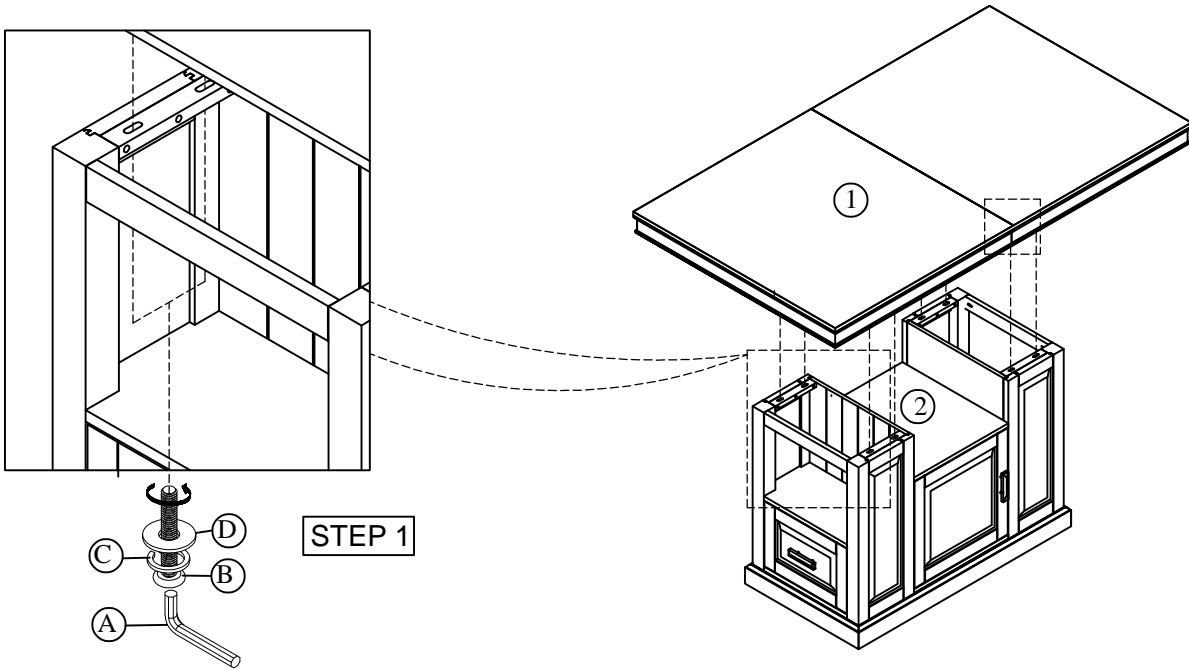
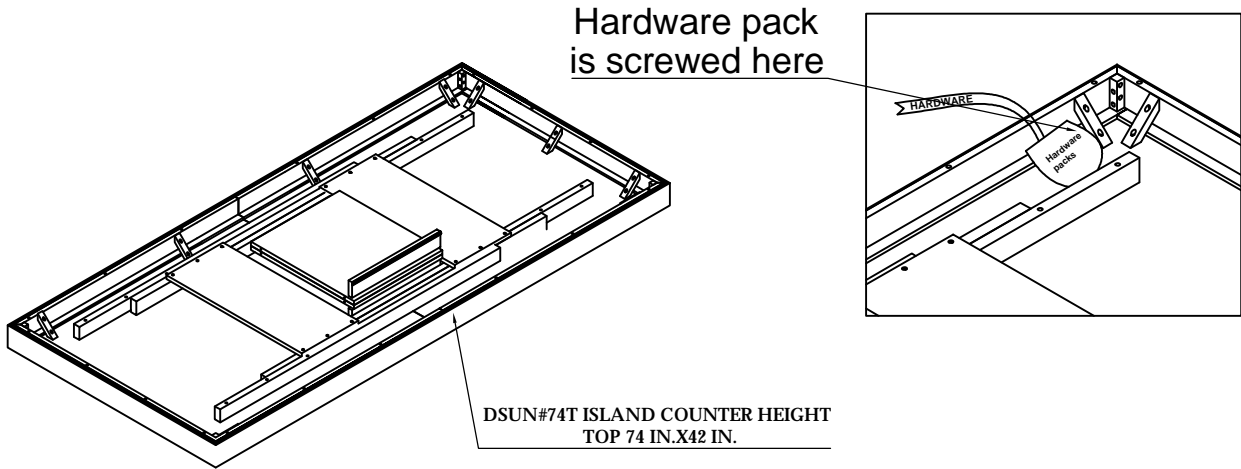


Parker House
FURNITURE

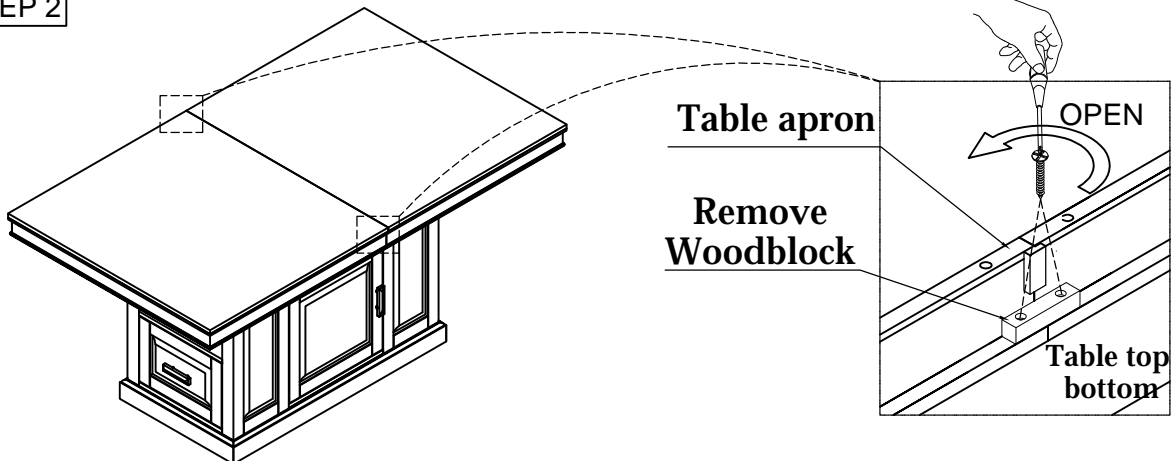
Assembly Instruction

Item No: DSUN#74T-SS / 74B-SS
Description : ISLAND COUNTER HEIGHT TOP 74 IN.X42 IN
ISLAND COUNTER HEIGHT BASE

2022-06-07



STEP 2





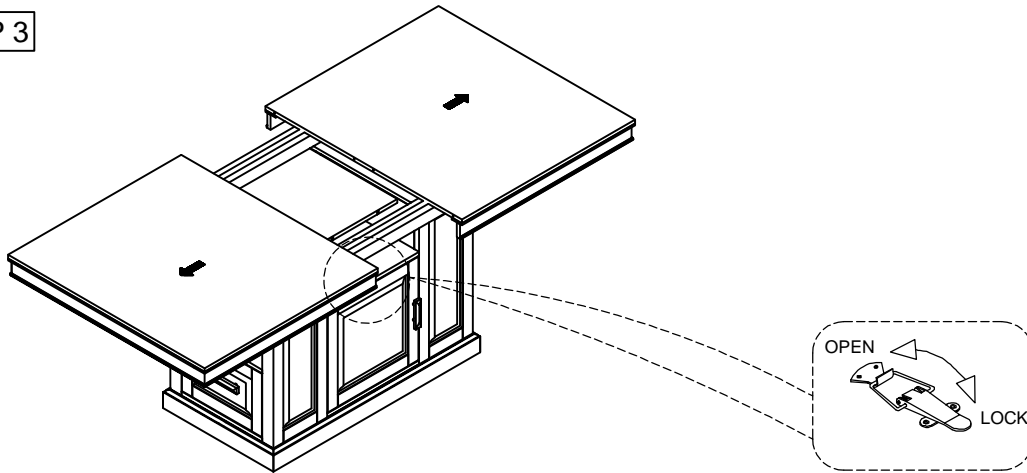
Parker House
FURNITURE

Assembly Instruction

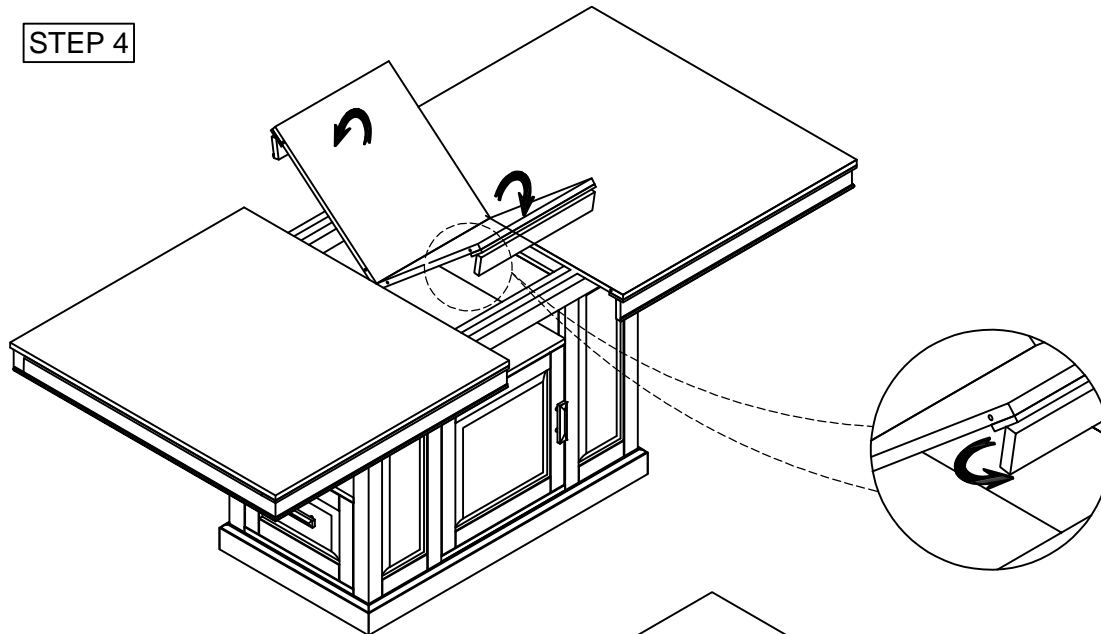
Item No: DSUN#74T-SS / 74B-SS
Description : ISLAND COUNTER HEIGHT TOP 74 IN.X42 IN
ISLAND COUNTER HEIGHT BASE

2022-06-07

STEP 3



STEP 4



STEP 5

