



Parker House
FURNITURE

Assembly Instruction

Item No: DSUN#54RND-SS
Description : Dining Table 54 in. Round

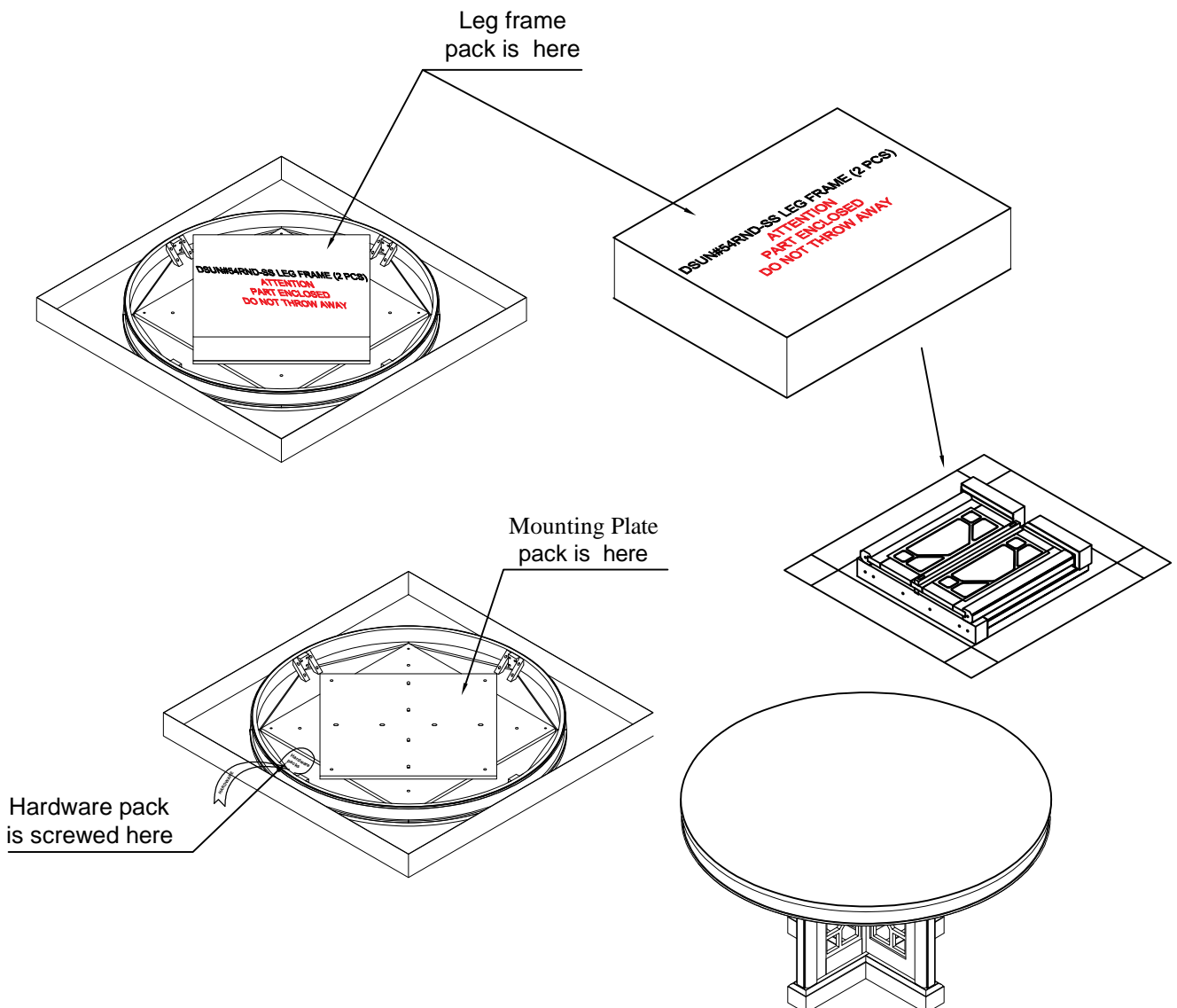
2022-06-07

HARDWARE LIST

No	Description	Sketch	Q'TY
A	Allen Wrench 4mm		1PC
B	Bolt Ø5/16"x1-3/4"(45mm)		2 PCS
C	Bolt Ø5/16"x1-3/8"(35mm)		12 PCS
D	Lock Washer Ø5/16"		14 PCS
E	Flat Washer Ø5/16"x3/4"		14 PCS

PART LIST

TABLE TOP (1PC)	MOUNTING PLATE (1PC)
①	②
LEG FRAME 1 (1 PC)	LEG FRAME 2 (1 PC)
③	④





Parker House
FURNITURE

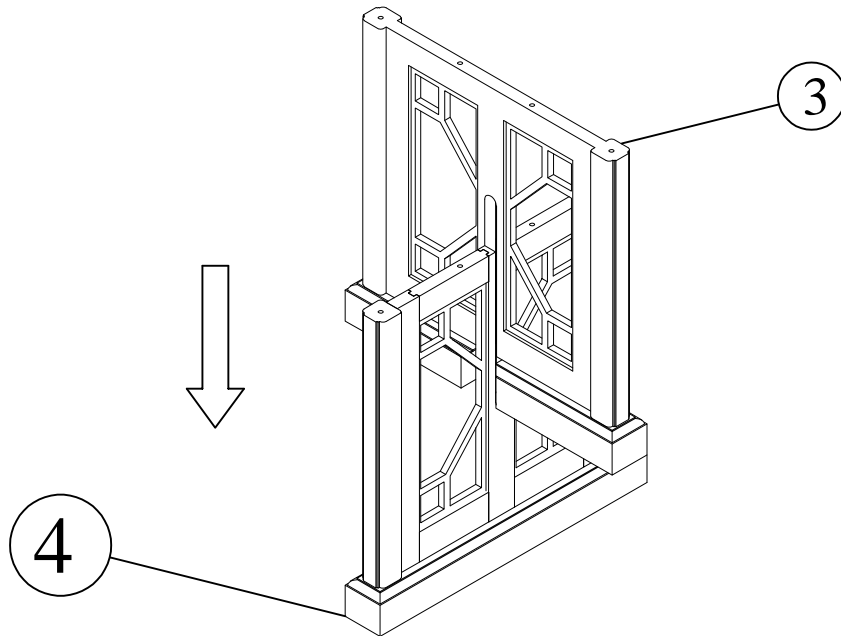
Assembly Instruction

Item No: DSUN#54RND-SS

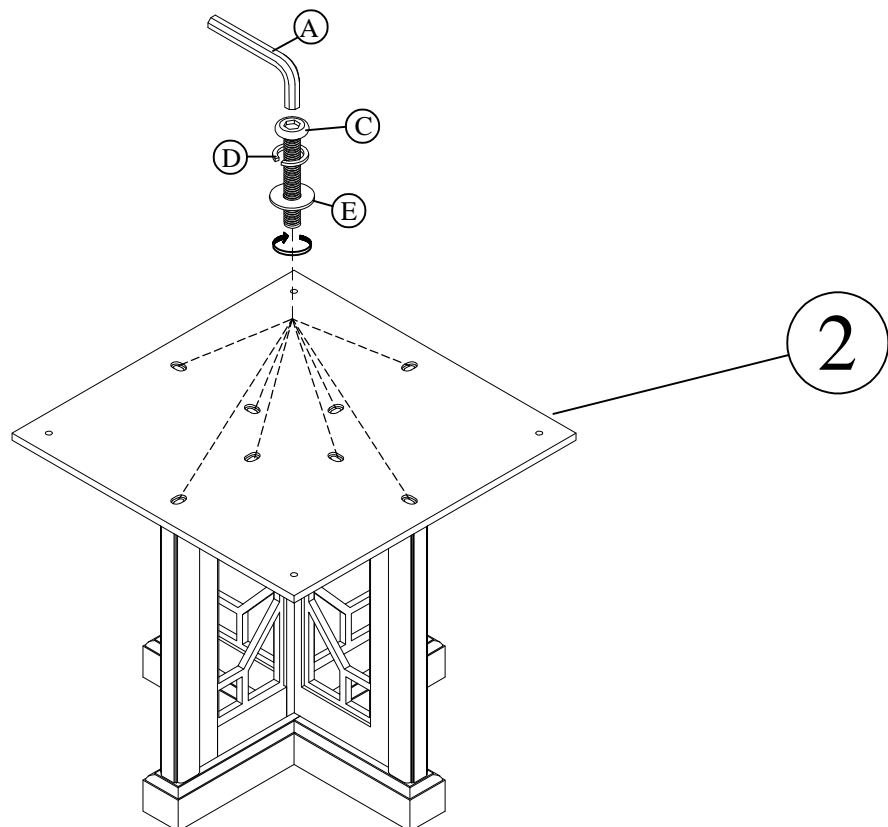
Description : Dining Table 54 in. Round

2022-06-07

STEP 1



STEP 2





Parker House
FURNITURE

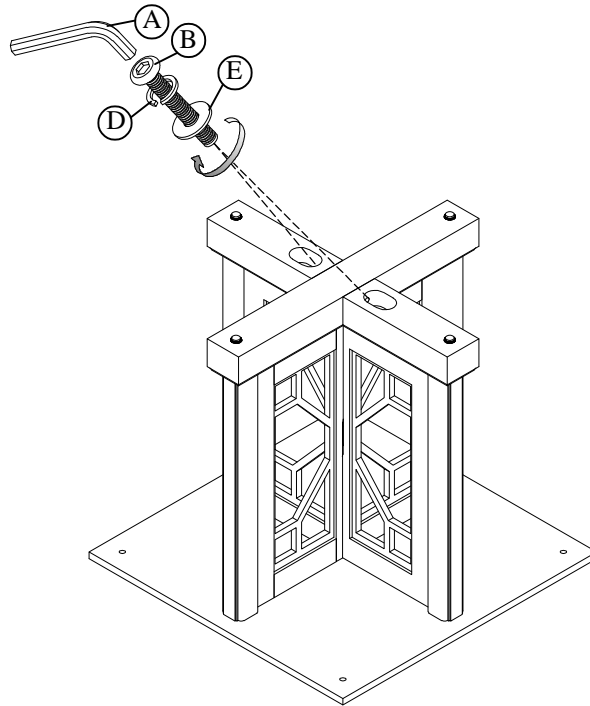
Assembly Instruction

Item No: DSUN#54RND-SS

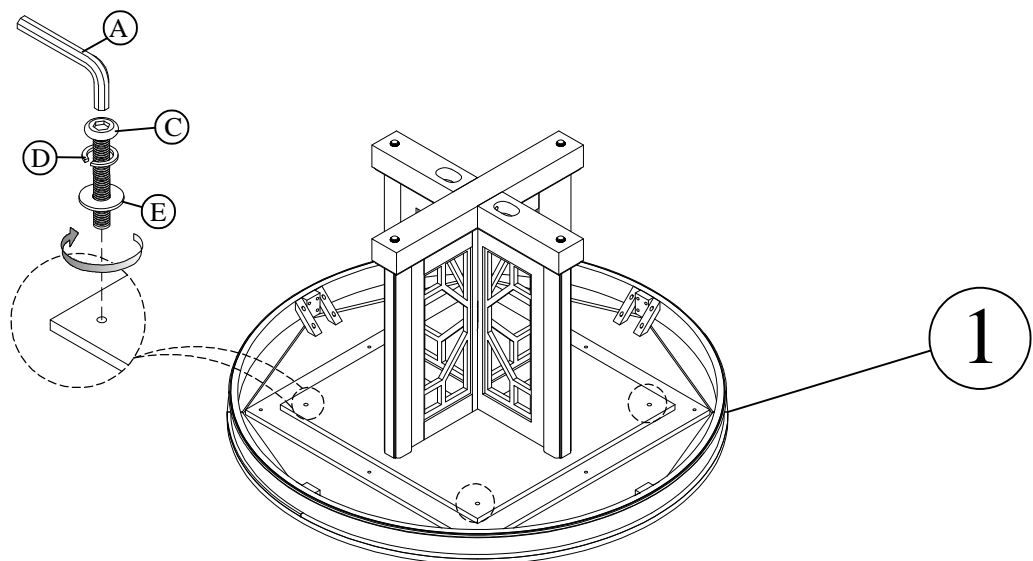
Description : Dining Table 54 in. Round

2022-06-07

STEP 3



STEP 4





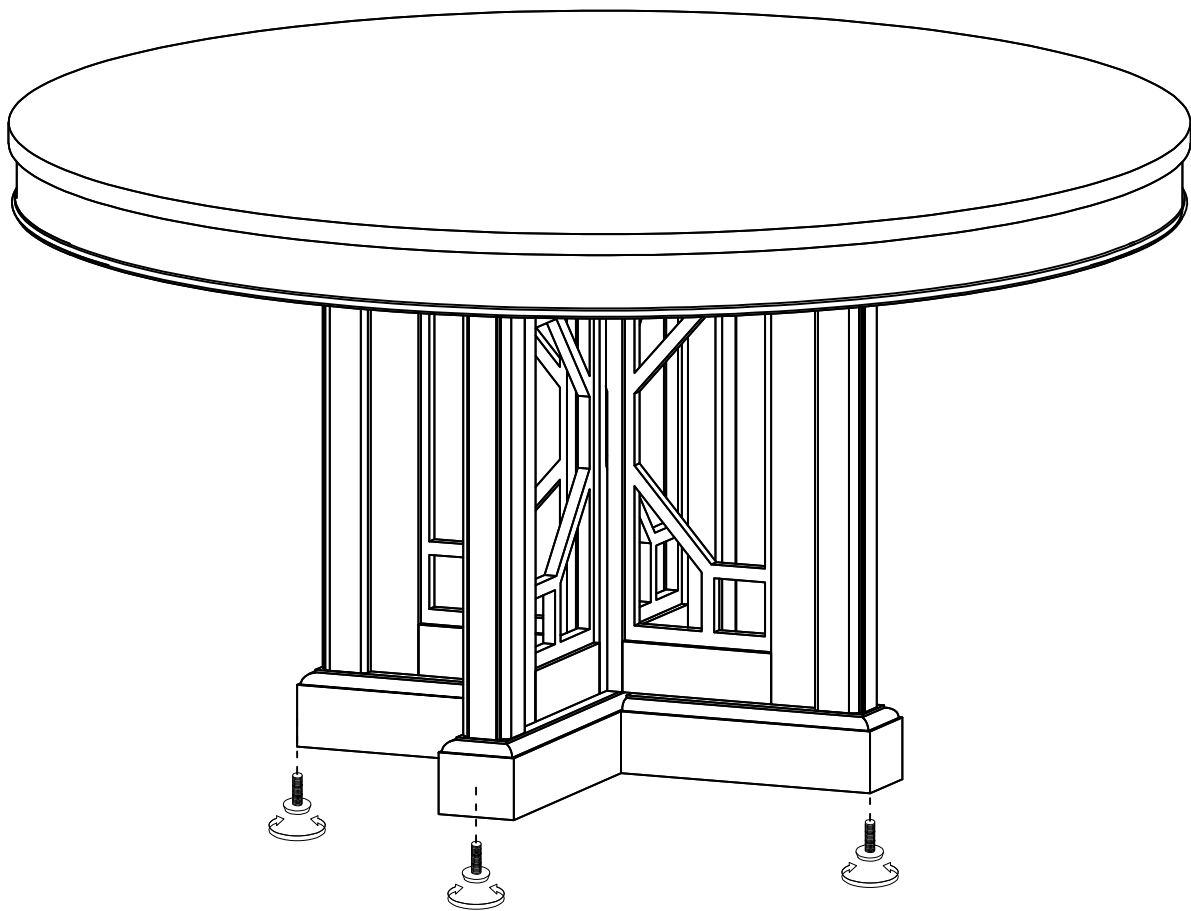
Parker House
FURNITURE

Assembly Instruction

Item No: DSUN#54RND-SS

Description : Dining Table 54 in. Round

2022-06-07



ASSEMBLED LEVELERS
(4PCS)