



Parker House
FURNITURE

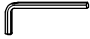





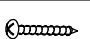
Assembly Instruction

Item No: DSUN#2226-SS

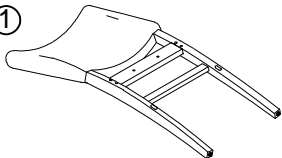
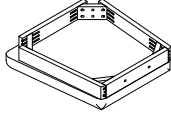
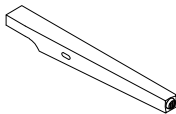
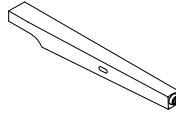
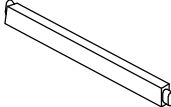
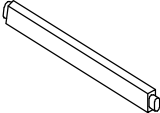
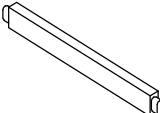
Description : COUNTER CHAIR UPHOLSTERED
(2/CTN Sold in pairs)

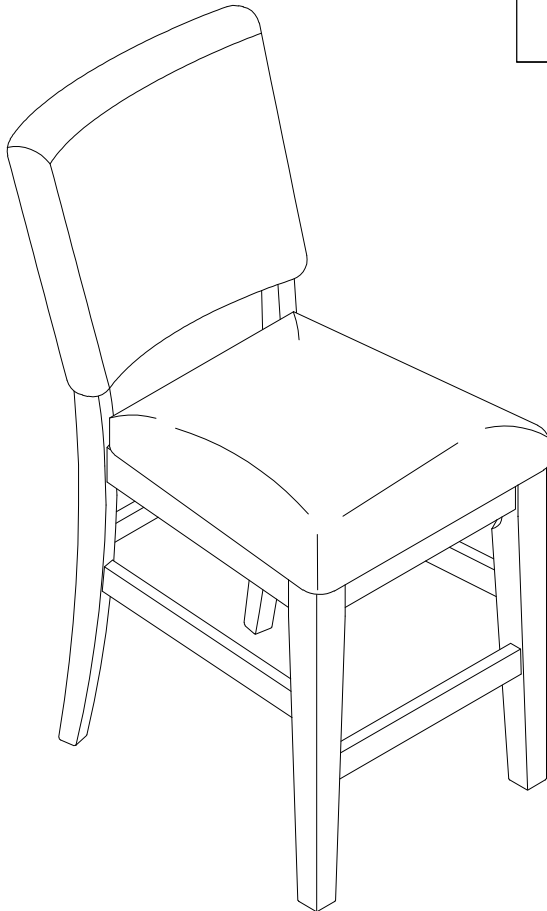
2022-06-07

HARDWARE LIST (X2)

No	Description	Sketch	Q'TY
A	Allen Wrench 4mm		1PC
B	Bolt Ø1/4"x1-9/16"(40mm)		2PCS
C	Bolt Ø1/4"x2-3/8"(60mm)		4PCS
D	Bolt Ø1/4"x3"(75mm)		4PCS
E	Lock Washer Ø1/4"		10PCS
F	Flat Washer Ø1/4"x3/4"		10PCS
G	Screw #4x1-1/2"(38mm)		6PCS

PARTS LIST (X2)

BACK FRAME (1PC)		SEAT FRAME (1PC)	
①		②	
LEFT FRONT LEG (1PC)		RIGHT FRONT LEG (1PC)	
③		④	
LEFT STRETCHER (1PC)		RIGHT STRETCHER (1PC)	
⑤		⑥	
FRONT STRETCHER (1PC)			
⑦			





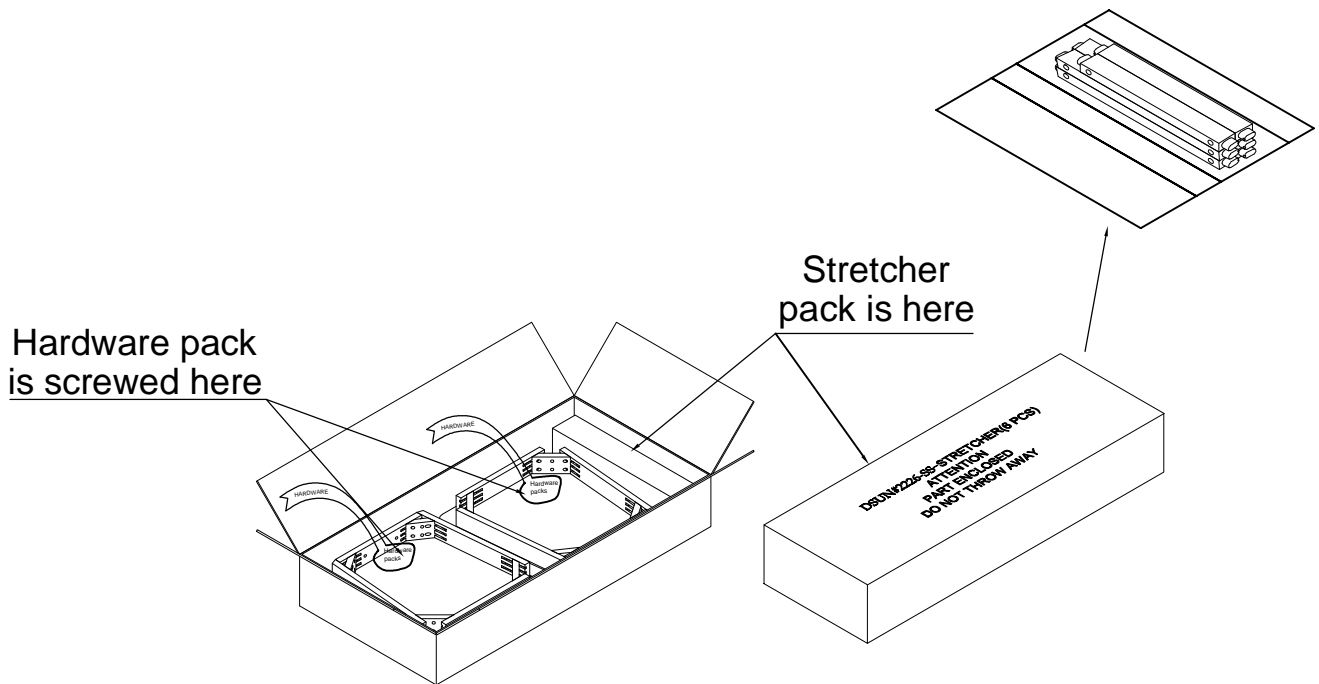
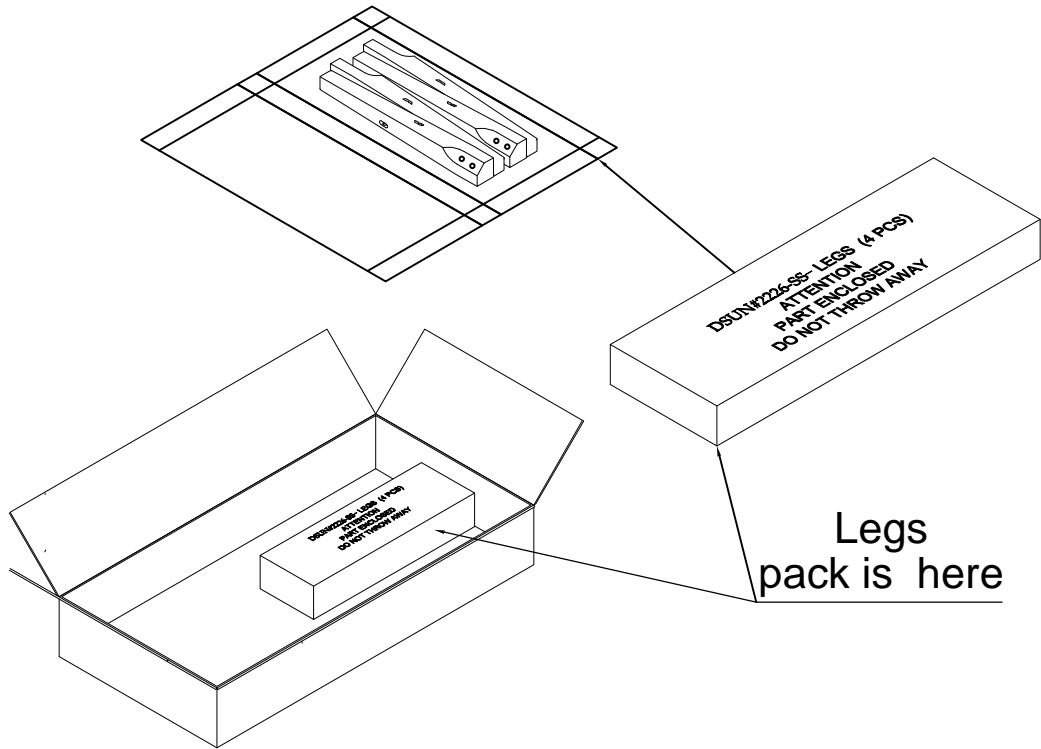
Parker House
FURNITURE

Assembly Instruction

Item No: DSUN#2226-SS

Description : COUNTER CHAIR UPHOLSTERED
(2/CTN Sold in pairs)

2022-06-07





Parker House
FURNITURE

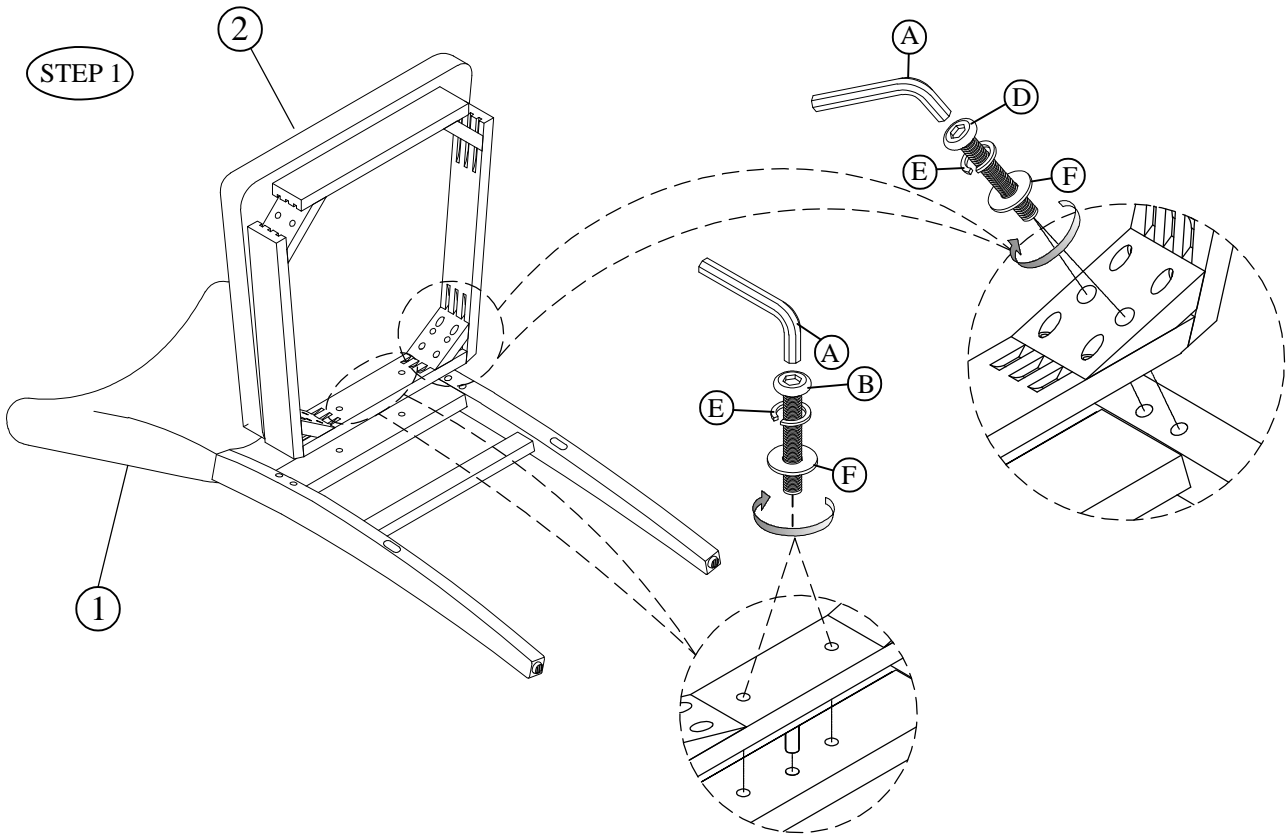
Assembly Instruction

Item No: DSUN#2226-SS

Description : COUNTER CHAIR UPHOLSTERED
(2/CTN Sold in pairs)

2022-06-07

STEP 1



STEP 2

