



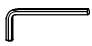



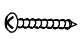
Assembly Instruction

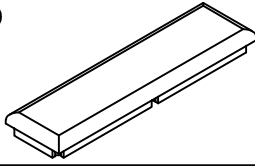
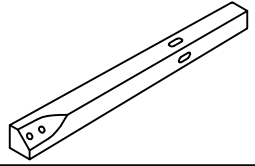
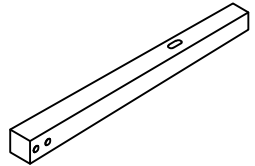
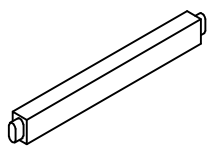
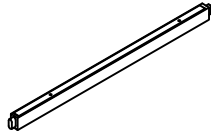
Item No: DSUN#1226 -SS

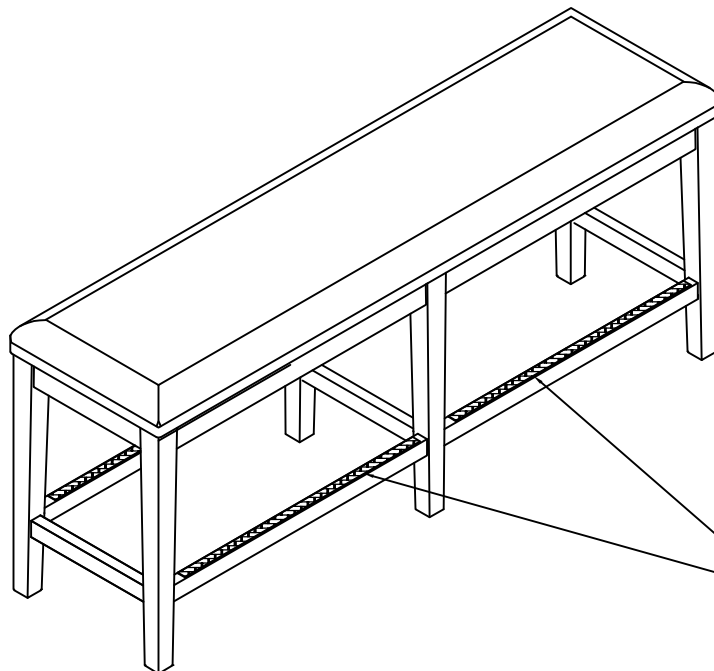
Parker House
FURNITURE

Description : BENCH COUNTER UPHOLSTERED 60 IN.

2022-06-07

HARDWARE LIST			
No	Description	Sketch	Q'TY
A	Allen Wrench 4mm		1PC
B	Bolt Ø5/16"x2-3/8" (60mm)		12PCS
C	Lock Washer Ø5/16"		12PCS
D	Flat Washer Ø5/16"x3/4"		12PCS
E	Screw #4x2" (50mm)		14PCS

PARTS LIST	
BENCH TOP (1PC)	SIDE LEGS (4PCS)
① 	② 
CENTER LEG (2PCS)	SHORT STRETCHER (3PCS)
③ 	④ 
LONG STRETCHER WITH METAL (4PCS)	
⑤ 	



STRETCHER WITH METAL (4PCS)



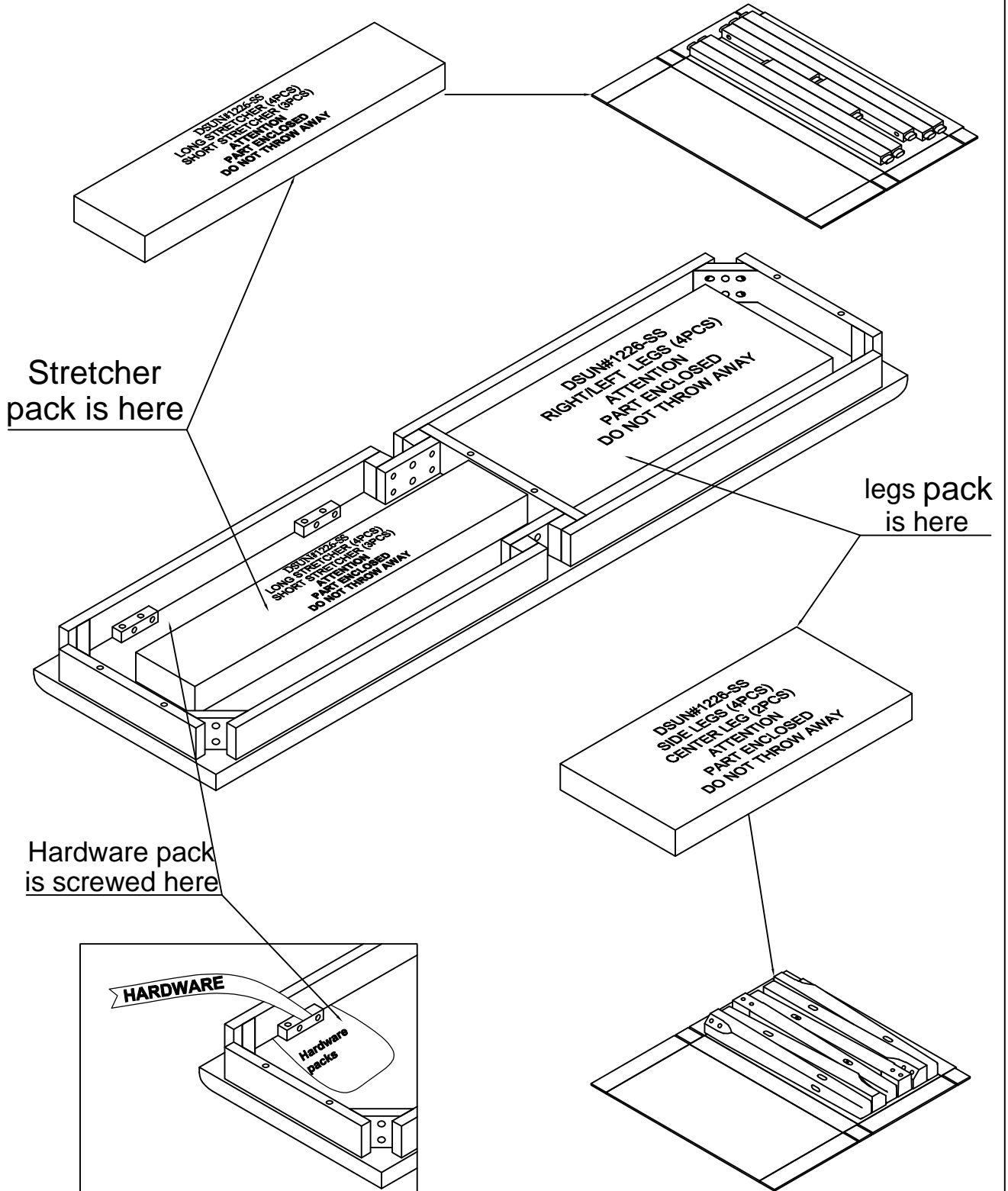
Parker House
FURNITURE

Assembly Instruction

Item No: DSUN#1226 -SS

Description : BENCH COUNTER UPHOLSTERED 60 IN.

2022-06-07





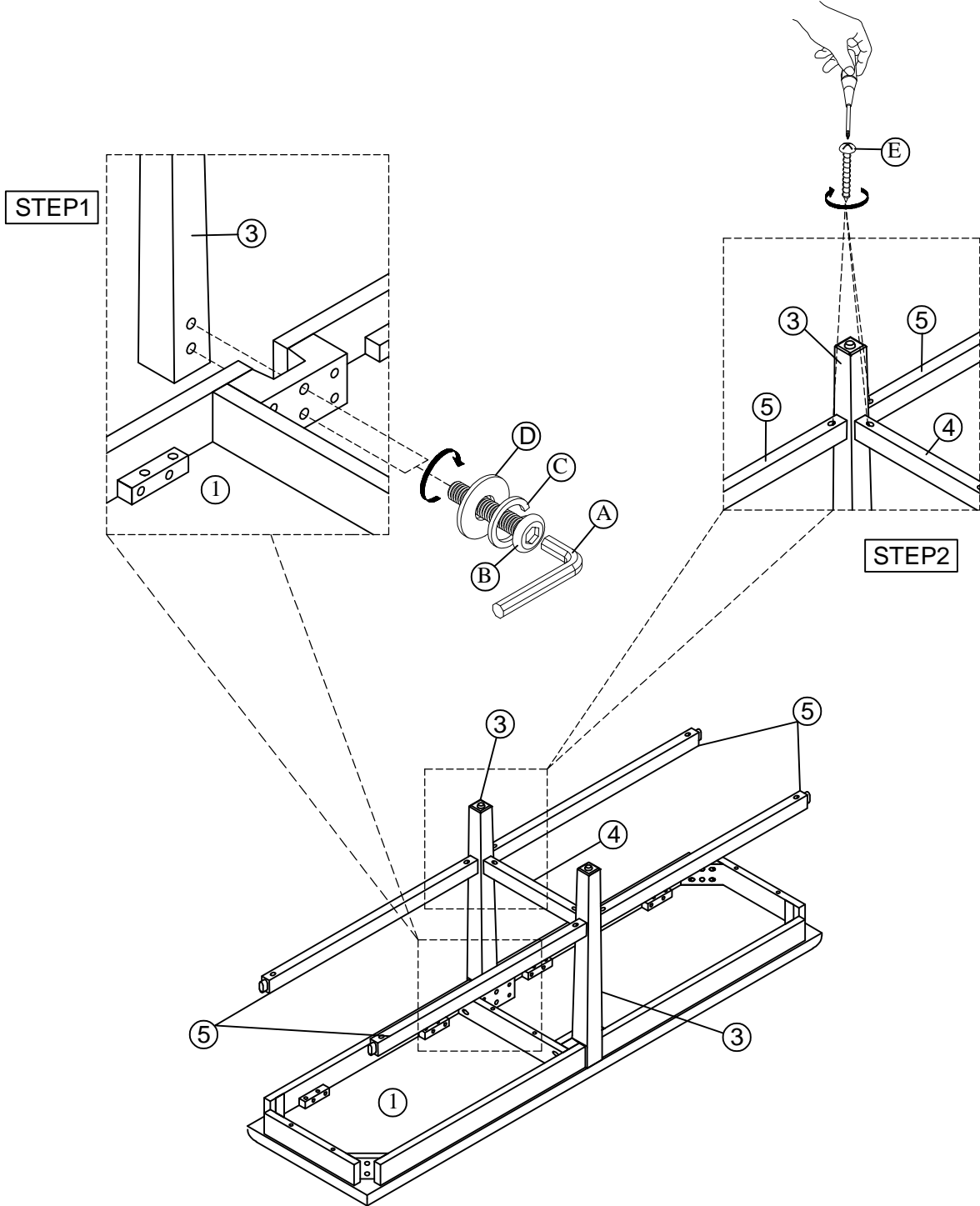
Parker House
FURNITURE

Assembly Instruction

Item No: DSUN#1226 -SS

Description : BENCH COUNTER UPHOLSTERED 60 IN.

2022-06-07





Parker House
FURNITURE

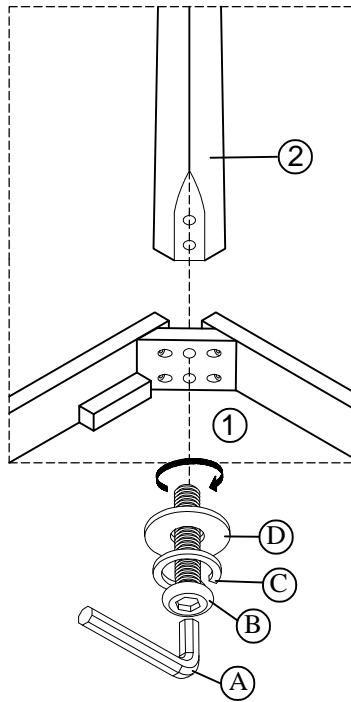
Assembly Instruction

Item No: DSUN#1226 -SS

Description : BENCH COUNTER UPHOLSTERED 60 IN.

2022-06-07

STEP 3



STEP 4

