








Parker House
FURNITURE

Assembly Instruction

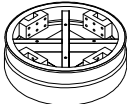
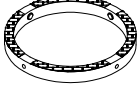
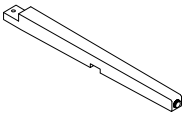
Item No: DSUN#1030S-SS
Description : Swivel Bar Stool

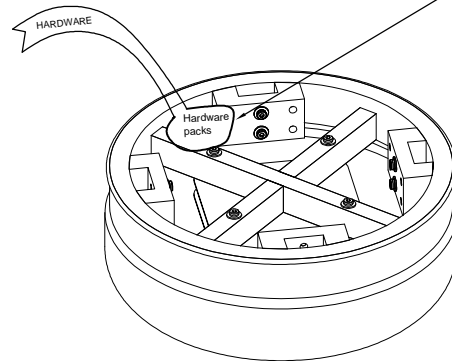
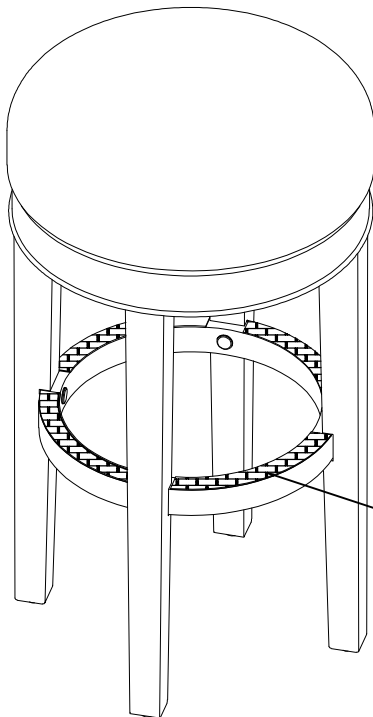
2022-06-07

HARDWARE LIST

No	Description	Sketch	Q'TY
A	Allen Wrench 4mm		1PC
B	Bolt Ø1/4"x1-9/16(40mm)		12 Pcs
C	Lock Washer Ø1/4"		12 Pcs
D	Flat Washer Ø1/4"x3/4"		12 Pcs
E	Plastic Cap		4 Pcs

PART LIST

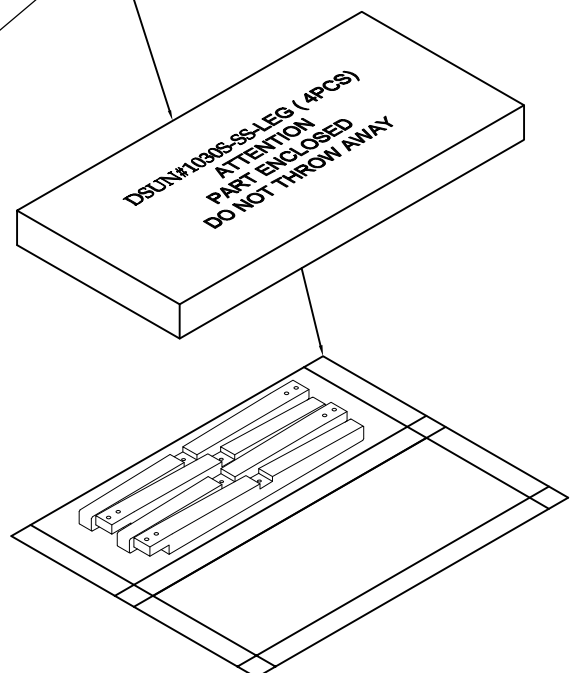
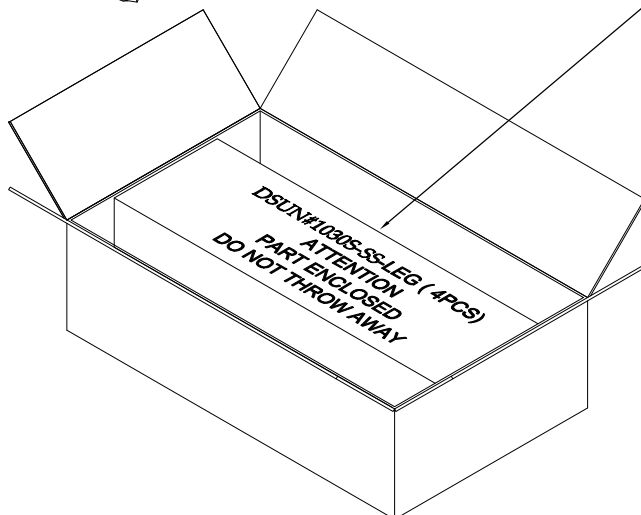
SEAT FRAME		STRETCHER RING WITH METAL SCUFF GUARD	
①		②	
LEGS (4PCS)			
③			



Hardware pack is screwed here

STRETCHER RING WITH METAL SCUFF GUARD

Legs pack is here





Parker House
FURNITURE

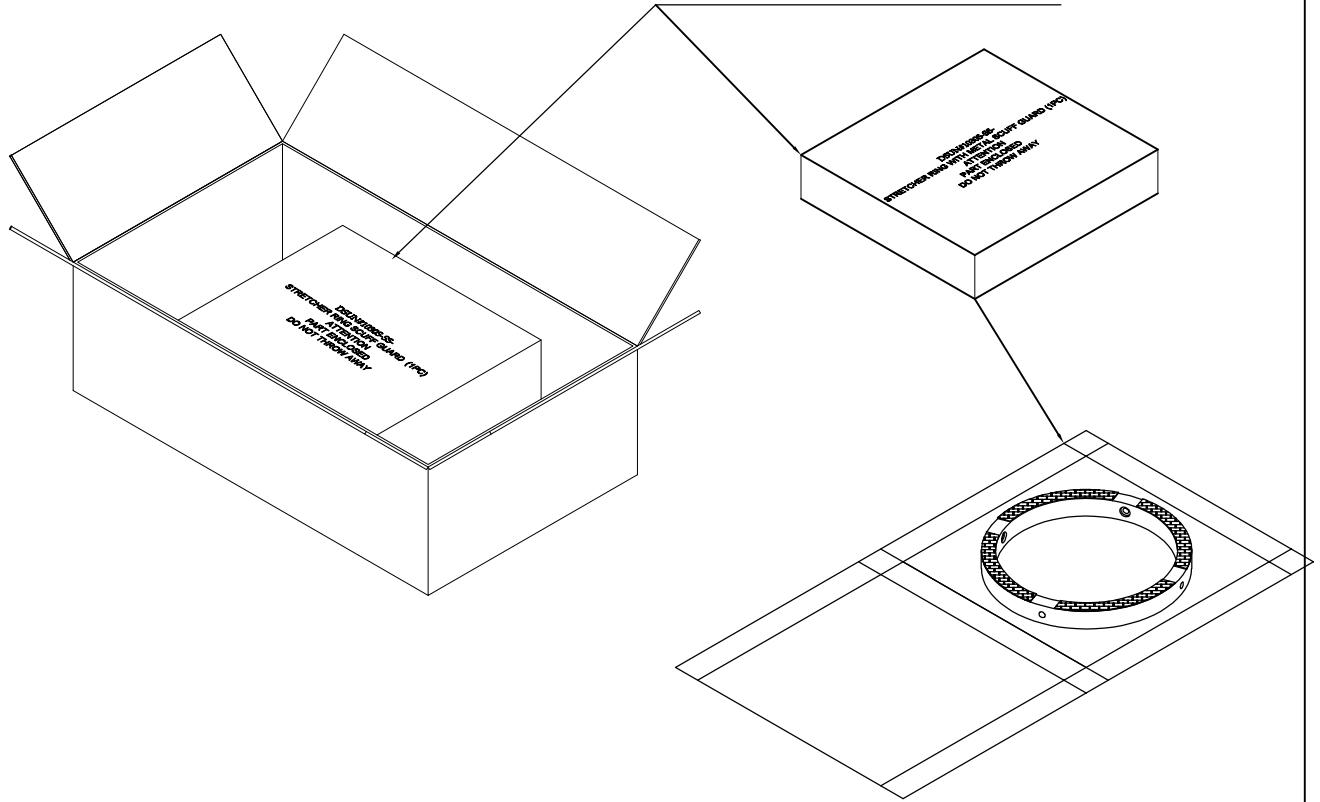
Assembly Instruction

Item No: DSUN#1030S-SS

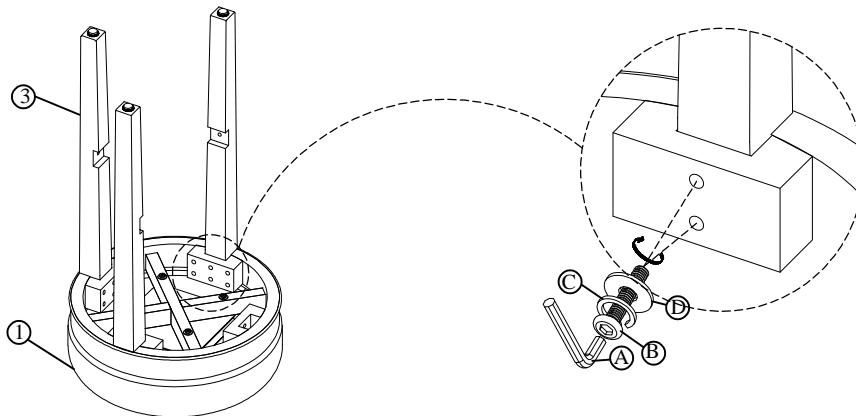
Description : Swivel Bar Stool

2022-06-07

Stretcher ring with metal scuff guard pack is here



STEP 1





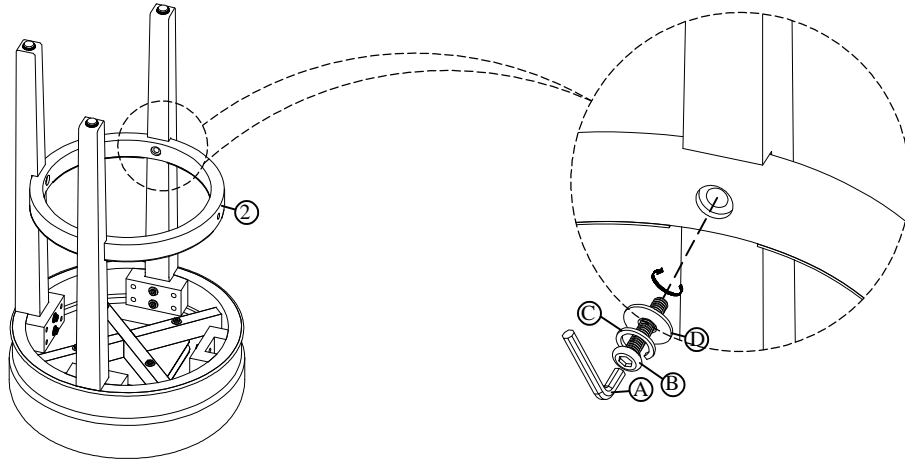
Parker House
FURNITURE

Assembly Instruction

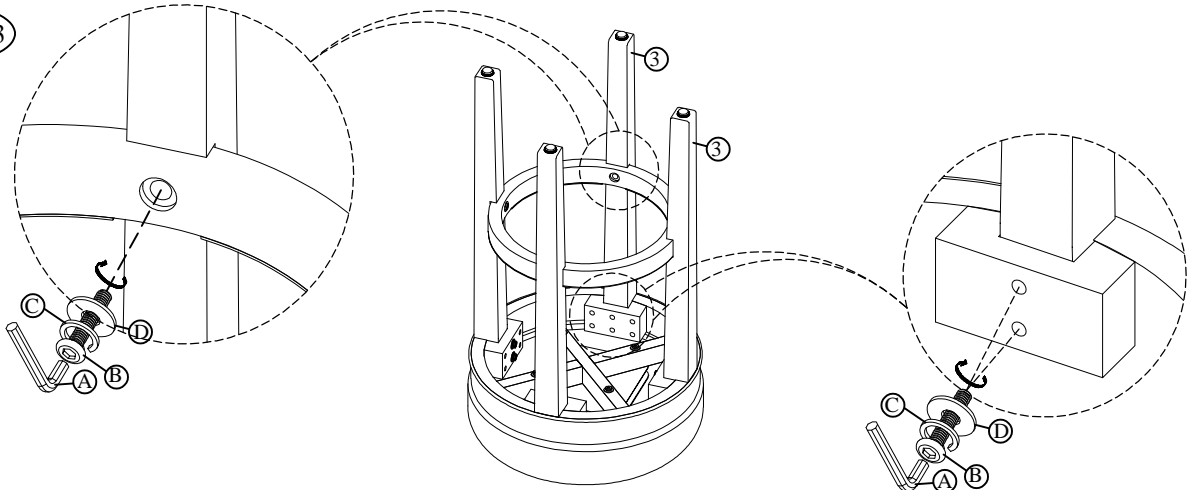
Item No: DSUN#1030S-SS
Description : Swivel Bar Stool

2022-06-07

STEP 2



STEP 3



STEP 4

