



**Parker House**  
FURNITURE

# Assembly Instruction

Item No: DPUR#88T /DPUR#88B

Description :Pedestal Table top with 24" butterfly top /  
Pedestal Table base Asymmetrical

**PURE  
MODERN**










2023-05-29

## IMPORTANT SAFETY NOTICE: READ CAREFULLY BEFORE BEGINNING ASSEMBLY!

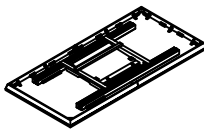
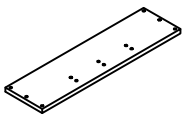
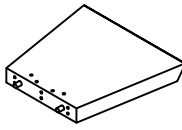
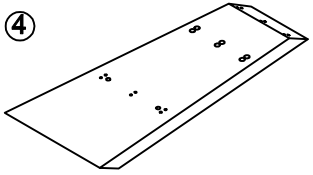
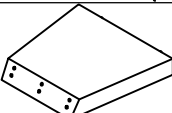
- \*Always use proper tools.
- \*Follow the assembly steps in order. Do not skip any steps.
- \*Be sure to check all packing materials carefully for small parts may have come loose inside the carton during shipment. If parts are missing, contact the retailer from which you purchased the product to obtain any missing parts. **DO NOT USE SUBSTITUTE PARTS.**
- \*Periodically check to ensure that all connectors (bolts, screws, etc.) are tight.
- \*Keep the instructions for future reference.
- \*Some assembly may involve attaching glass or mirrors. Be very careful handling the glass or mirrors, as severe injury may result if the glass or mirror breaks. Never handle large pieces of glass or mirrors by yourself.
- \*When assembling products that have electric cords (lamps, light, etc.), always (1) make sure the electrical cord is unplugged before assembly and (2) be careful not to twist the electrical cord during assembly.
- \*When assembling shelves or entertainment centers, do not stand on lower shelves in order to assemble upper shelves-use a step ladder.
- \*Do not stand on tables, sit on tables or lay down on tables, including but not limited to, end tables, coffee tables, dinner tables as tables are not to support the weight of a person.
- \*Where assembly instructions state that the assembly requires two or more people, do not attempt by yourself as there is a risk of injury.

**NOTE : SIGNATURE DESIGN FURNITURE, LLC. DISCLAIMS ANY LIABILITY FOR DAMAGES OR INJURIES WHICH MAY OCCUR DUE TO FAILURE TO PROPERLY FOLLOW ASSEMBLY INSTRUCTIONS, PROPERLY ASSEMBLE THE PRODUCT, OR PROPERLY USE THE PRODUCT.**

### HARDWARE LIST

No	Description	Sketch	Q'TY
A	Allen Wrench 3/16" (5mm)		1 Pc
B	Bolt Ø5/16"x3"(76mm)		12 Pcs
C	Bolt Ø5/16"x3/4"(19mm)		8 Pcs
D	Bolt Ø5/16"x1-1/2"(38mm)		24 Pcs
E	Lock Washer Ø5/16"		44 Pcs
F	Flat Washer Ø5/16"x3/4"		44 Pcs
G	Angle iron 236*50*50mm		1 Pcs
H	Wooden plug Ø1"x1/2" (Ø25x13mm)		12 Pcs
I	Allen Wrench 3/16" (5mm)		1PC

### PART LIST

DPUR#88T Pedestal Table top with 24" butterfly top PH327	
TABLE TOP (1 PC)	MOUNTING PLATE ( 2 PCS)
① 	② 
DPUR#88B Pedestal Table base Asymmetrical PH327	
LEG FRAME 1 (1PC)	LEG FRAME 2 (1PC)
③ 	④ 
LEG FRAME 3 (1PC)	
⑤ 	

**For Stone and/or Wood care, only a minimal amount of mild detergent on lightly damp cloth should be used for cleaning. Spills should be wiped immediately as to not cause permanent damage or stains. Avoid placing hot items on any surface as this can cause permanent damage.**

**NOTE: UNIT SHOULD BE ASSEMBLED BY TWO OR MORE PEOPLE.**



**Parker House**  
FURNITURE

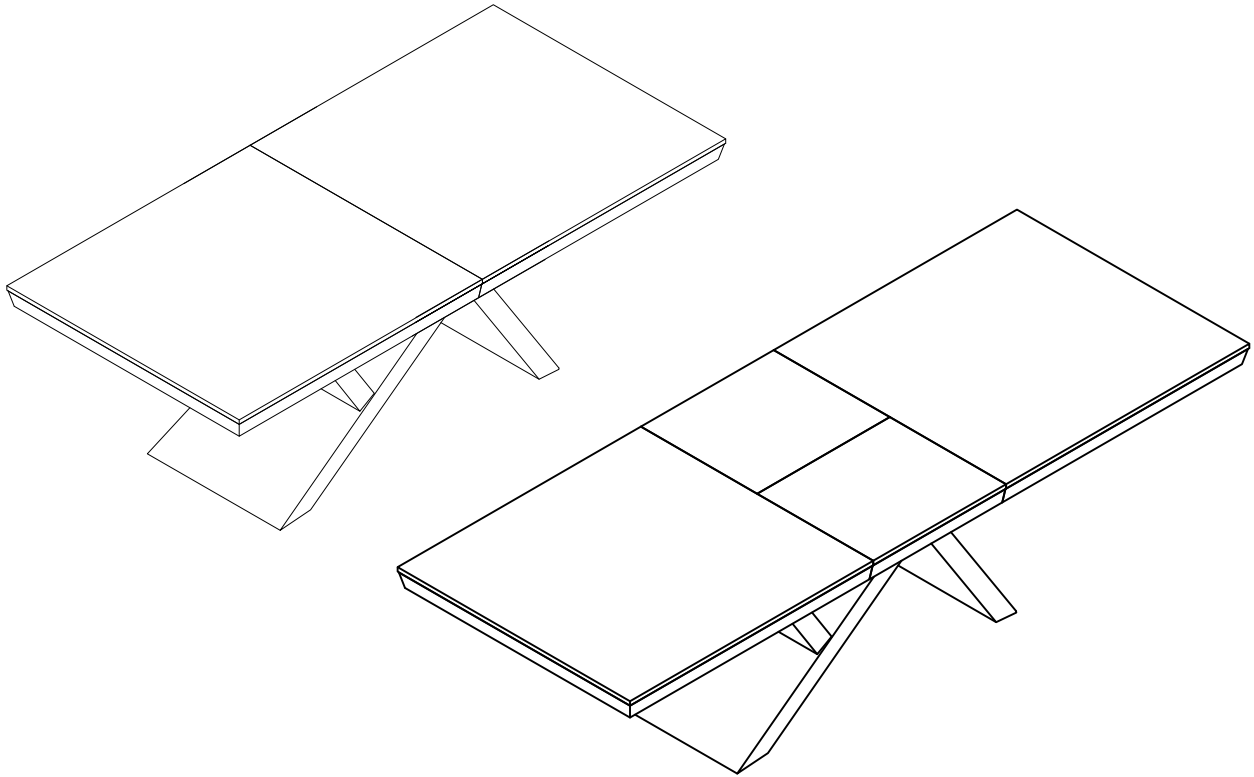
# Assembly Instruction

Item No: DPUR#88T /DPUR#88B

Description :Pedestal Table top with 24" butterfly top /  
Pedestal Table base Asymmetrical

**PURE  
MODERN**

2023-05-29



Mounting plate pack  
is here

DPUR#88T Pedestal  
Table top with 24"  
butterfly top

DPUR#88B Pedestal  
Table base Asymmetrical

LEG FRAME 1

Hardware pack  
is here

LEG FRAME 2

LEG FRAME 3



**Parker House**  
FURNITURE

# Assembly Instruction

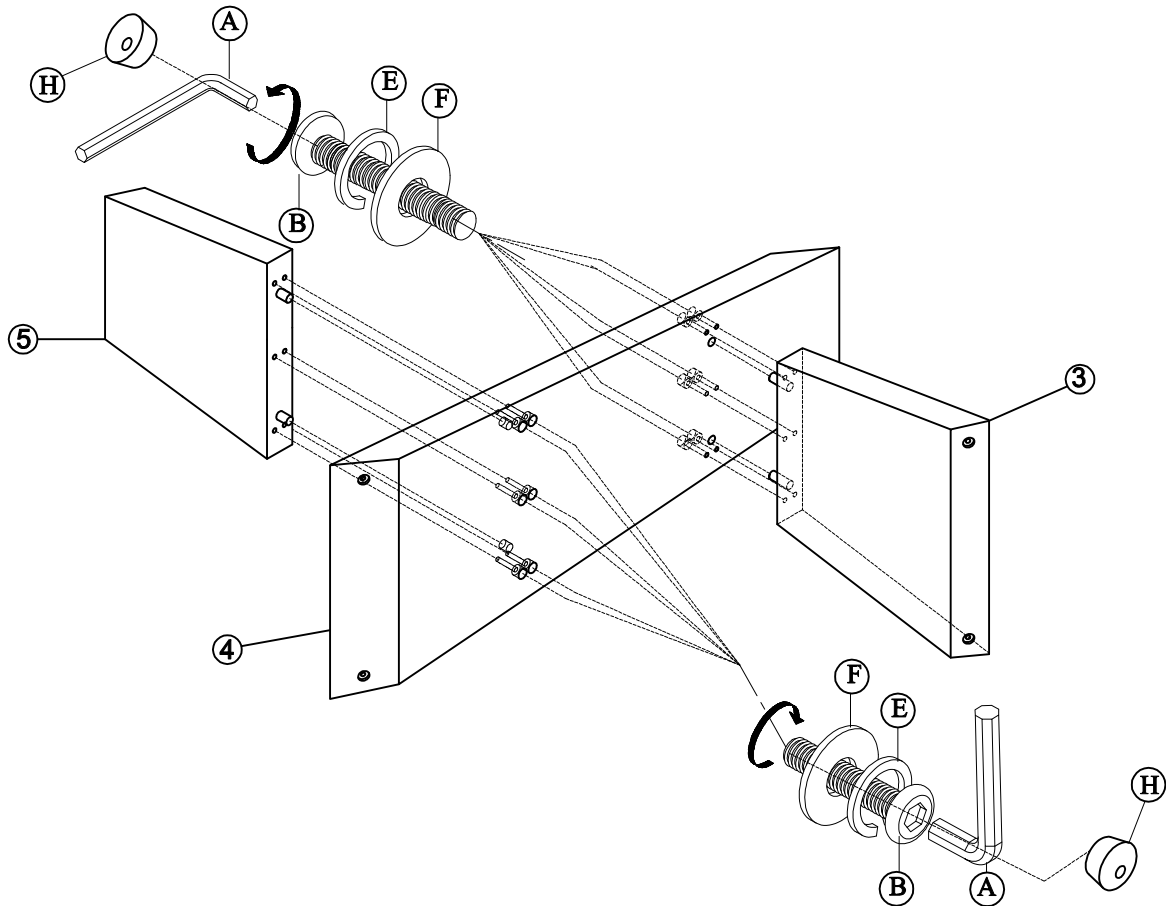
Item No: DPUR#88T /DPUR#88B

Description :Pedestal Table top with 24" butterfly top /  
Pedestal Table base Asymmetrical

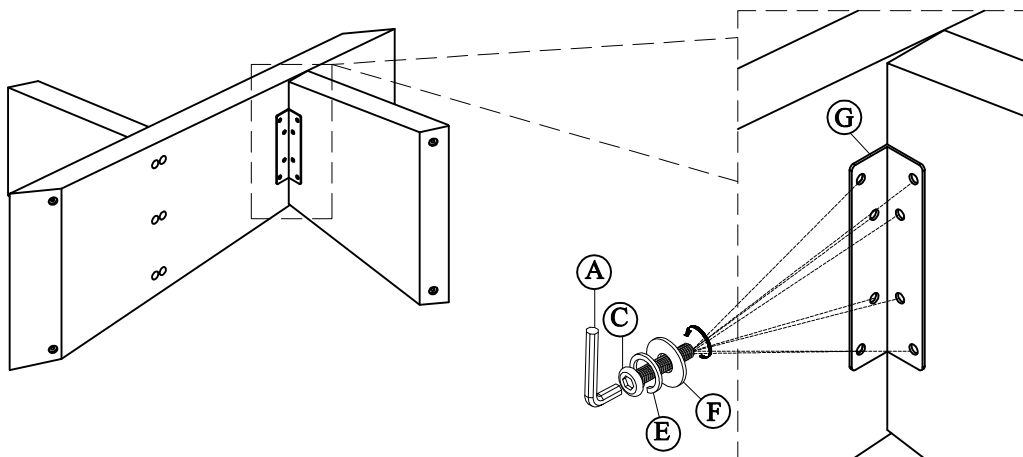
**PURE  
MODERN**

2023-05-29

## STEP 1



## STEP 2





**Parker House**  
FURNITURE

# Assembly Instruction

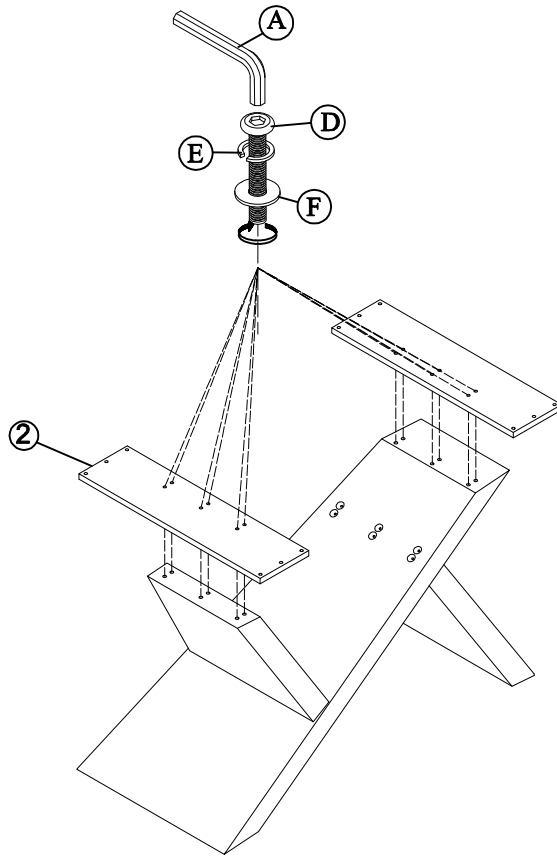
Item No: DPUR#88T /DPUR#88B

Description :Pedestal Table top with 24" butterfly top /  
Pedestal Table base Asymmetrical

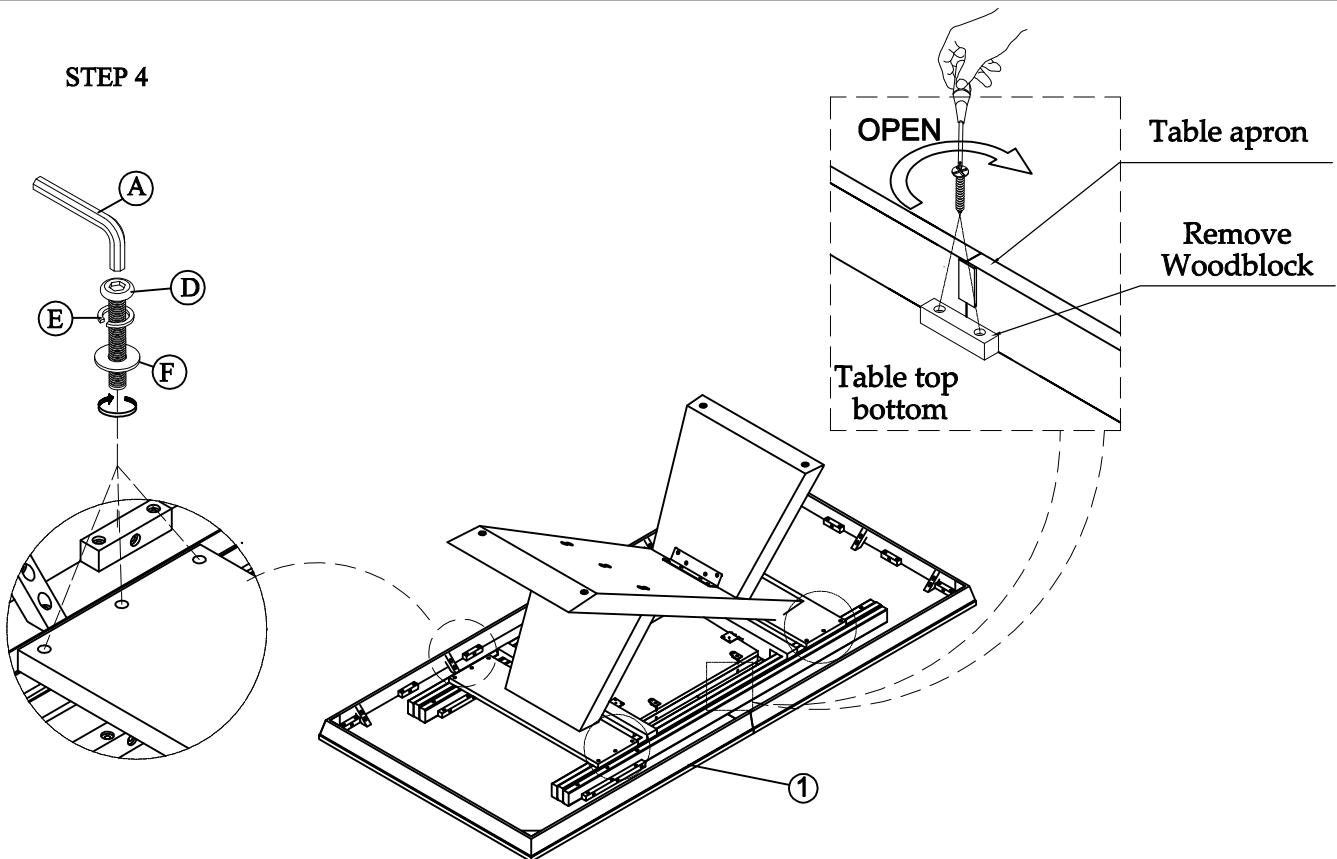
**PURE  
MODERN**

2023-05-29

## STEP 3



## STEP 4





**Parker House**  
FURNITURE

# Assembly Instruction

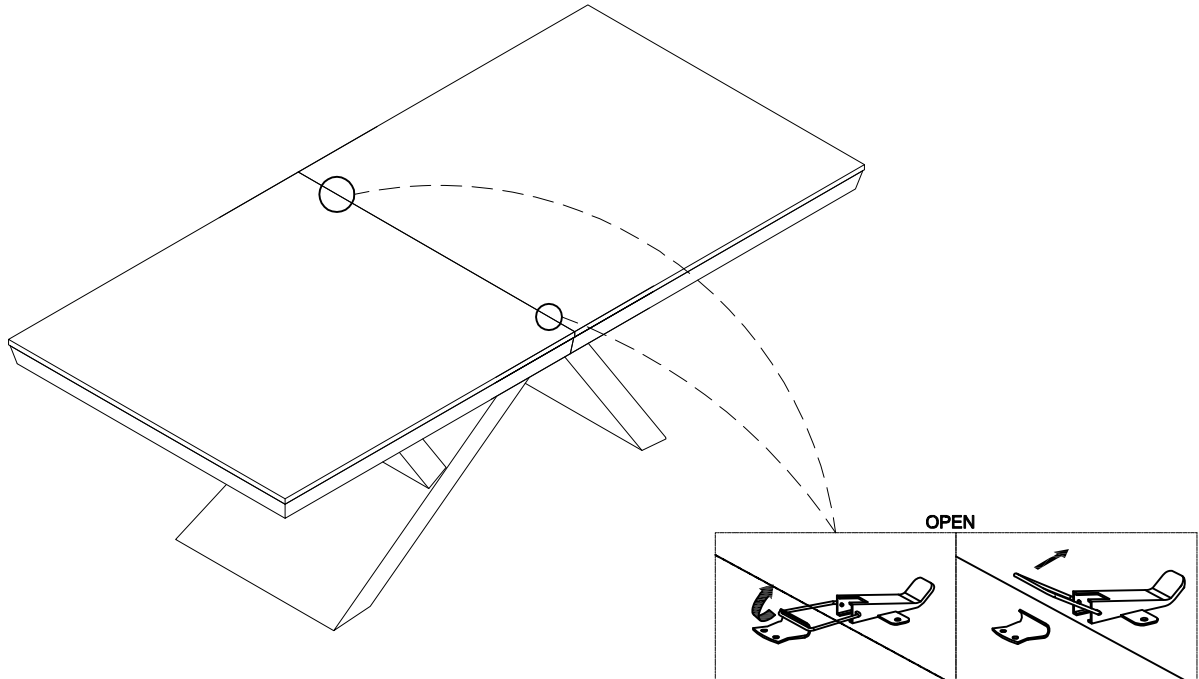
Item No: DPUR#88T /DPUR#88B

Description :Pedestal Table top with 24" butterfly top /  
Pedestal Table base Asymmetrical

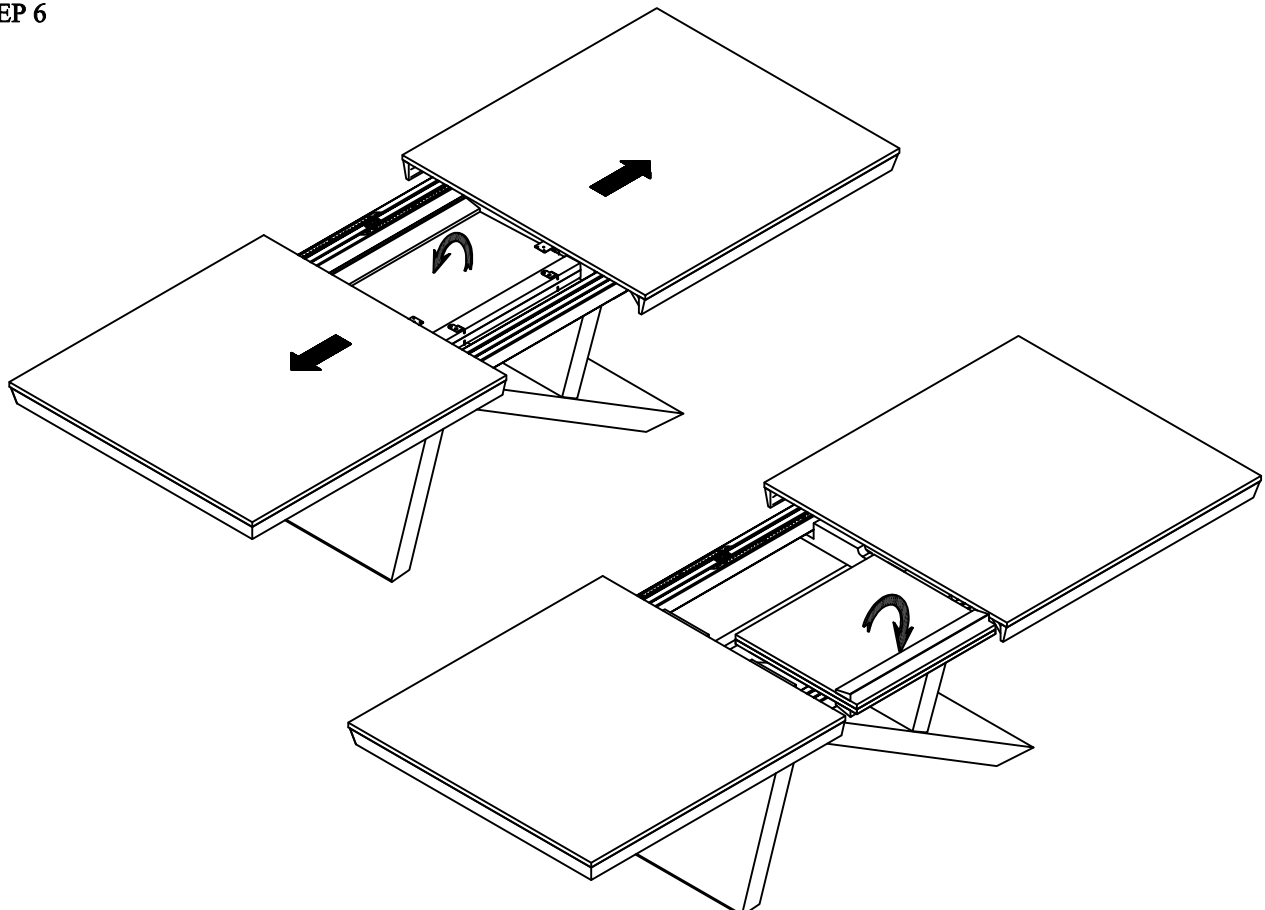
**PURE  
MODERN**

2023-05-29

## STEP 5



## STEP 6





**Parker House**  
FURNITURE

# Assembly Instruction

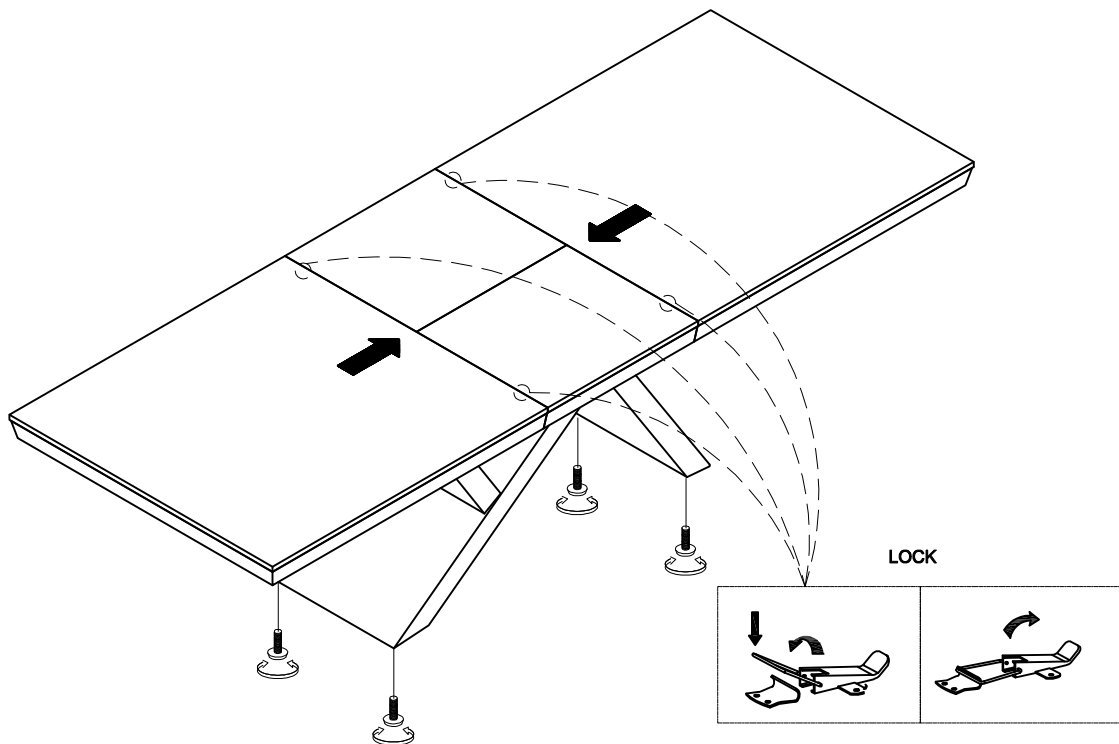
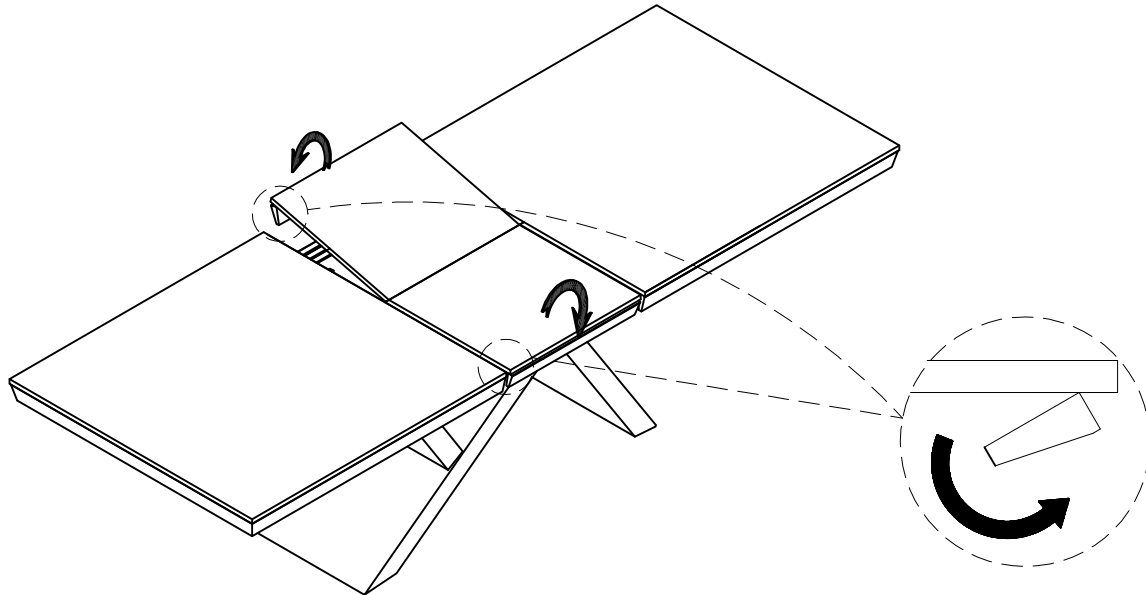
Item No: DPUR#88T /DPUR#88B

Description :Pedestal Table top with 24" butterfly top /  
Pedestal Table base Asymmetrical

**PURE  
MODERN**

2023-05-29

## STEP 7



**ASSEMBLED LEVELERS  
(4PCS)**



**Parker House**  
FURNITURE

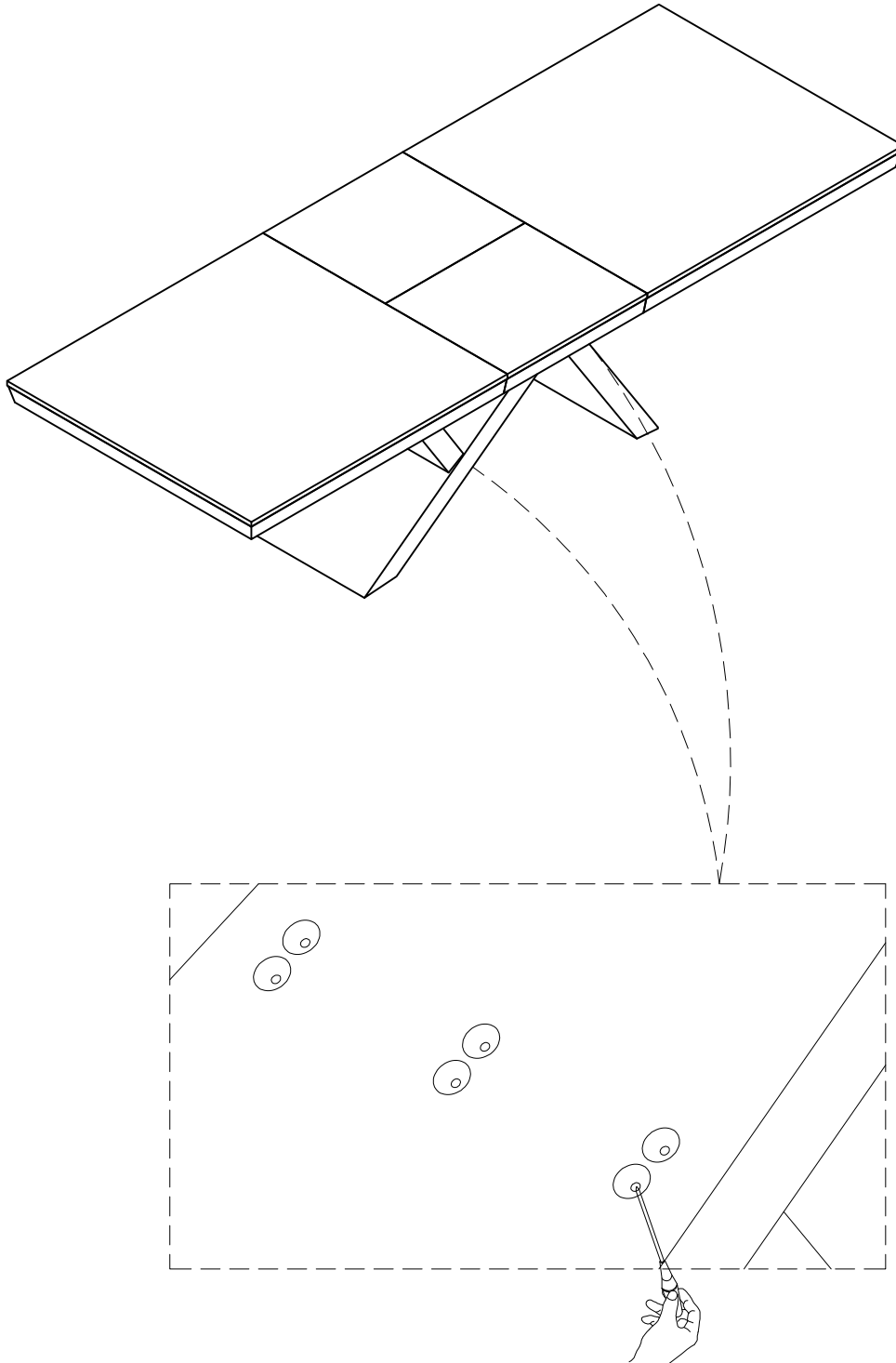
## Assembly Instruction

Item No: DPUR#88T /DPUR#88B

Description :Pedestal Table top with 24" butterfly top /  
Pedestal Table base Asymmetrical

**PURE  
MODERN**

2023-05-29



**If you need to remove plug to disassemble  
please use a sharp pointed tool to pry plug up.**