



Parker House
FURNITURE

Assembly Instruction

Item No:DPUR#78T/DPUR#78B
Description : Bar Top 78" / Bar Base



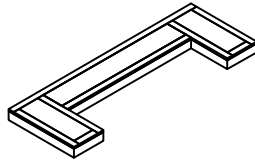
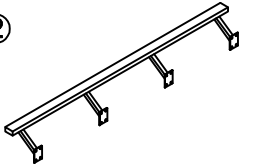


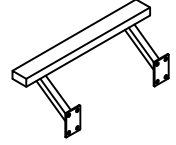

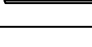
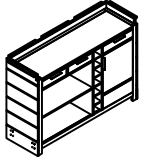
**PURE
MODERN**

2023-05-29

IMPORTANT SAFETY NOTICE: READ CAREFULLY BEFORE BEGINNING ASSEMBLY!

- *Always use proper tools.
- *Follow the assembly steps in order. Do not skip any steps.
- *Be sure to check all packing materials carefully for small parts may have come loose inside the carton during shipment. If parts are missing, contact the retailer from which you purchased the product to obtain any missing parts. **DO NOT USE SUBSTITUTE PARTS.**
- *Periodically check to ensure that all connectors (bolts, screws, etc.) are tight.
- *Keep the instructions for future reference.
- *Some assembly may involve attaching glass or mirrors. Be very careful handling the glass or mirrors, as severe injury may result if the glass or mirror breaks. Never handle large pieces of glass or mirrors by yourself.
- *When assembling products that have electric cords (lamps, light, etc.), always (1) make sure the electrical cord is unplugged before assembly and (2) be careful not to twist the electrical cord during assembly.
- *When assembling shelves or entertainment centers, do not stand on lower shelves in order to assemble upper shelves-use a step ladder.
- *Do not stand on tables, sit on tables or lay down on tables, including but not limited to, end tables, coffee tables, dinner tables as tables are not to support the weight of a person.
- *Where assembly instructions state that the assembly requires two or more people, do not attempt by yourself as there is a risk of injury.

NOTE : SIGNATURE DESIGN FURNITURE, LLC. DISCLAIMS ANY LIABILITY FOR DAMAGES OR INJURIES WHICH MAY OCCUR DUE TO FAILURE TO PROPERLY FOLLOW ASSEMBLY INSTRUCTIONS, PROPERLY ASSEMBLE THE PRODUCT, OR PROPERLY USE THE PRODUCT.

HARDWARE LIST				PART LIST	
No	Description	Sketch	Q'TY	DSUN#80T Bar Top 78"	
A	Allen Wrench 4mm		1PC	BAR TOP (1PC)	LONG METAL FOOTREST(1PC)
B	Bolt 1/4"x1-3/8"(35mm)		10PCS	① 	② 
C	Lock Washer Ø1/4"		42PCS	SHORT METAL FOOTREST(2PCS)	
D	Flat WasherØ1/4"x3/4"		42PCS	③ 	
E	Bolt 1/4"x3/4" (19mm)		32PCS	DSUN#80B Bar Base	
F	Allen Wrench 5/32" (4mm)		1PC	BAR BASE (1PC)	
				④ 	



Parker House
FURNITURE

Assembly Instruction

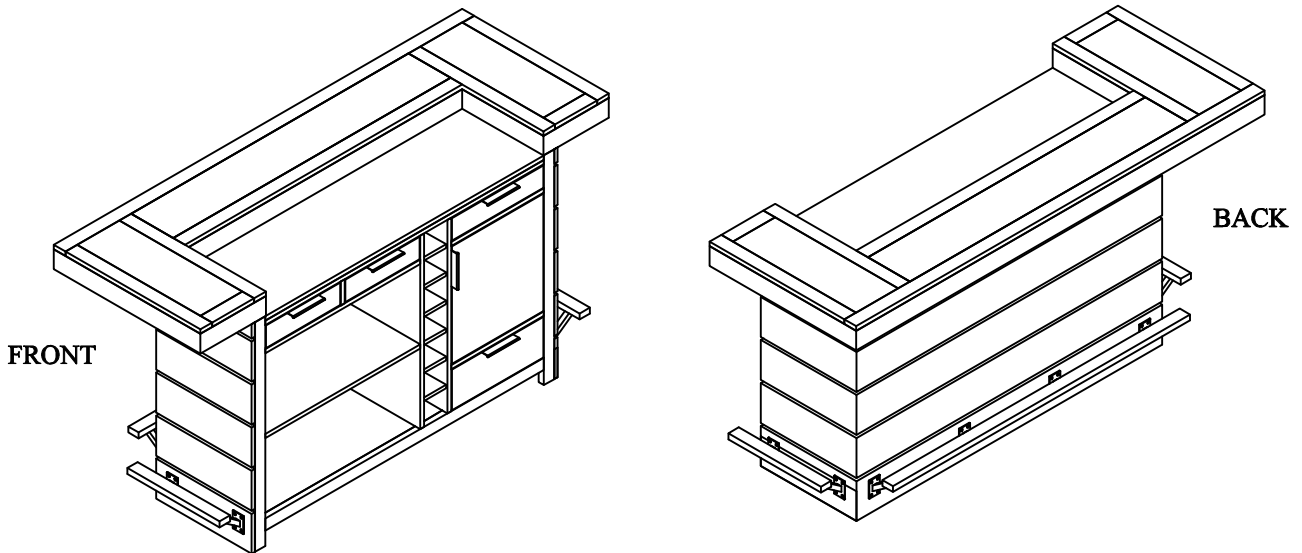
Item No:DPUR#78T/DPUR#78B
Description : Bar Top 78" / Bar Base

PURE
MODERN

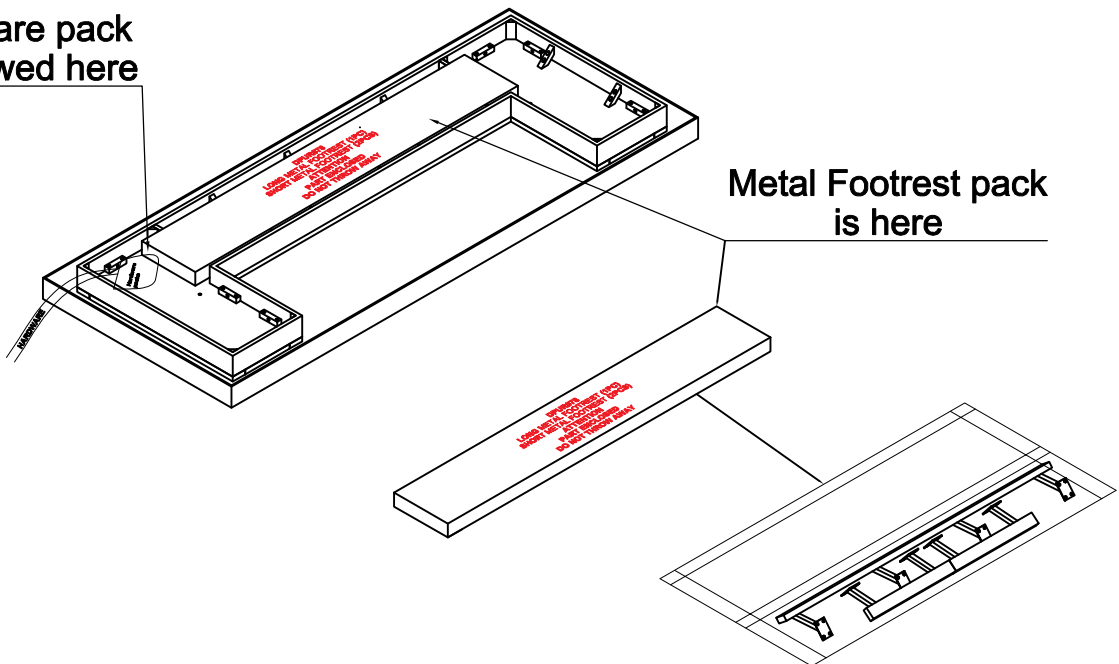
2023-05-29

For Stone and/or Wood care, only a minimal amount of mild detergent on lightly damp cloth should be used for cleaning. Spills should be wiped immediately as to not cause permanent damage or stains. Avoid placing hot items on any surface as this can cause permanent damage.

NOTE: UNIT SHOULD BE ASSEMBLED BY TWO OR MORE PEOPLE.



Hardware pack
is screwed here





Parker House
FURNITURE

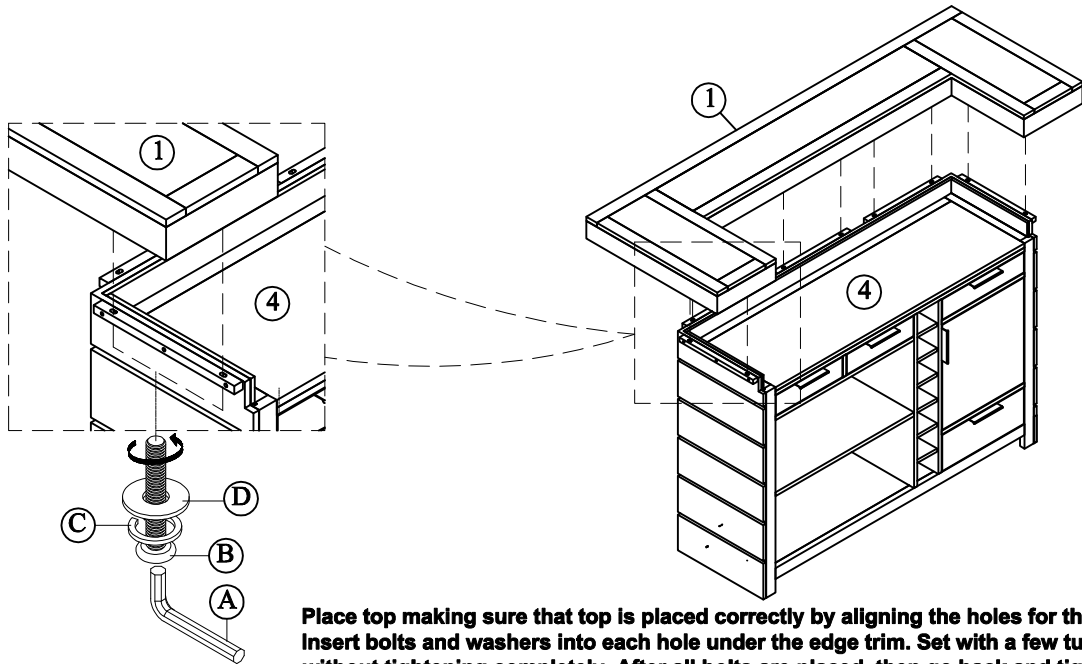
Assembly Instruction

Item No:DPUR#78T/DPUR#78B
Description : Bar Top 78" / Bar Base

PURE
MODERN

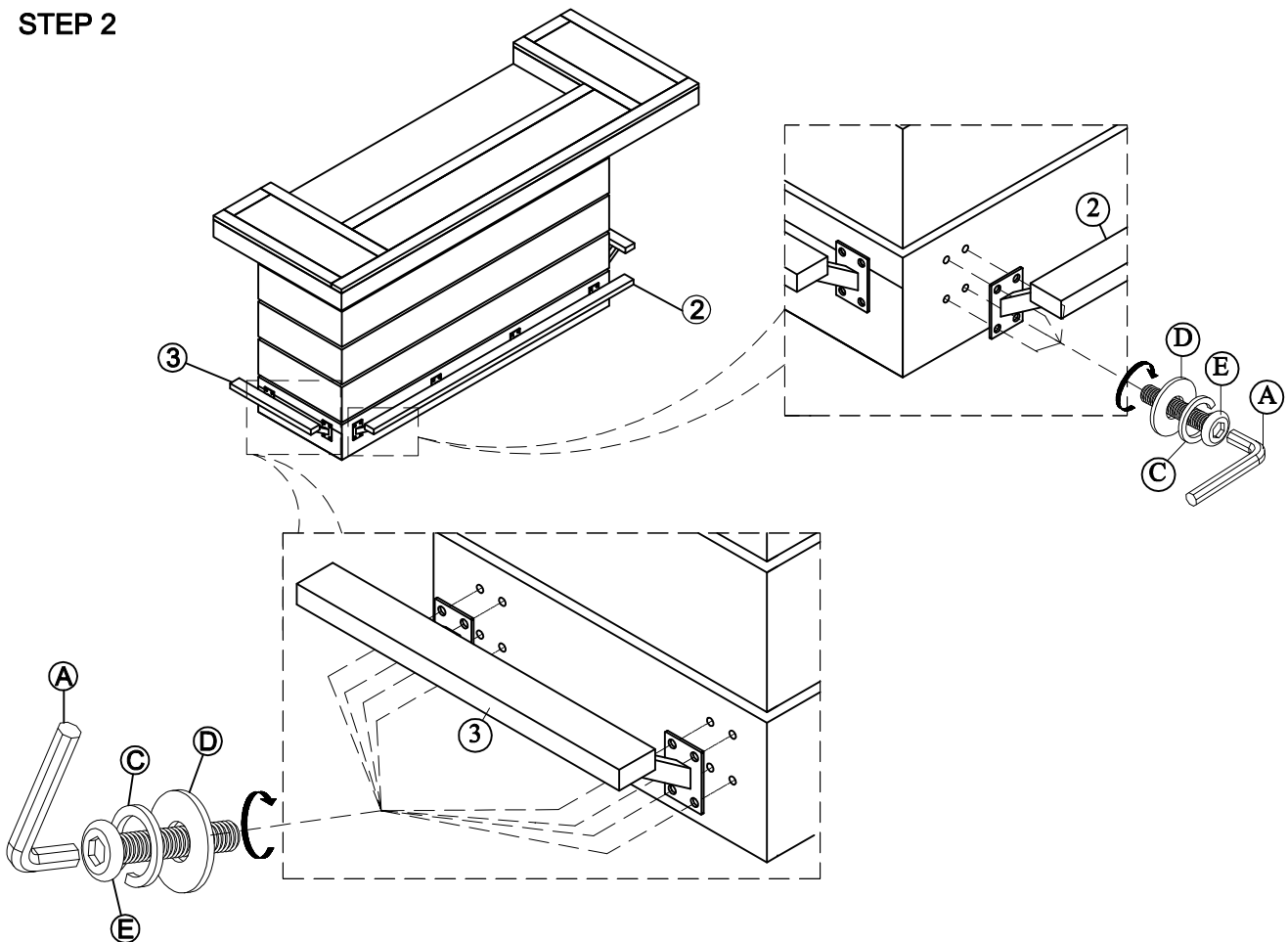
2023-05-29

STEP 1



Place top making sure that top is placed correctly by aligning the holes for the bolts. Insert bolts and washers into each hole under the edge trim. Set with a few turns without tightening completely. After all bolts are placed, then go back and tighten completely.

STEP 2





Parker House
FURNITURE

Assembly Instruction

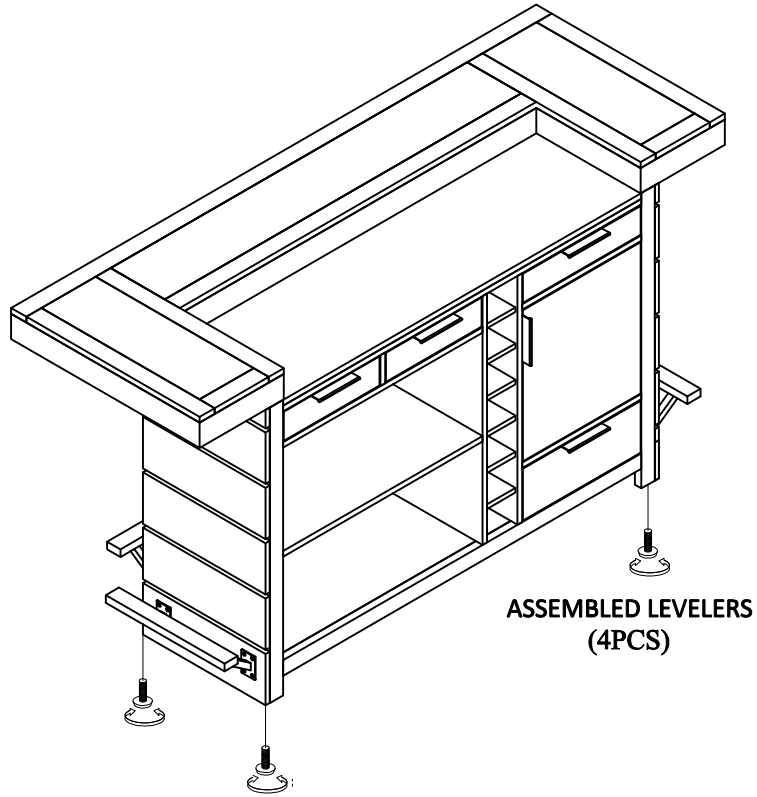
Item No:DPUR#78T/DPUR#78B
Description : Bar Top 78" / Bar Base

**PURE
MODERN**

2023-05-29

STEP 3

FRONT



BACK

