

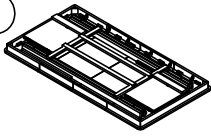
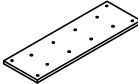
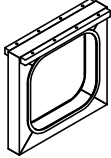


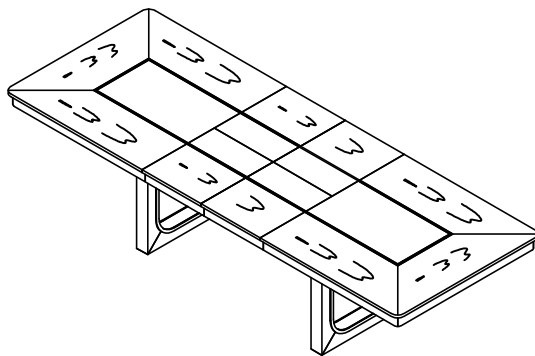
# Assembly Instruction

Item No: DESC#84T  
DESC#84B


Description: Dining Table Top 84- 120 x 44 in. (2-18 in. - Leaves) / Dining Table Base

## PARTS LIST:

① 	② 	③ 
TABLE TOP: 1PC	TOP PANEL: 2PCS	TABLE BASE: 2PCS



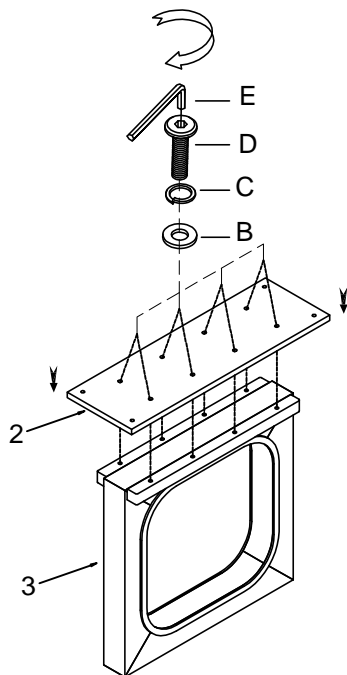
## ④ HARAWARE LISTT OF BESC#84T

NO.	DRAWING	DESCRIPTION	
A		Touch Pen	1Pc

## ⑤ HARAWARE LISTT OF BESC#84B

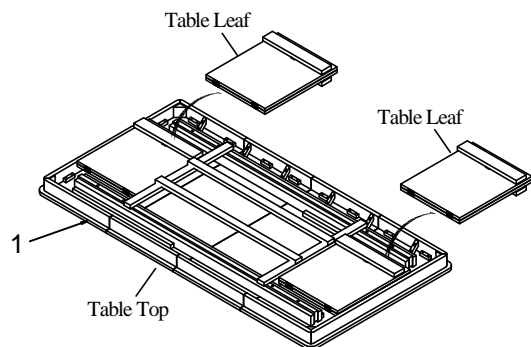
NO.	DRAWING	DESCRIPTION	
B		Flat Washer $\phi 5/16'' \times 19 \times 2\text{mm}$	24Pcs
C		Spring Washer $\phi 5/16''$	24Pcs
D		Bolt $\phi 5/16'' \times 1-3/4''$	24Pcs
E		Allen Key 4mm	1Pc

### STEP 1



### STEP 2

Remove The Table Leaf And The Under Table Top





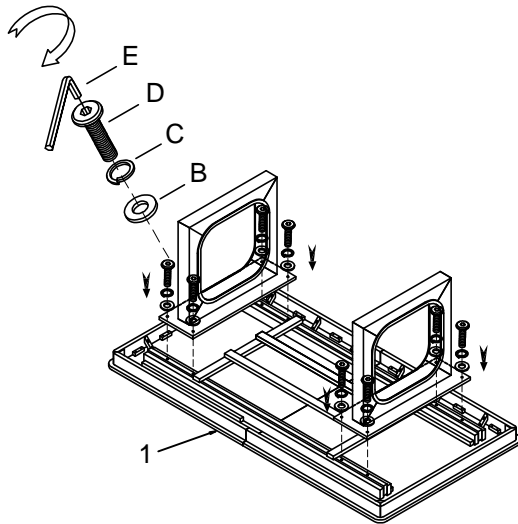
Darker House  
FURNITURE

# Assembly Instruction

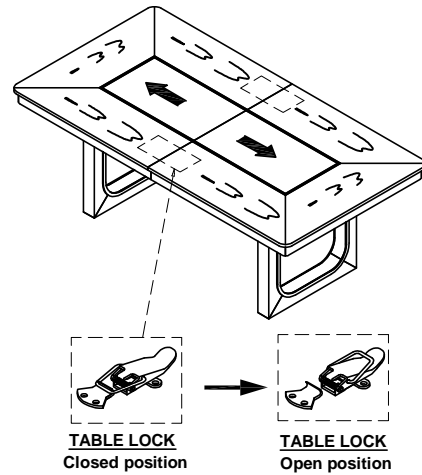
Item No: DESC#84T  
DESC#84B

Description: Dining Table Top 84- 120 x 44 in. (2-18 in. - Leaves) / Dining Table Base

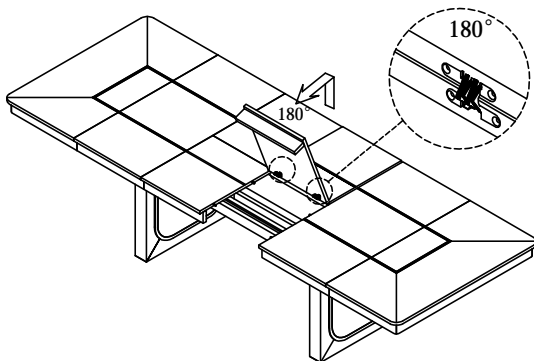
## STEP 3



## STEP 4



## STEP 5



## STEP 6

