



Darker House
FURNITURE

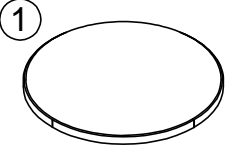
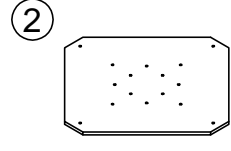
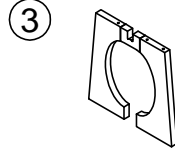
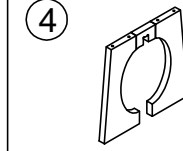
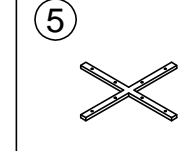
Assembly Instruction

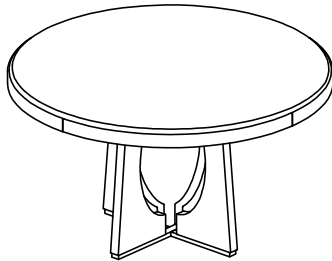
Item No: DESC#54T

DESC#54B


Description: Dining Table Top 54in / Dining Table Base 54in

PARTS LIST:




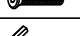

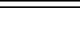
				
TOP FRAME: 1PC	TOP PANEL: 1PC	LOWER LEG: 1PC	UPPER LEG: 1PC	METAL BASE: 1PC



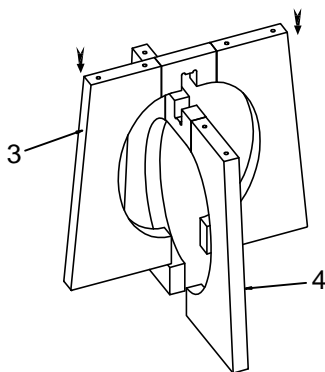
6 HARAWARE LISTT OF BESC#54T

NO.	DRAWING	DESCRIPTION	
A		Touch Pen	1Pc

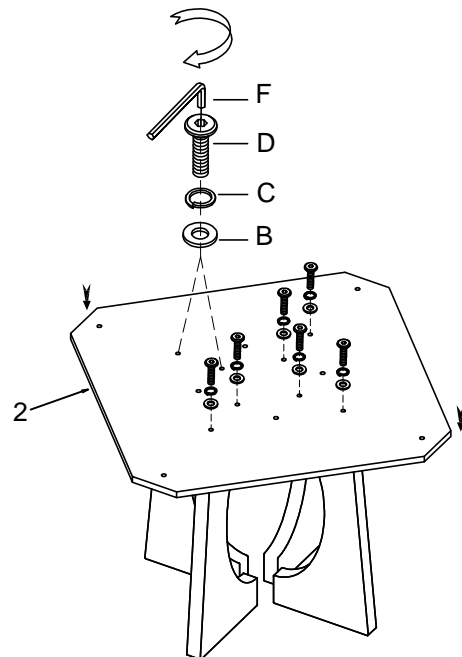
7 HARAWARE LISTT OF BESC#54B

NO.	DRAWING	DESCRIPTION	
B		Flat Washer $\phi 5/16"$ x 19*2mm	16Pcs
C		Spring Washer $\phi 5/16"$	16Pcs
D		Bolt $\phi 5/16"$ x 1-1/2"	16Pcs
E		Bolt $\phi 1/4"$ x 1-1/4"	8Pcs
F		Allen Key 5mm	1Pc
G		Allen Key 4mm	1Pc

STEP 1



STEP 2





Darker House
FURNITURE

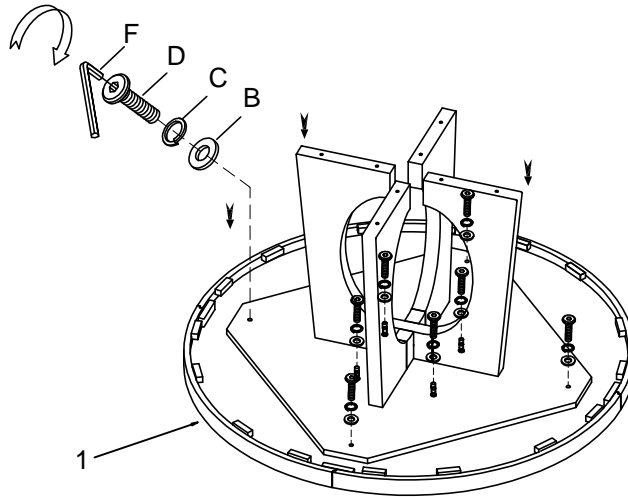
Assembly Instruction

Item No: DESC#54T

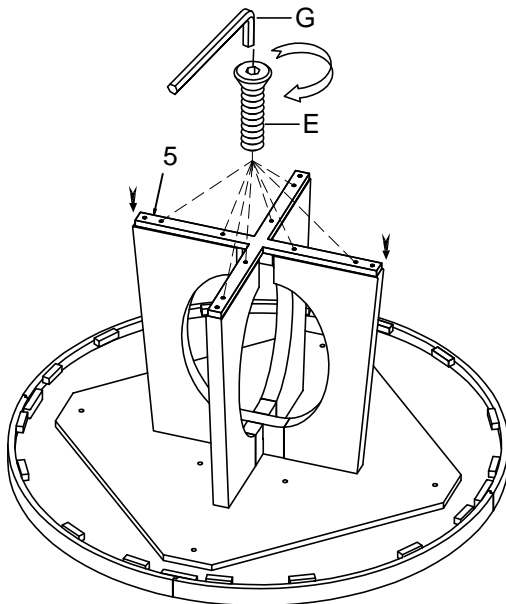
DESC#54B

Description: Dining Table Top 54in / Dining Table Base 54in

STEP 3



STEP 4



Completed

