

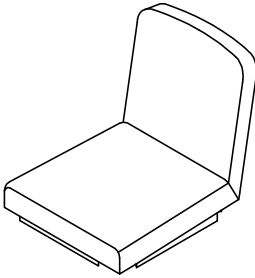
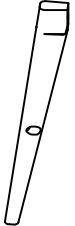



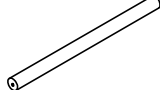









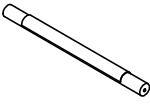
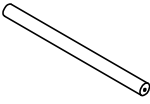



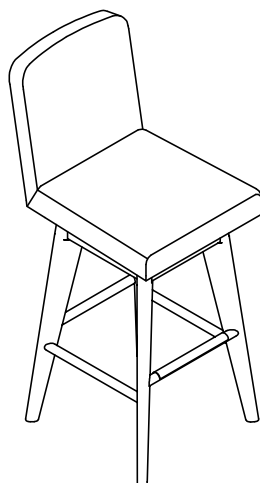
Assembly Instruction

Item No: DESC#2530S

Description: Upholstered Swivel Barstool

PARTS LIST

					
CHAIR SEAT AND BACK : 1PC	FRONT LEG LEFT : 1PC	FRONT LEG RIGHT : 1PC	BACK LEG LEFT : 1PC		
		⑦ HARAWARE LIST			
BACK LEG RIGHT : 1PC	SIDE BOTTOM BAR : 2PCS	NO.	DRAWING	DESCRIPTION	
		A		Spring Washer $\phi 5/16"$	8Pcs
		B		Flat Washer $\phi 5/16"$ x 19*2mm	8Pcs
		C		Bolt $\phi 5/16"$ x 2"	8Pcs
		D		Allen Key 5mm	1Pc
		E		Bolt $\phi 1/4"$ x 3"	4Pcs
		F		Flat Washer $\phi 5/16"$ x 16*2mm	4Pcs
		G		Spring Washer $\phi 1/4"$	4Pcs
		H		Allen Key 4mm	1Pc
		I		Screw #8*1"	8Pcs
		J		Touch Pen	1Pc
FRONT BAR : 1PC	BACK BAR : 1PC				



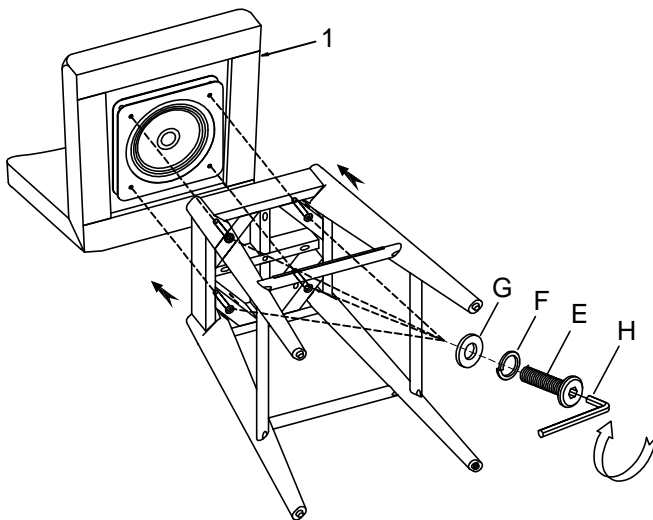
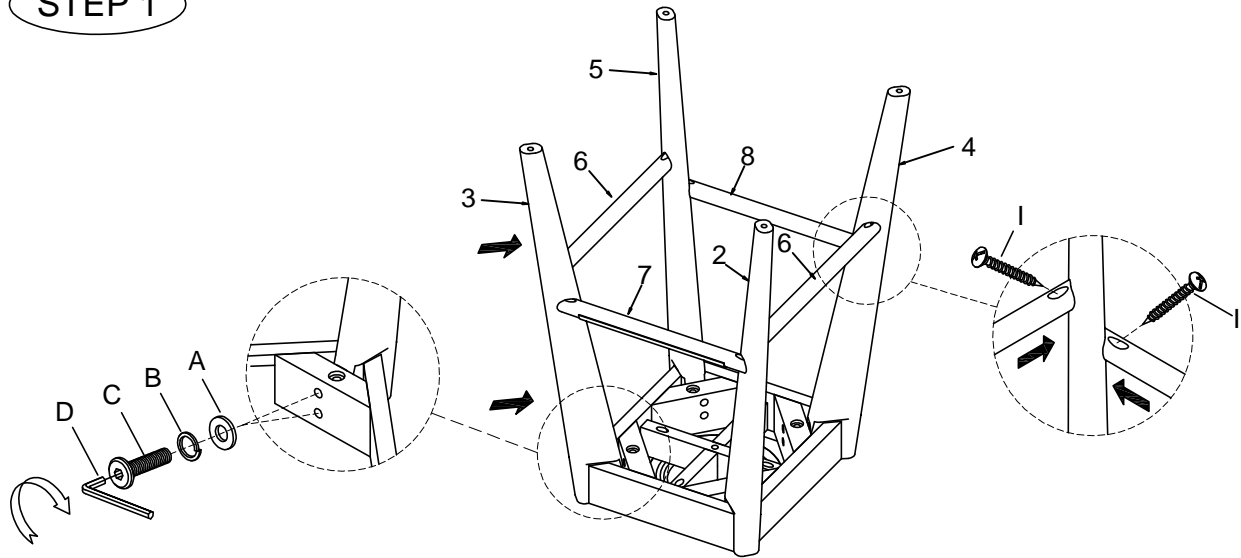


Assembly Instruction

Item No: DESC#2530S

Description: Upholstered Swivel Barstool

STEP 1



Completed

