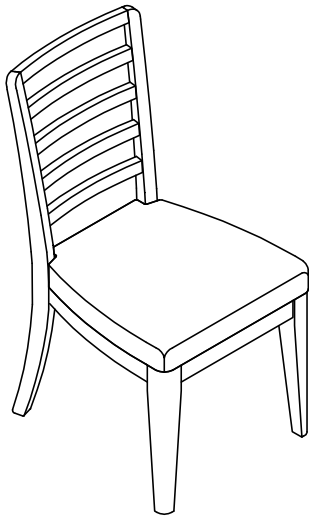




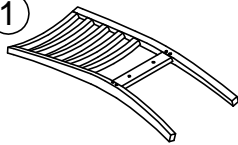
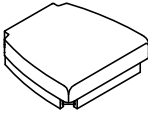

Assembly Instruction








Item No: DESC#2018

Description: Dining Chair Ladder Back (2/CTN Sold in pairs)

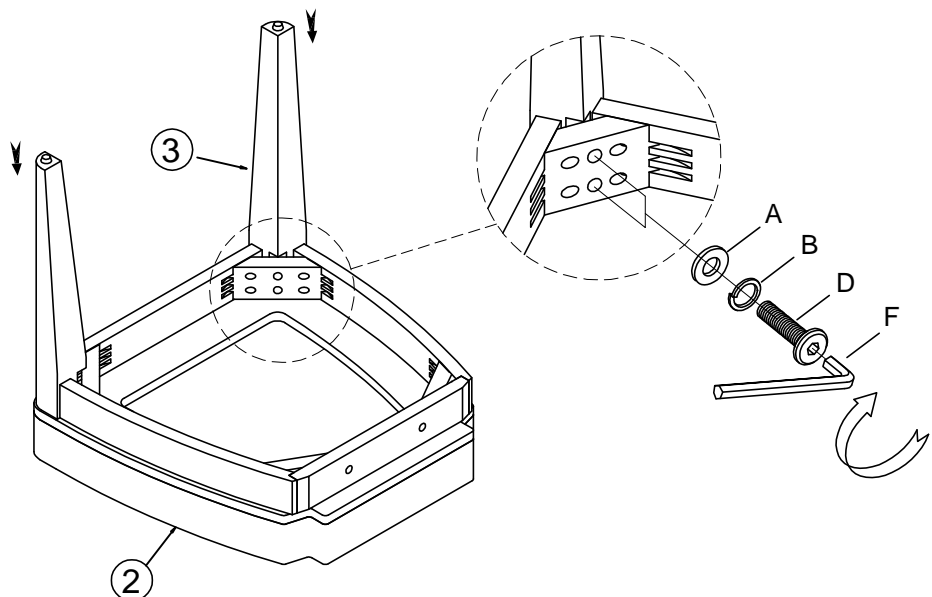


PARTS LIST:

① 	② 	③ 
CHAIR BACK: 1PC	SEAT FRAME: 1PC	FRONT LEG: 2PCS

④ HARAWARE LIST			
NO.	DRAWING	DESCRIPTION	
A		Spring Washer $\phi 5/16"$	10Pcs
B		Flat Washer $\phi 5/16" \times 19 \times 2\text{mm}$	10Pcs
C		Bolt $\phi 5/16" \times 3"$	4Pcs
D		Bolt $\phi 5/16" \times 2"$	4Pcs
E		Bolt $\phi 5/16" \times 1-3/4"$	2Pcs
F		Allen Key 5mm	1Pc
G		Touch Pen	1Pc

STEP 1



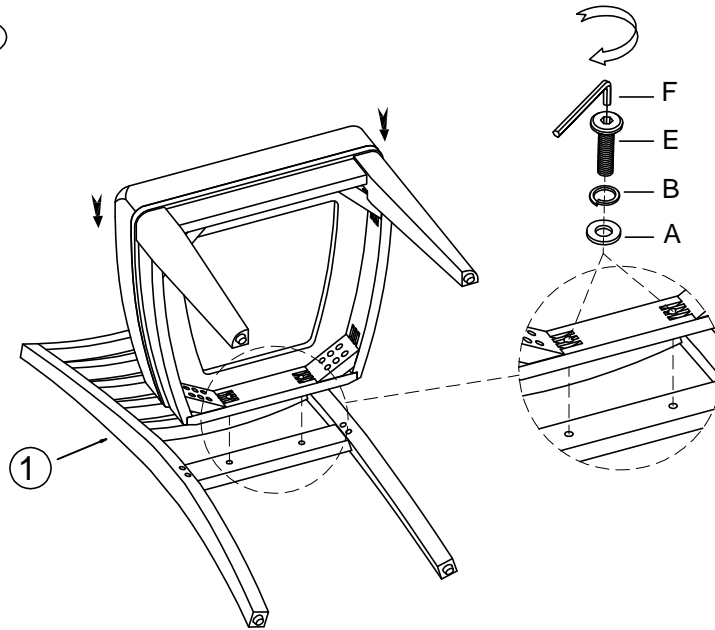


Assembly Instruction

Item No: DESC#2018

Description: Dining Chair Ladder Back (2/CTN Sold in pairs)

STEP 2



STEP 3

