







**Parker House**  
FURNITURE

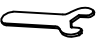



# Assembly Instruction

Item No: DAME#88T & DAME#88B

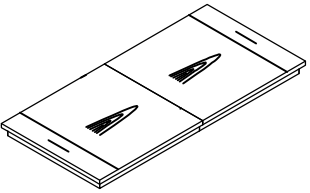
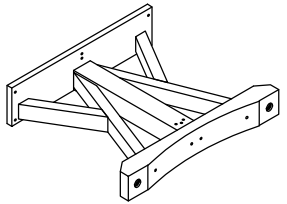
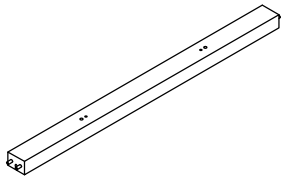
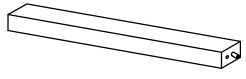
Description : DINING TABLE 88IN X 42IN TRESTLE TOP &  
DINING TABLE TRESTLE BASE

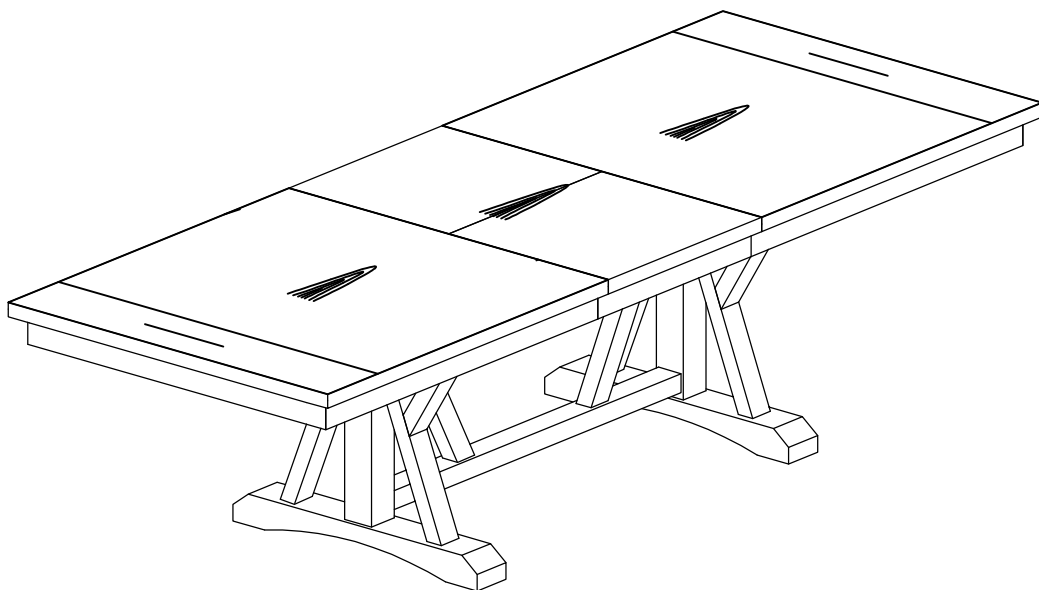
## HARDWARE LIST

No	Description	Sketch	Q'TY
A	Allen Wrench 4mm		1PC
B	Bolt Ø5/16 x 45mm		12PCS
C	Lock Washer Ø5/16 x 12mm		12PCS
D	Flat Washer Ø5/16 x 19mm		12PCS

E	Wrench Ø5/16		1PC
F	Hex Nut Ø5/16 x 12mm		2PCS
G	Halfmoon Washer		2PCS
H	Bolt Ø5/16 x 83mm		2PCS

## PARTS LIST

TABLE TOP (1PC)	FRAME LEG (2PCS)	STRETCHER (1PC)	ANGLE STRETCHER (2PCS)
① 	② 	③ 	④ 





Parker House  
FURNITURE

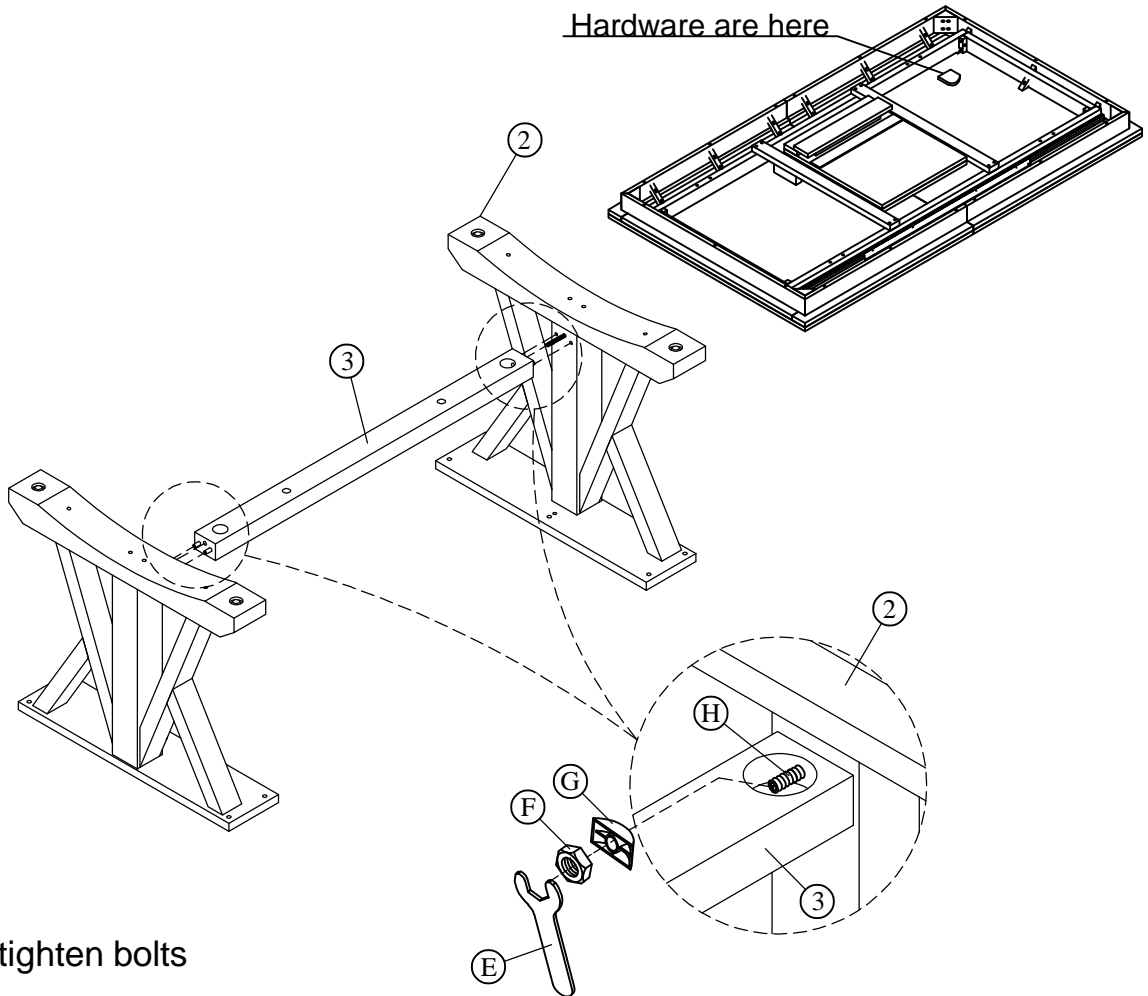
# Assembly Instruction

Item No: DAME#88T & DAME#88B

Description : DINING TABLE 88IN X 42IN TRESTLE TOP &  
DINING TABLE TRESTLE BASE

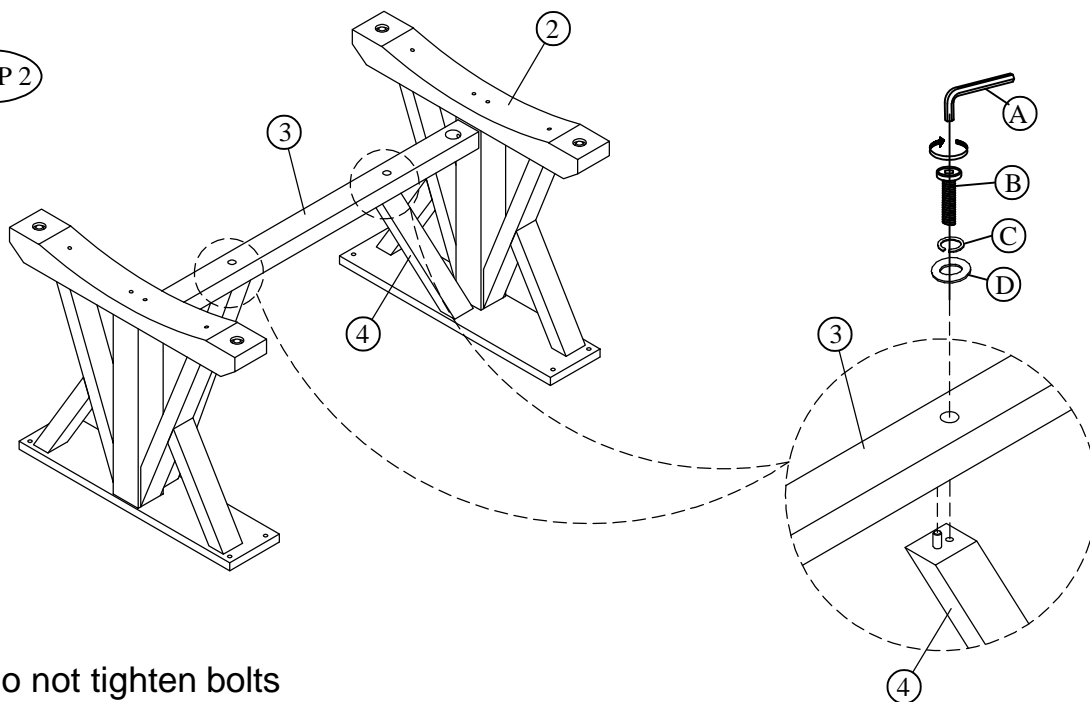
Hardware are here

STEP 1



\* Do not tighten bolts

STEP 2



\* Do not tighten bolts



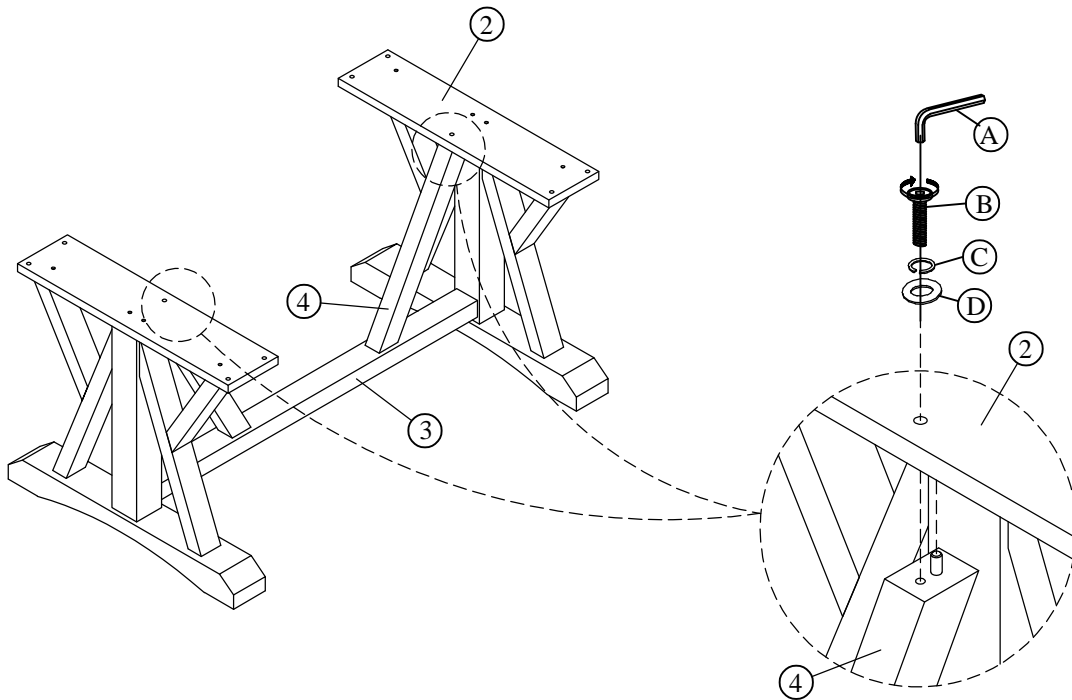
Parker House  
FURNITURE

# Assembly Instruction

Item No: DAME#88T & DAME#88B

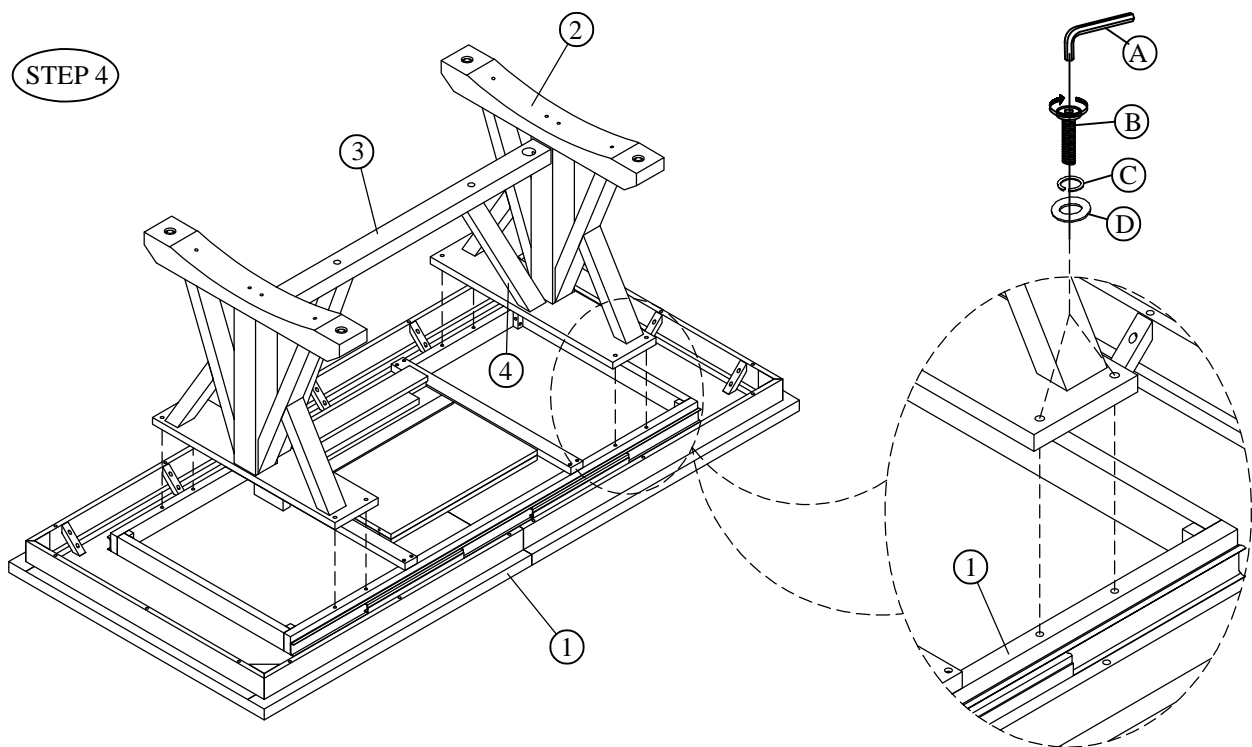
Description : DINING TABLE 88IN X 42IN TRESTLE TOP &  
DINING TABLE TRESTLE BASE

STEP 3



\* Do not tighten bolts

STEP 4



\* Tighten all bolts



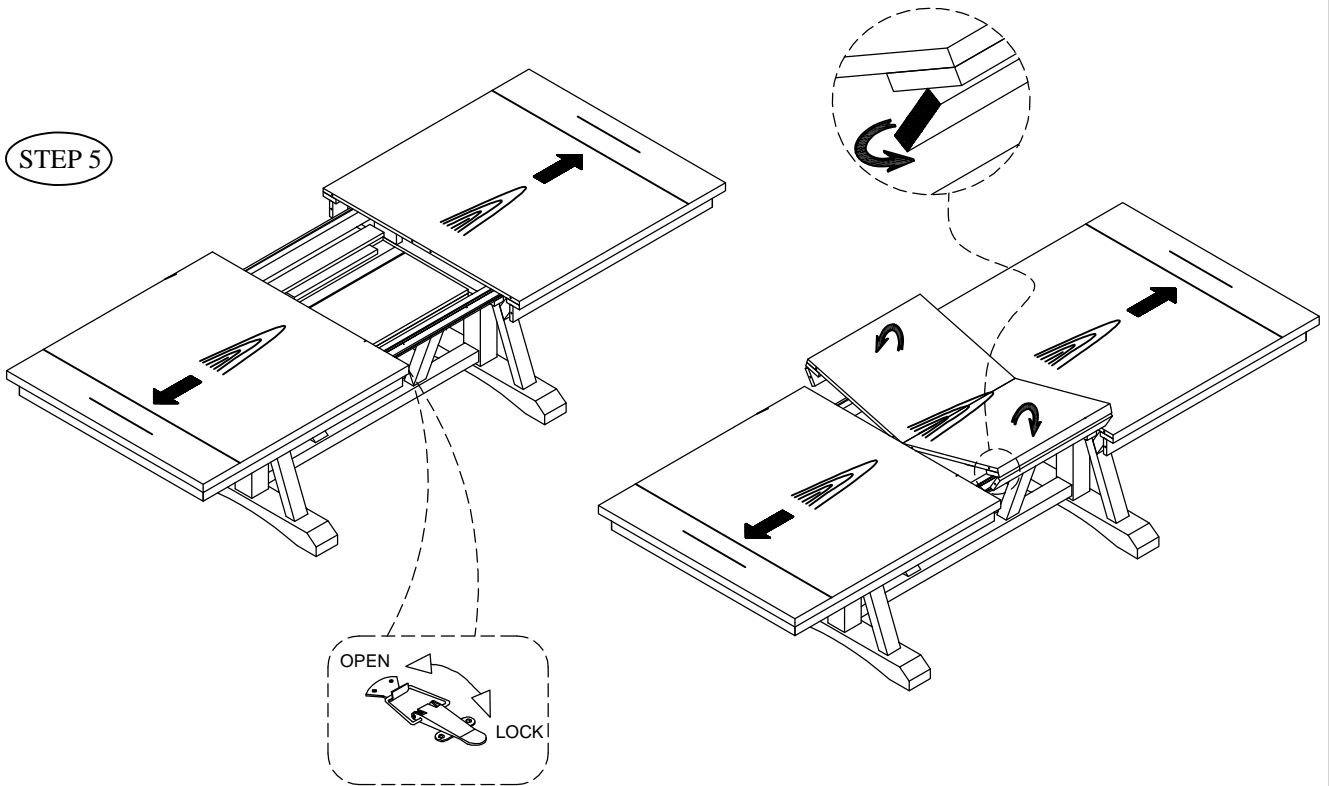
Parker House  
FURNITURE

# Assembly Instruction

Item No: DAME#88T & DAME#88B

Description : DINING TABLE 88IN X 42IN TRESTLE TOP &  
DINING TABLE TRESTLE BASE

STEP 5



STEP 6

