







Parker House
FURNITURE

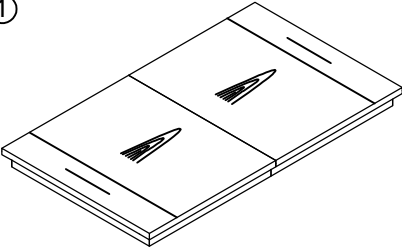
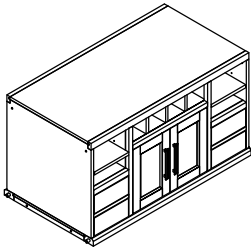
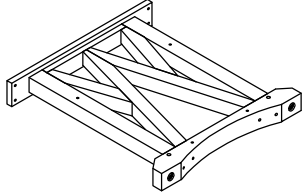
Assembly Instruction

Item No: DAME#72T & DAME#72B
Description : ISLAND COUNTER HEIGHT TOP 72IN X 42IN &
ISLAND COUNTER HEIGHT BASE

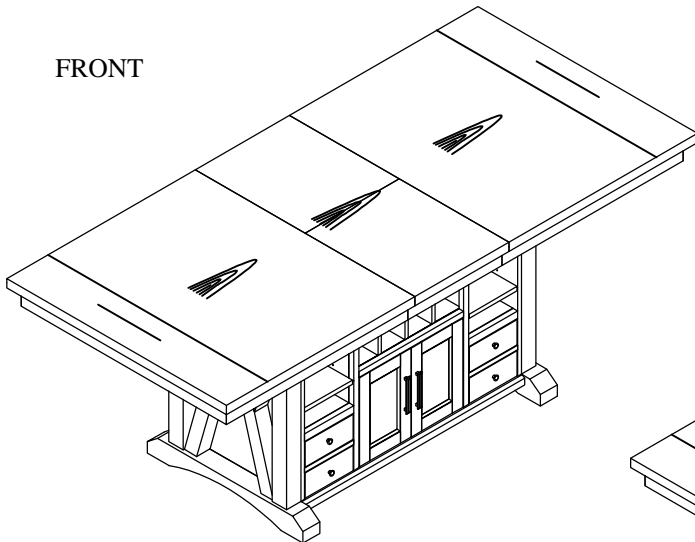
HARDWARE LIST

No	Description	Sketch	Q'TY
A	Allen Wrench 4mm		1PC
B	Bolt Ø5/16 x 45mm		16PCS
C	Lock Washer Ø5/16 x 12mm		16PCS
D	Flat Washer Ø5/16 x 19mm		16PCS

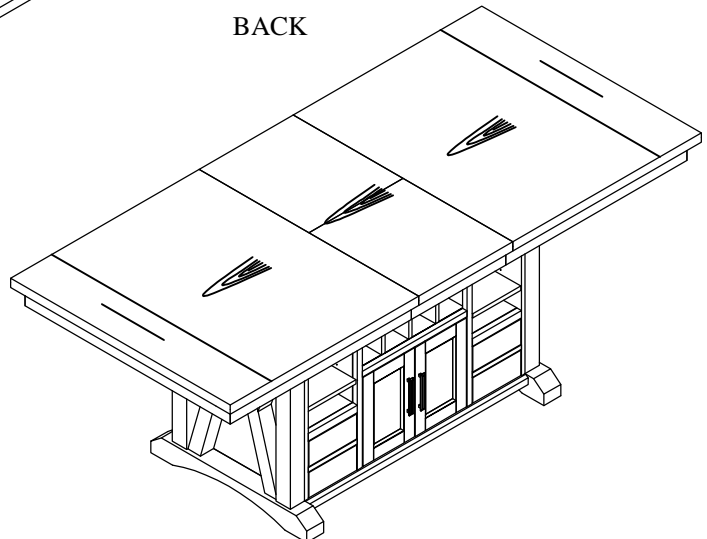
PARTS LIST

TABLE TOP (1PC)	TABLE BASE (1PC)	FRAME LEG (2PCS)
① 	② 	③ 

FRONT



BACK





Parker House
FURNITURE

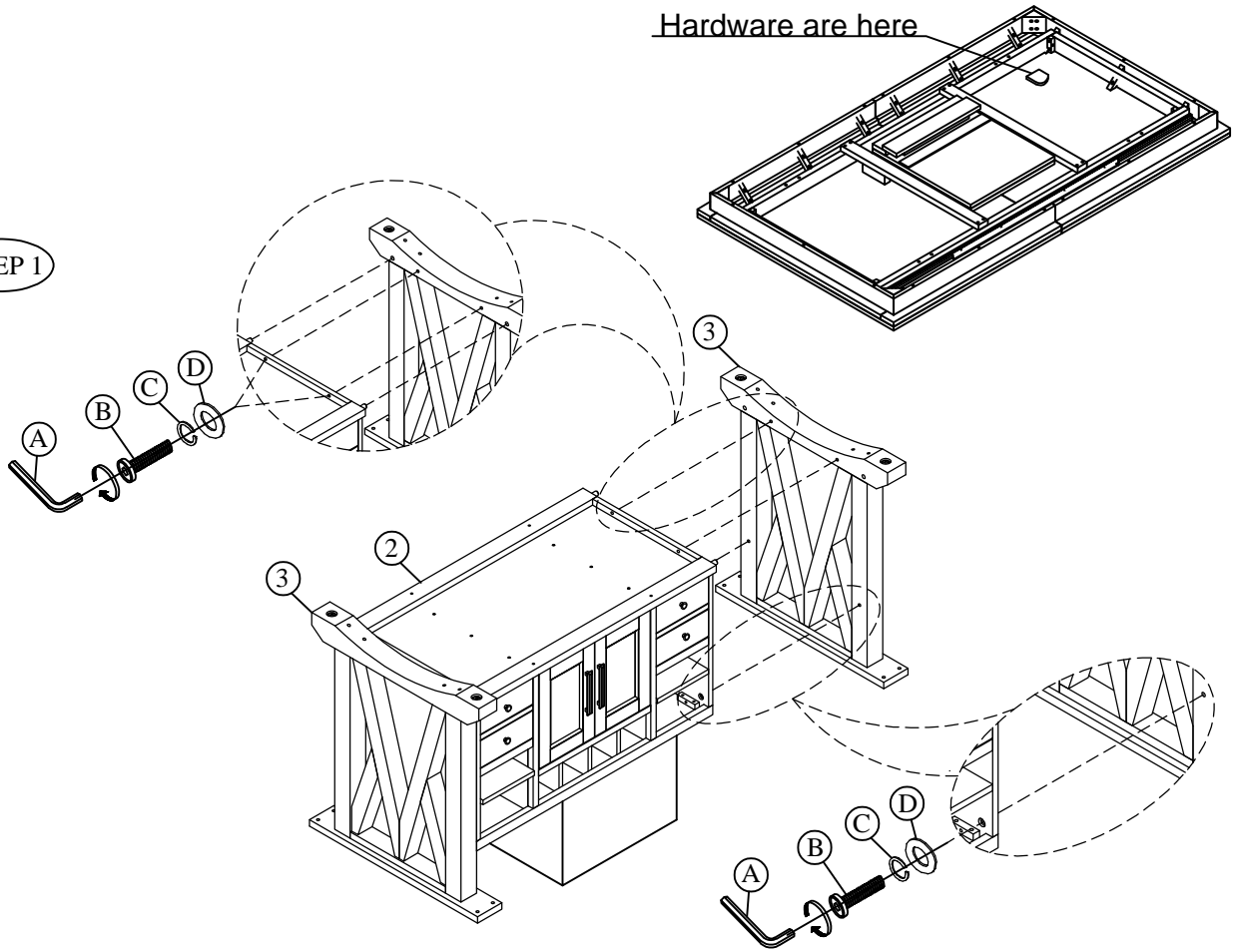
Assembly Instruction

Item No: DAME#72T & DAME#72B

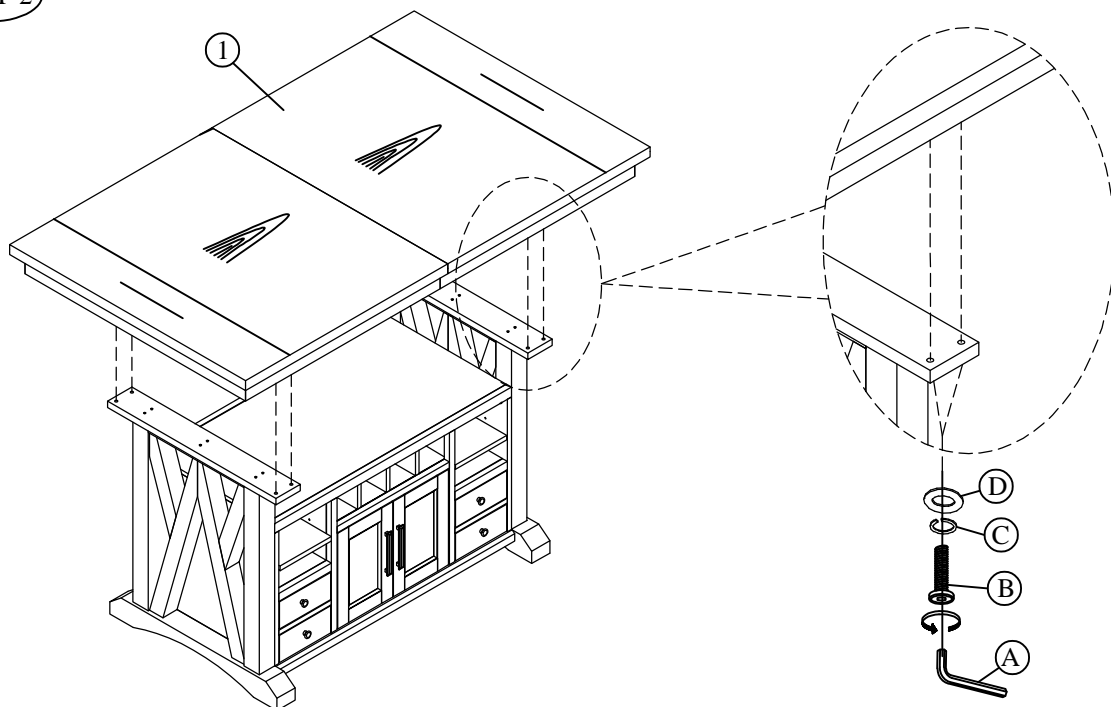
Description : ISLAND COUNTER HEIGHT TOP 72IN X 42IN &
ISLAND COUNTER HEIGHT BASE

Hardware are here

STEP 1



STEP 2





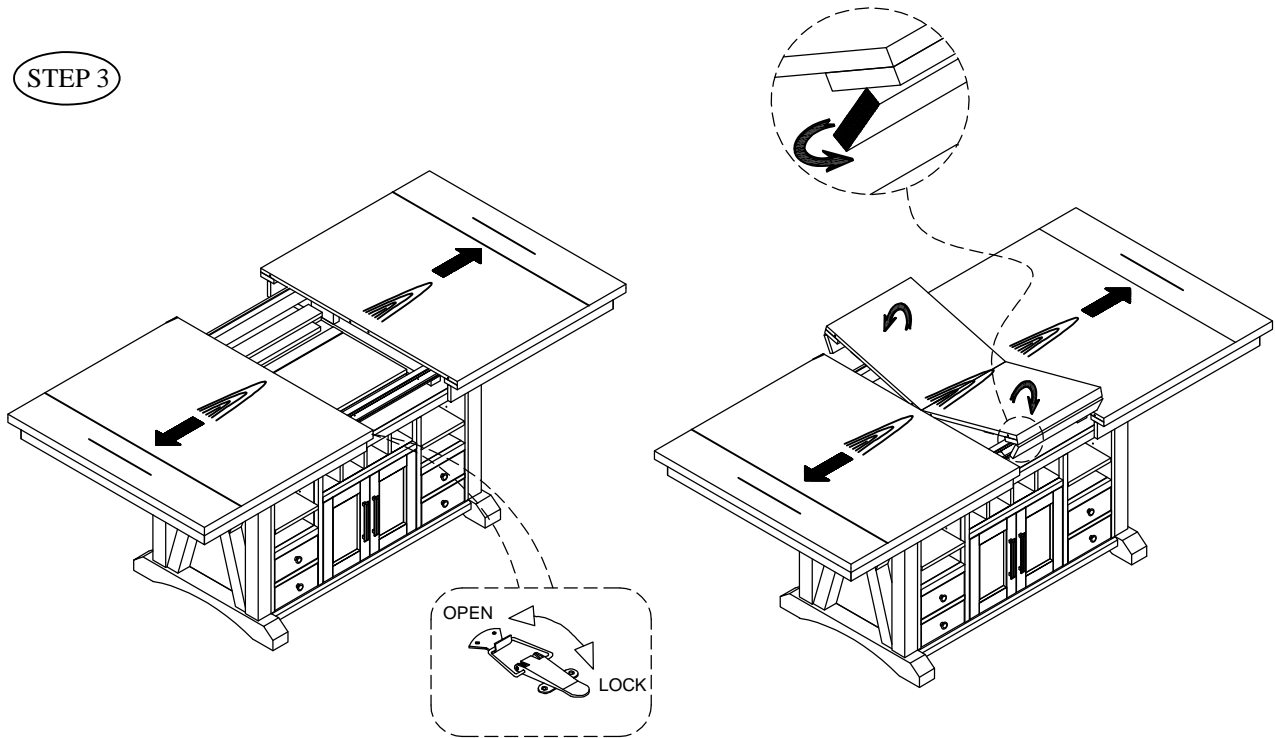
Parker House
FURNITURE

Assembly Instruction

Item No: DAME#72T & DAME#72B

Description : ISLAND COUNTER HEIGHT TOP 72IN X 42IN &
ISLAND COUNTER HEIGHT BASE

STEP 3



STEP 4

