

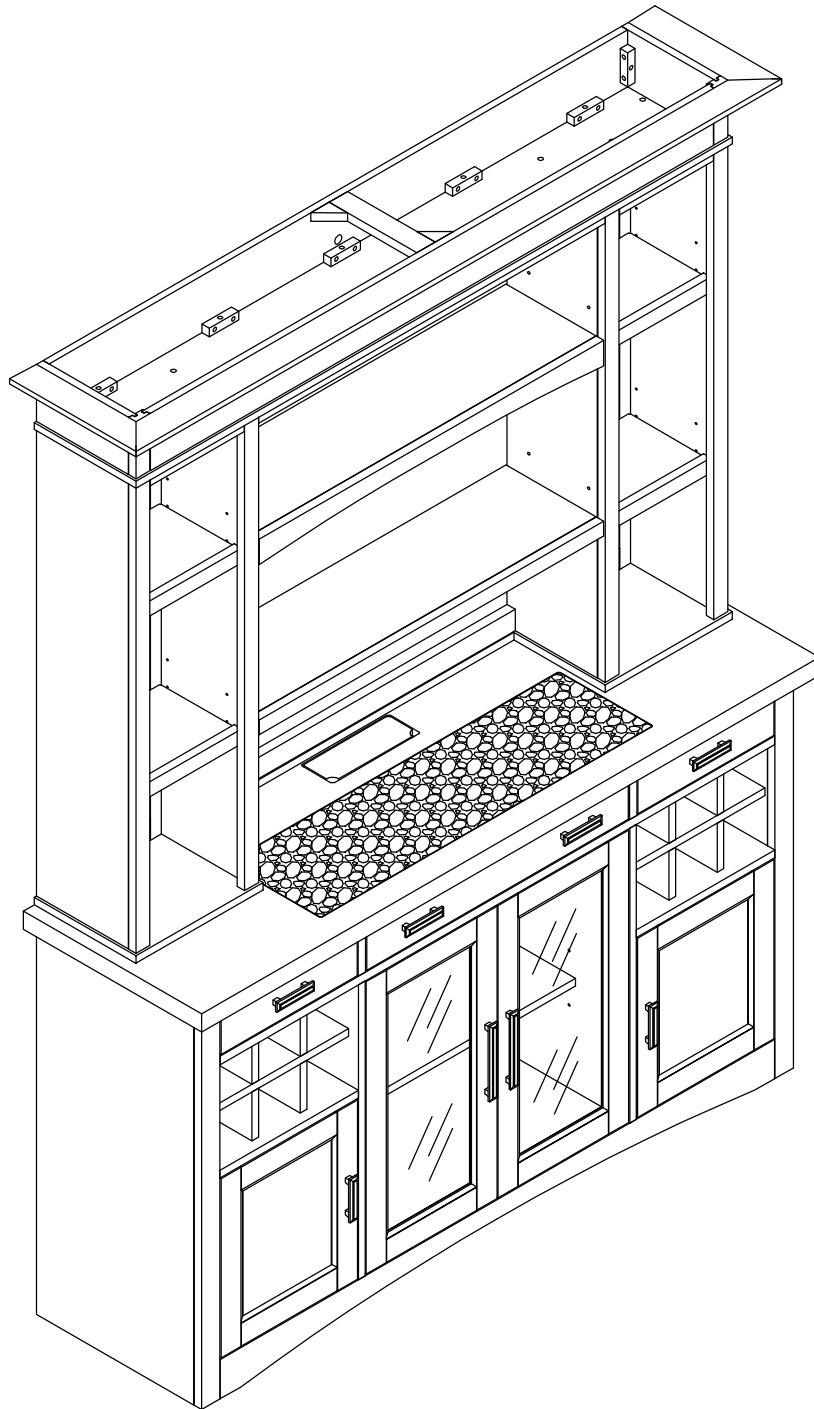


Parker House
FURNITURE

Assembly Instruction

Item No: DAME#69H

Description : DISPLAY HUTCH 69 IN





Parker House
FURNITURE

Assembly Instruction

Item No: DAME#69H
Description : DISPLAY HUTCH 69 IN

HARDWARE LIST

No	Description	Sketch	Q'TY
A	Allen Wrench 4mm		1PC
B	Bolt Ø5/16 x 38mm		8PCS
C	Lock Washer Ø5/16 x 12mm		8PCS
D	Flat Washer Ø5/16 x 19mm		8PCS
E	Shelf Pin		8PCS
F	Shelf Holder		16PCS
G	Wrench Ø5/16		1PC
H	Hex Nut Ø5/16 x 12mm		2PCS
I	Halfmoon Washer		2PCS
J	Bolt Ø5/16 x 83mm		2PCS
K	Screw #3.5 x 15mm		42PCS
L	Anti-tip hardware		1 Set

PARTS LIST

SERVER (1PC)	HUTCH TOP (1PC)	LEFT PIER (1PC)	RIGHT PIER (1PC)	UPPER SHELF (1PC)
① 	② 	③ 	④ 	⑤
BOTTOM SHELF (1PC)	BACK PANEL (1PC)	STRETCHER(1PC)	GLASS (4PCS)	
⑥ 	⑦ 	⑧ 	⑨ 	

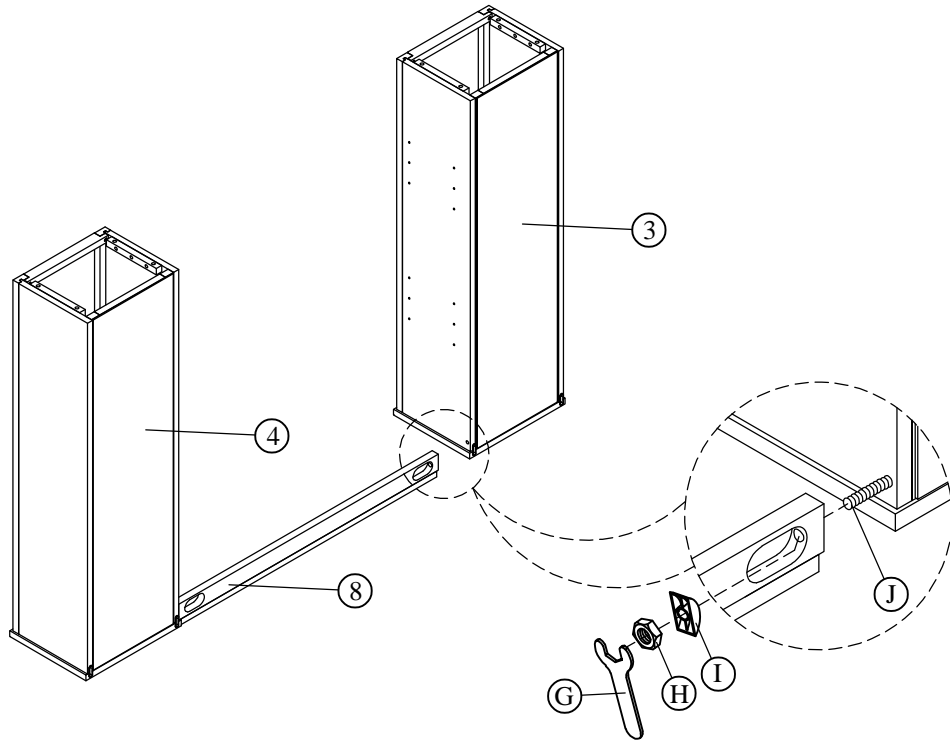


Parker House
FURNITURE

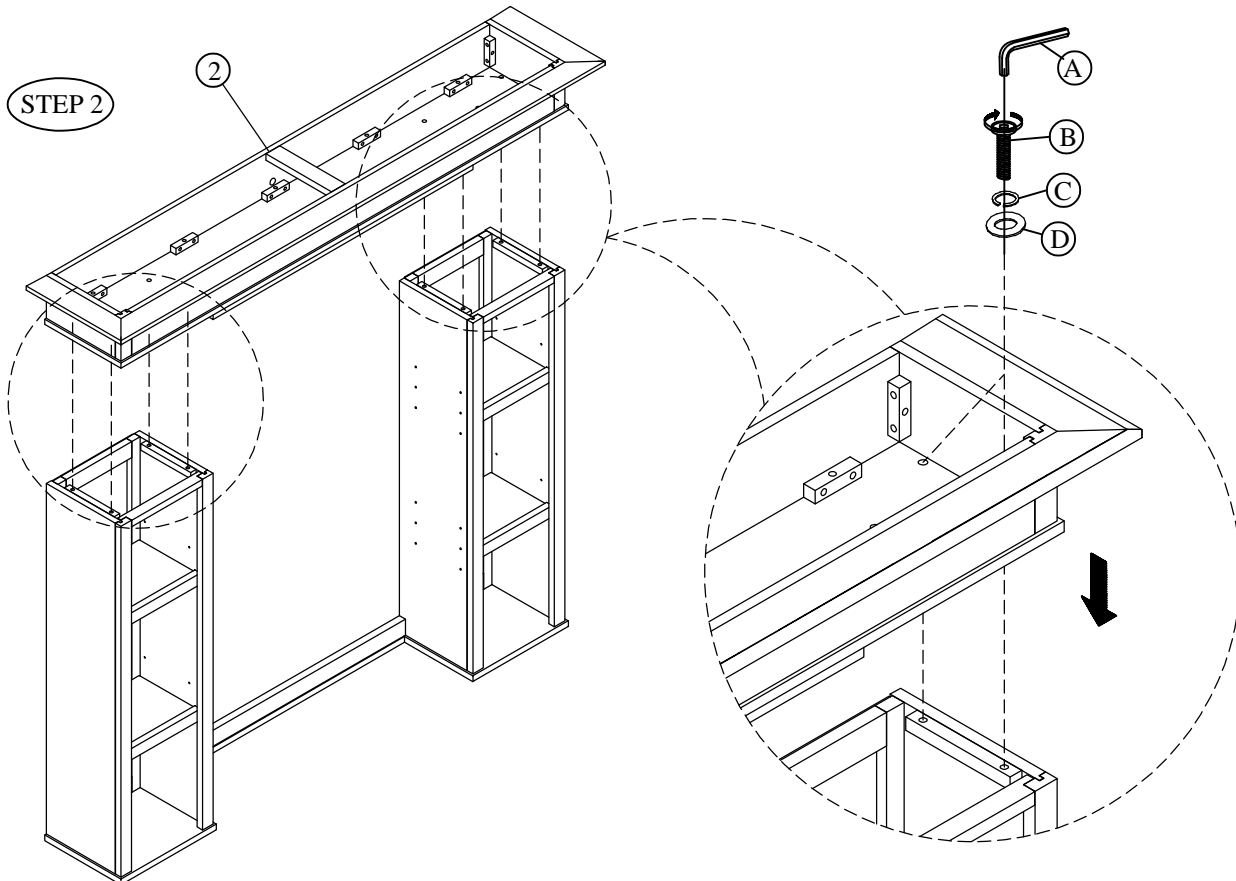
Assembly Instruction

Item No: DAME#69H
Description : DISPLAY HUTCH 69 IN

STEP 1



STEP 2



* Do not tighten bolts

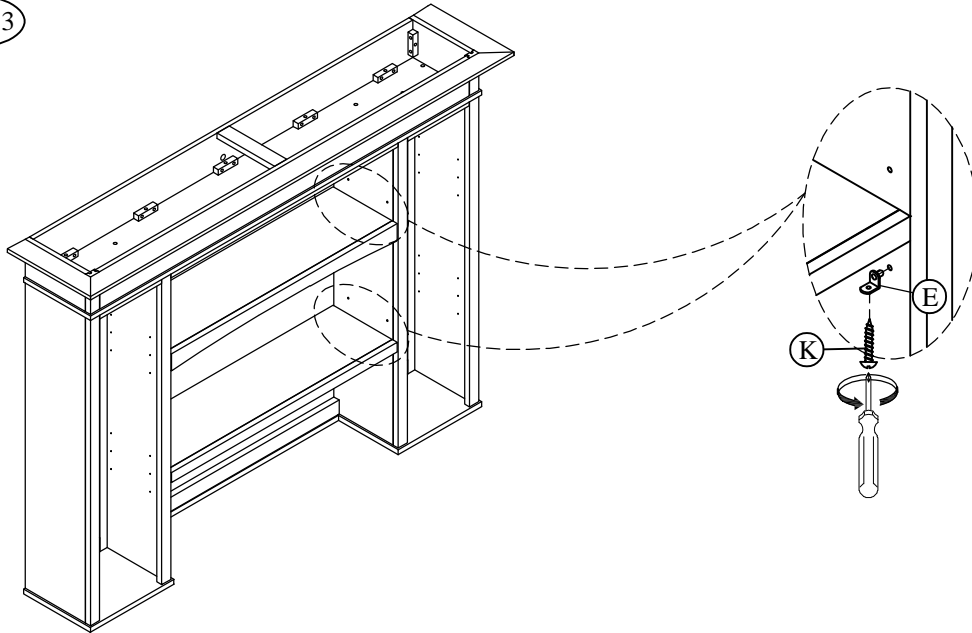


Parker House
FURNITURE

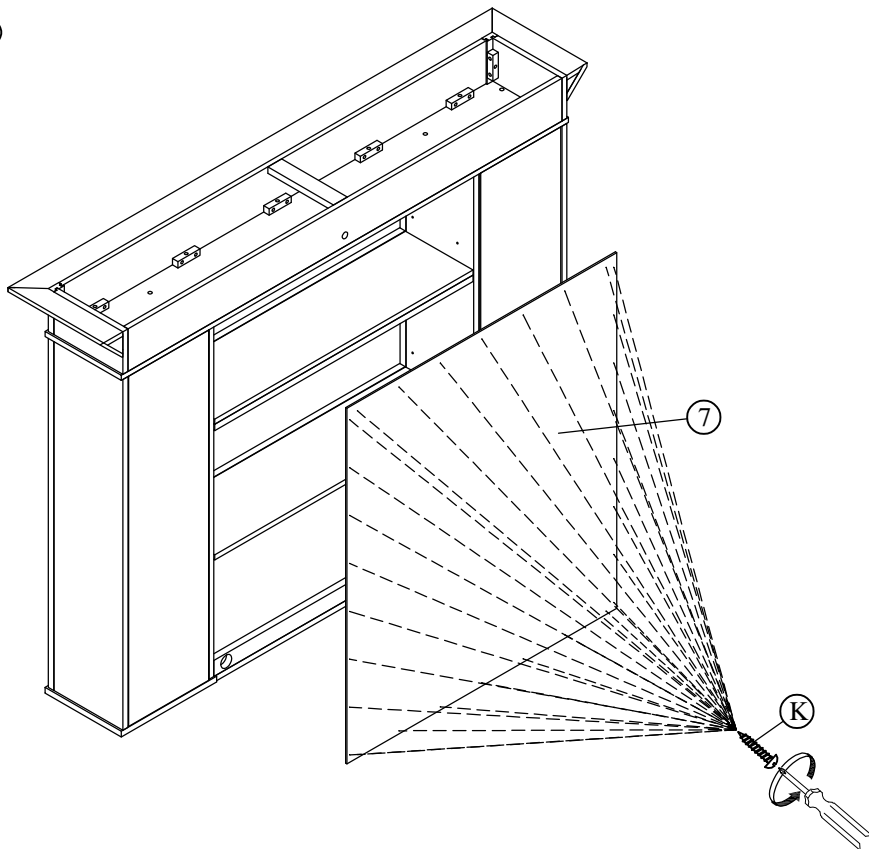
Assembly Instruction

Item No: DAME#69H
Description : DISPLAY HUTCH 69 IN

STEP 3



STEP 4

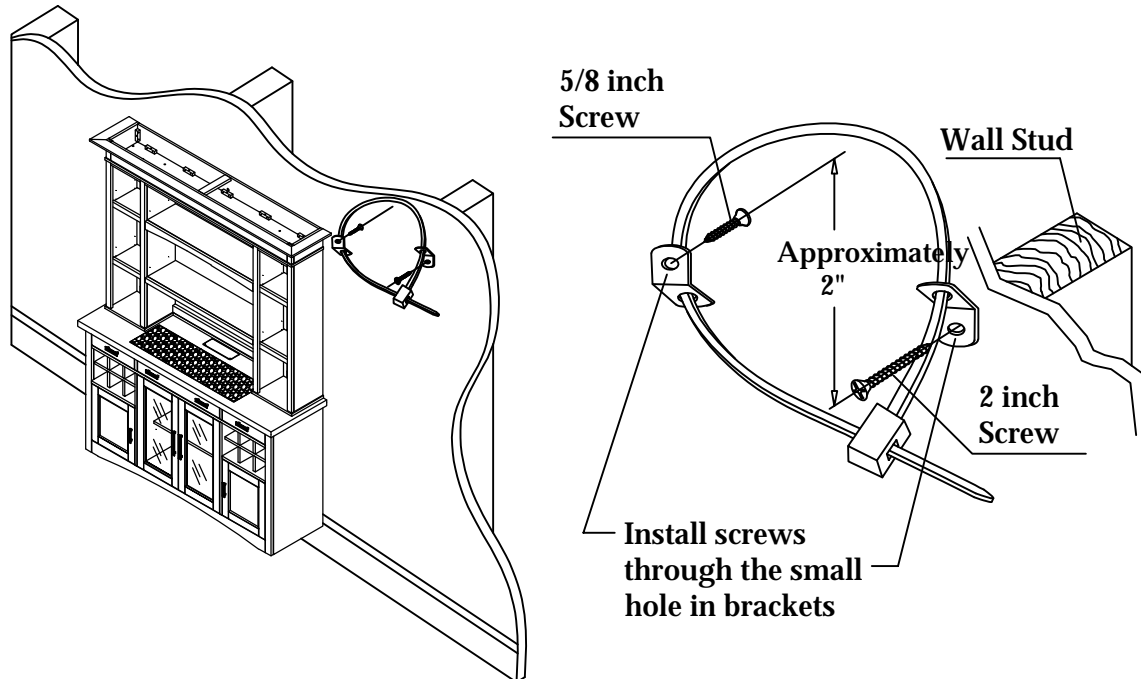




Parker House
FURNITURE

Anti-Tip Hardware Installation Instructions

Notice: In homes where small children may be present, Parker House. recommends that steps be taken for certain furniture items to prevent or minimize the risk of tip-over. This furniture is equipped with Tip-over Restraint Hardware for use to minimize this risk, if used. Please follow below installation steps. Parker House. recommends that parents and guardians periodically visit the U.S. Consumer Product Safety Commission (CPSC) website at <http://www.cpsc.gov/> and stay up to date on all issues related to children's product safety.



1. Temporarily locate the furniture to near it's final location in the room next to a wall. Locate a wall stud behind your furniture and also mark the stud's location on the back of your furniture.
2. Firmly attach one bracket to the stud approximately 2" below the top of the furniture with the 2 inch long Wood Screws provided. It may be necessary to drill 3/32 dia. pilot holes for the screws.
3. Firmly attach the other bracket onto a solid, structural part on the back of the furniture using the 5/8 inch long Wood Screws. It may also be necessary to pilot bore for these screws.
4. Move the furniture into its final position, taking care to line up the wall bracket with the furniture bracket. Thread a strap through the bracket as shown in the illustration. Tighten strap until snug but do not over tighten.

Caution: Parker House. assumes no liability for improper installation or excessive loads placed on screws, brackets or straps. Failure to detach this restraint before moving furniture may result in personal injury and property damage.

Warning: This tip-over restraint is not to be a substitute for proper adult supervision. Do not allow children to climb on furniture. Items left on top of the TV and furniture, such as toys, remote controls and treats might tempt young children to climb. Push the TV as far back as possible from the front of its stand. Place electrical cords out of a child's reach, and teach children not to play with the cords.