

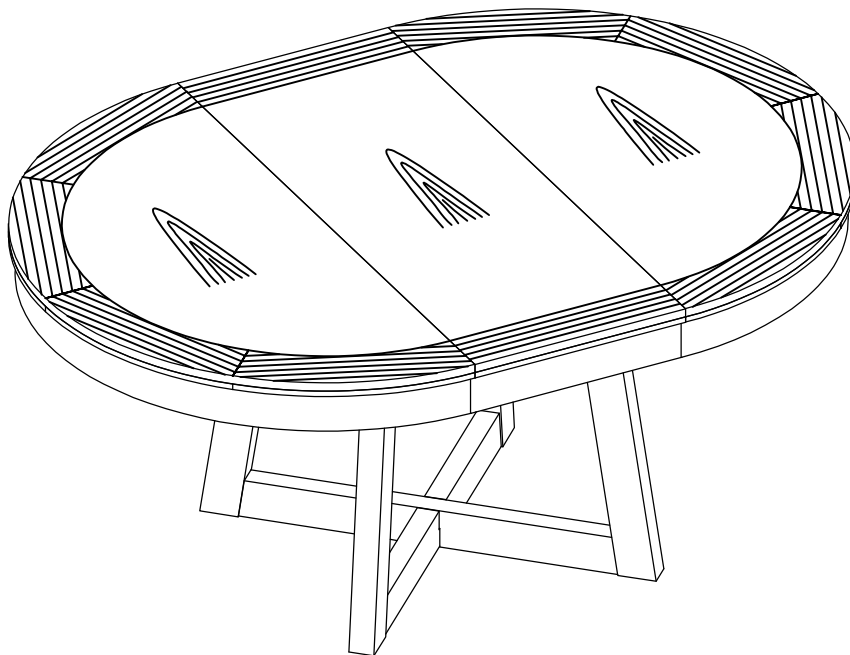
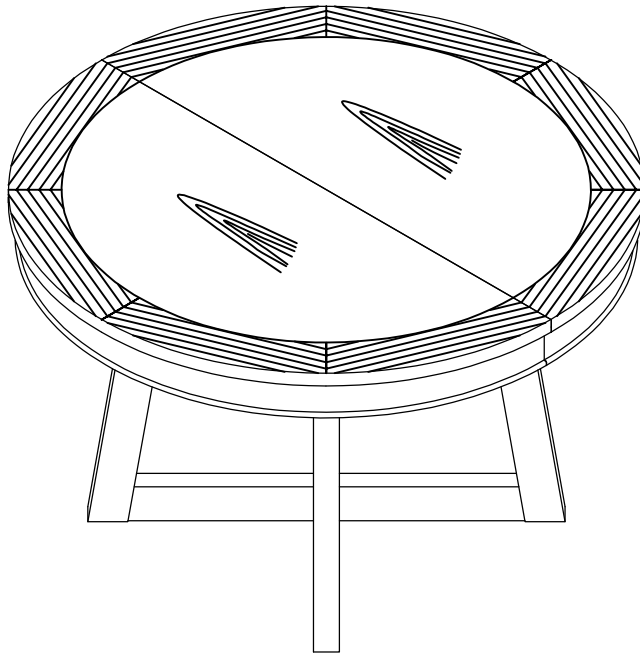


Parker House
FURNITURE

Assembly Instruction

Item No: DAME#48RND

Description : DINING TABLE 48 IN., ROUND TO 66IN (18 IN LEAF)













Assembly Instruction

Parker House
FURNITURE

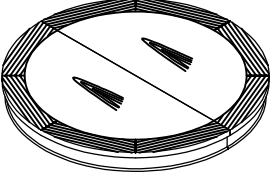
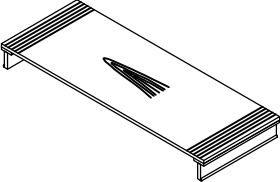
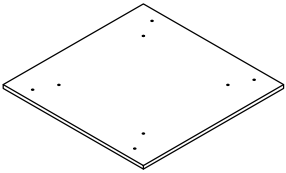
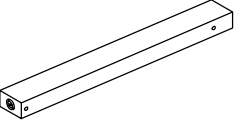
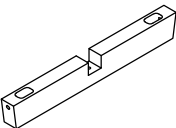
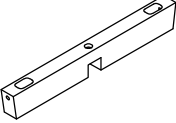
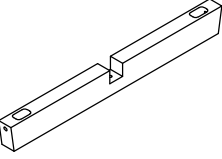
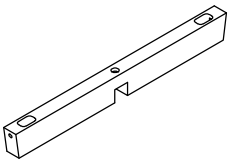
Item No: DAME#48RND
Description : DINING TABLE 48 IN., ROUND TO 66IN (18 IN LEAF)

HARDWARE LIST

No	Description	Sketch	Q'TY
A	Allen Wrench 4mm		1PC
B	Bolt Ø5/16x40mm		10PCS
C	Lock Washer Ø5/16x12mm		10PCS
D	Flat Washer Ø5/16x19mm		10PCS

E	Wrench Ø5/16		1PC
F	Hex Nut Ø5/16 x 12mm		8PCS
G	Halfmoon Washer		8PCS
H	Bolt Ø5/16 x 83mm		8PCS

PARTS LIST

TABLE TOP (1PC)	LEAF (1PC)	MOUNTING PLATE (1PC)	LEG (4PCS)
① 	② 	③ 	④ 
SHORT UPPER STRETCHER (1PC)	SHORT BOTTOM STRETCHER (1PC)	LONG UPPER STRETCHER (1PC)	LONG BOTTOM STRETCHER (1PC)
⑤ 	⑥ 	⑦ 	⑧ 



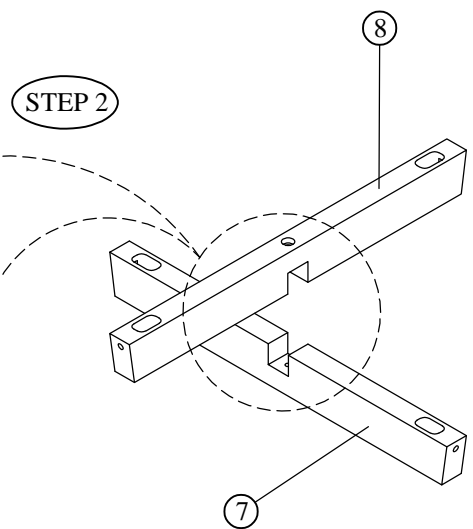
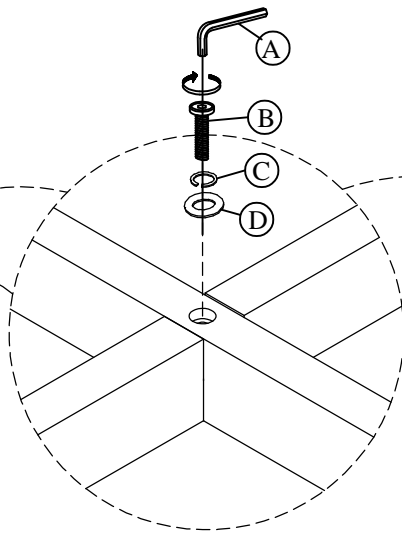
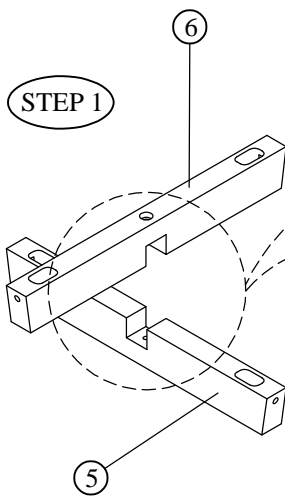
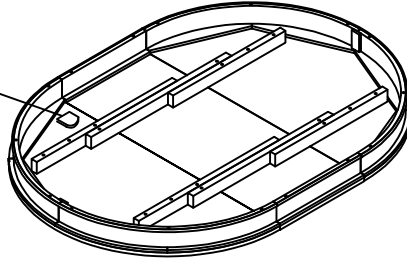
Parker House
FURNITURE

Assembly Instruction

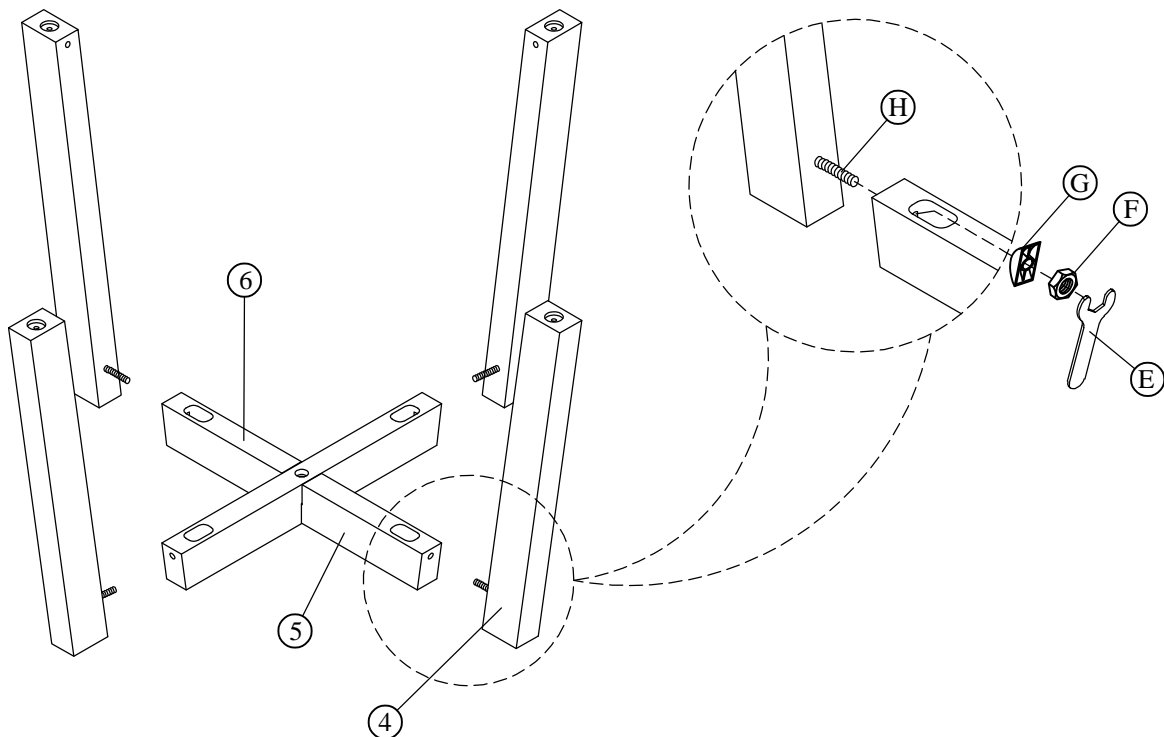
Item No: DAME#48RND

Description : DINING TABLE 48 IN., ROUND TO 66IN (18 IN LEAF)

Hardware are here



STEP 3





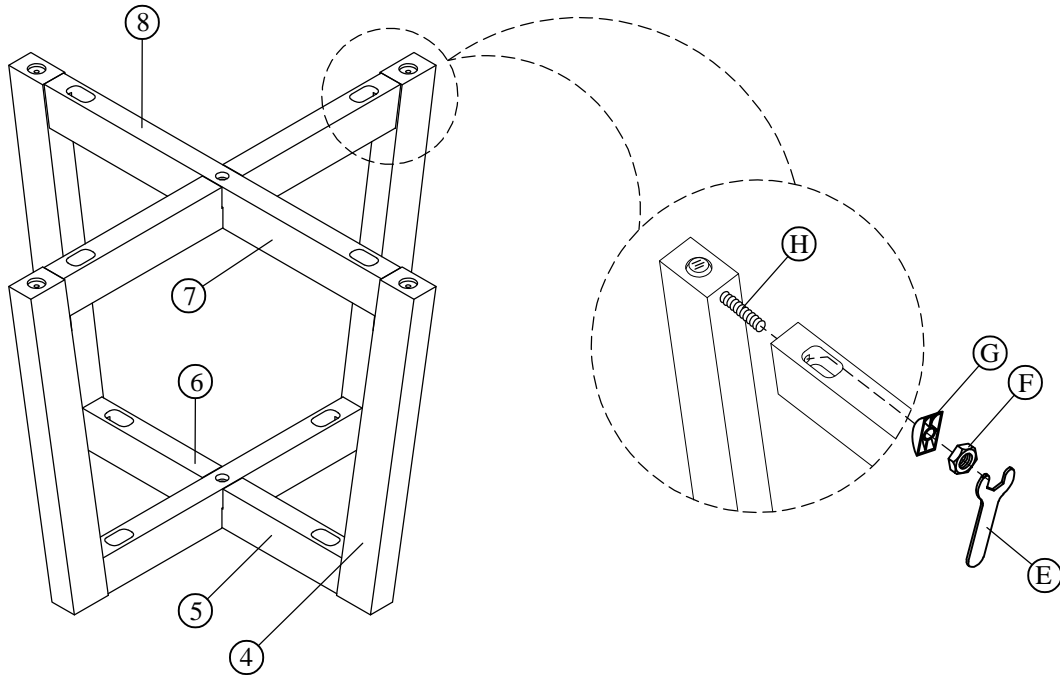
Parker House
FURNITURE

Assembly Instruction

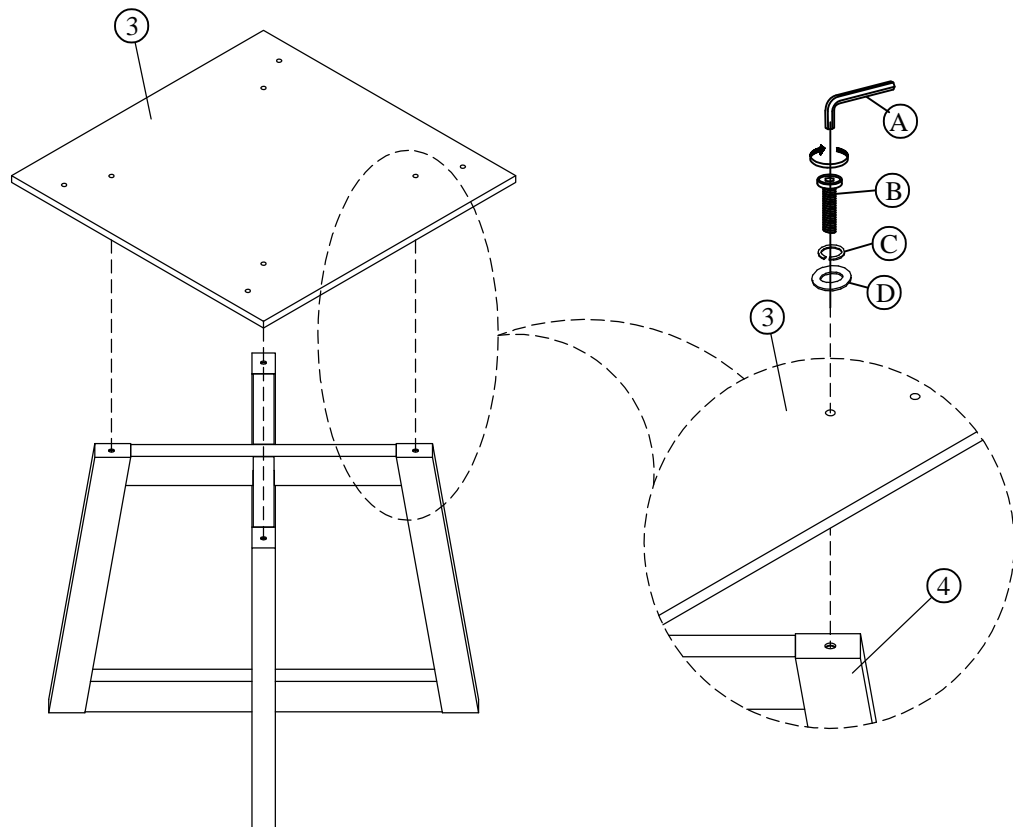
Item No: DAME#48RND

Description : DINING TABLE 48 IN., ROUND TO 66IN (18 IN LEAF)

STEP 4



STEP 5





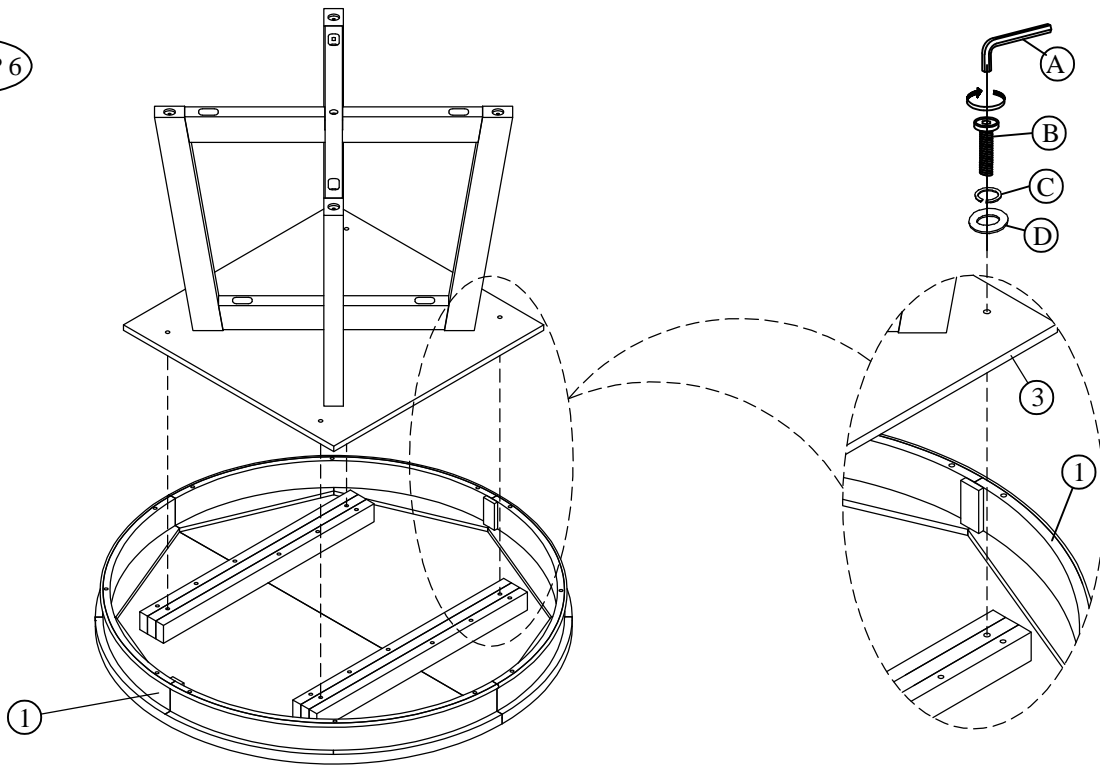
Parker House
FURNITURE

Assembly Instruction

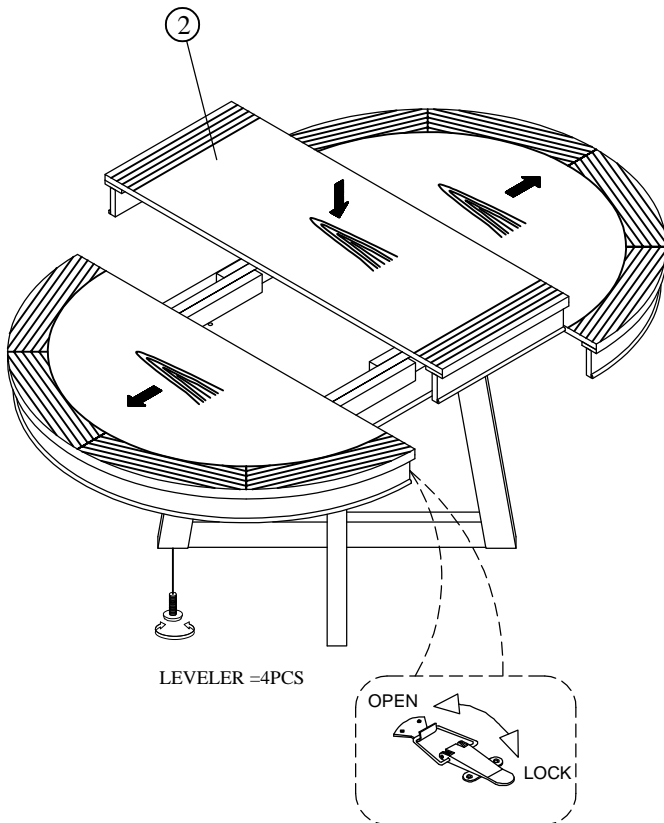
Item No: DAME#48RND

Description : DINING TABLE 48 IN., ROUND TO 66IN (18 IN LEAF)

STEP 6



STEP 7



LEVELER =4PCS