



Parker House
FURNITURE

Assembly Instruction

Item No: DAME#2518
Description : DINING CHAIR HOST

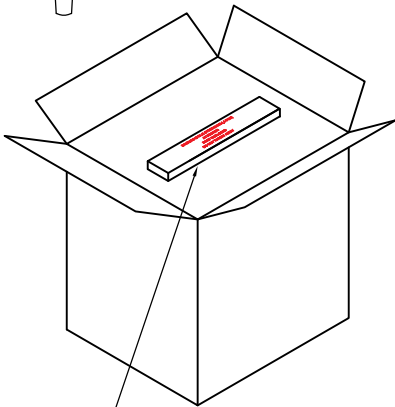
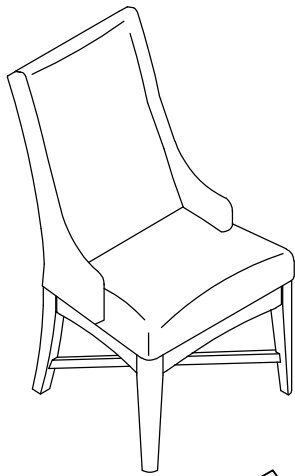
Rev 1 :2021-11-26

HARDWARE LIST (X2)

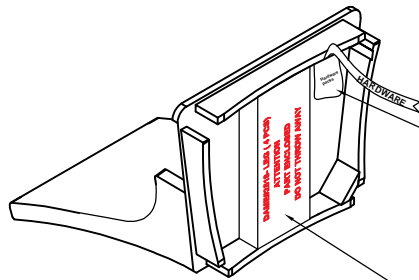
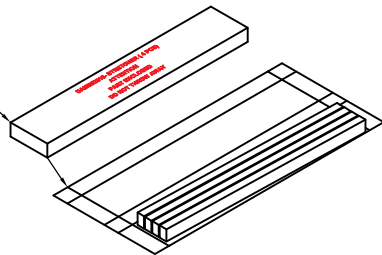
No	Description	Sketch	Q'TY
A	Allen Wrench 4mm		1PC
B	Bolt Ø1/4x60mm		8PCS
C	Lock Washer Ø1/4x12mm		8PCS
D	Flat Washer Ø1/4x19mm		8PCS
E	Screw #4x20mm		1PC
F	Screw #4x45mm		4PCS

PARTS LIST (X2)

SEAT FRAME (1PC)		FRONT LEG (2PCS)	
①		②	
LEFT BACK LEG (1PC)		RIGHT BACK LEG (1PC)	
③		④	
UPPER STRETCHER (1PC)		BOTTOM STRETCHER (1PC)	
⑤		⑥	

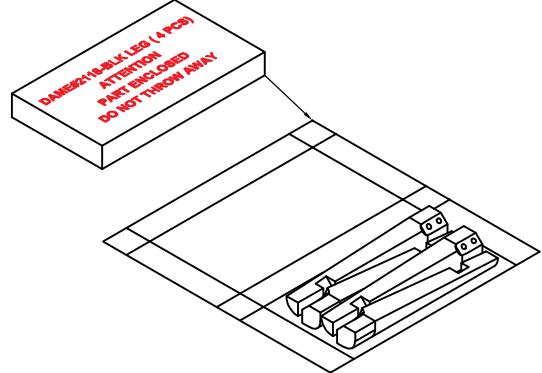


Stretcher pack is here



Hardware pack is screwed here

Legs pack is here





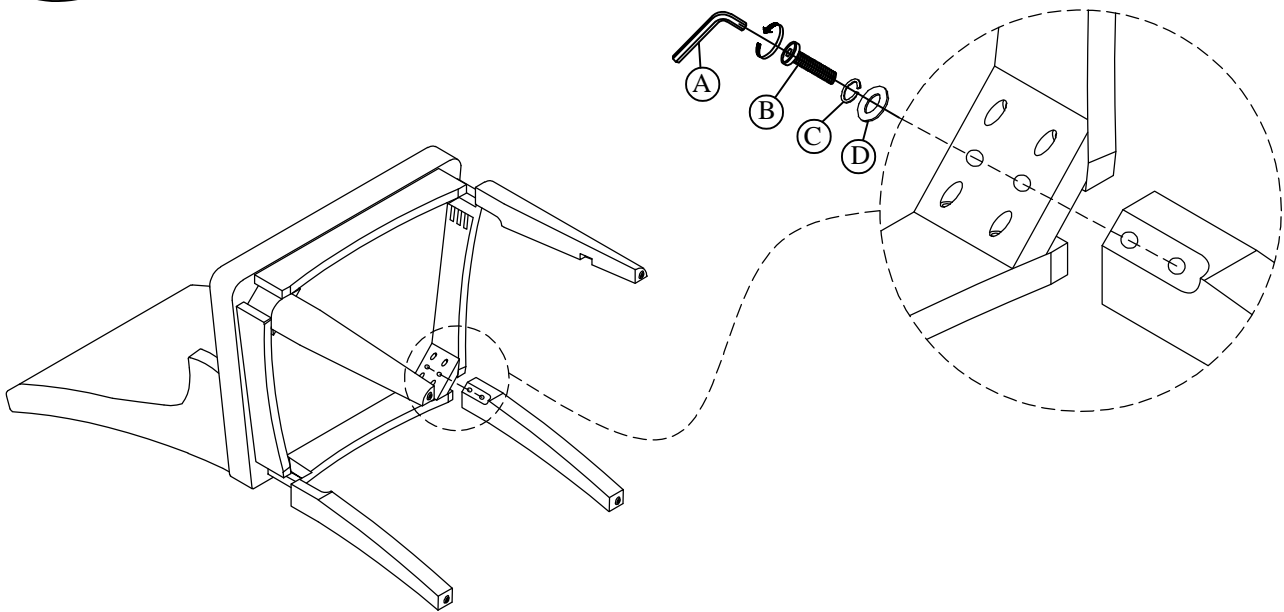
Parker House
FURNITURE

Assembly Instruction

Item No: DAME#2518
Description : DINING CHAIR HOST

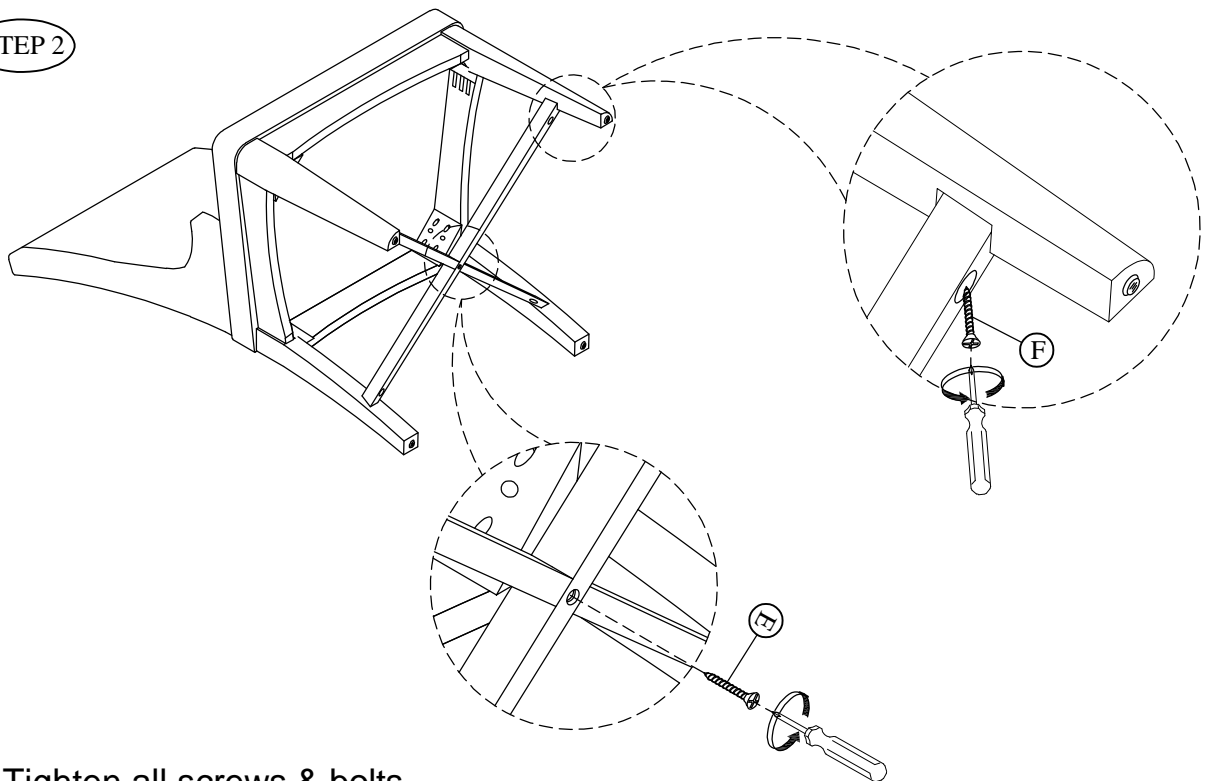
Rev 1 :2021-11-26

STEP 1



* Do not tighten bolts

STEP 2



* Tighten all screws & bolts