



**Parker House**  
FURNITURE

# Assembly Instruction

Item No: DAME#2230S

Description : SWIVEL BARSTOOL SPINDLE BACK

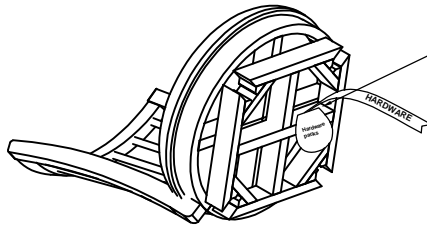
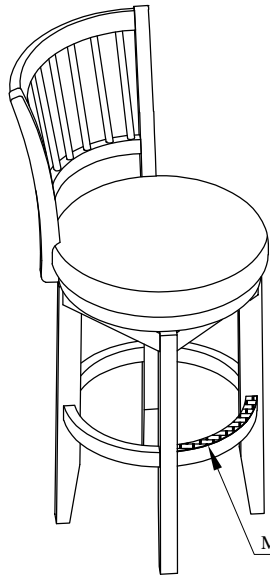
Rev 1 :2021-11-26

## HARDWARE LIST

No	Description	Sketch	Q'TY
A	Allen Wrench 4mm		1PC
B	Bolt Ø1/4x60mm		8PCS
C	Lock Washer Ø1/4x12mm		8PCS
D	Flat Washer Ø1/4x19mm		8PCS
E	Screw #4x45mm		8PCS

## PARTS LIST

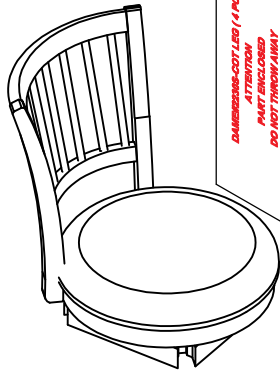
SEAT FRAME (1PC)		LEG (4PCS)	
①		②	
STRETCHER (3PCS)		FRONT STRETCHER WITH METAL (1PC)	
③		④	



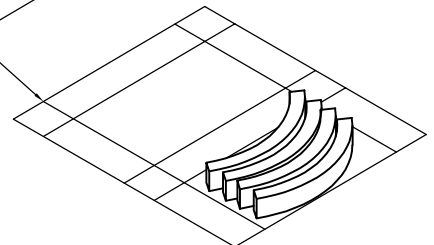
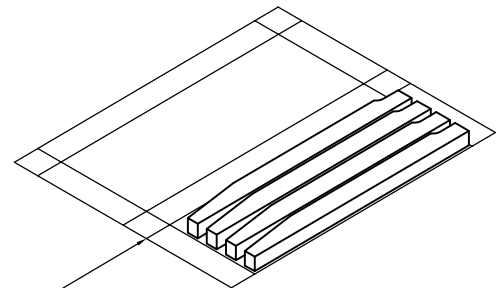
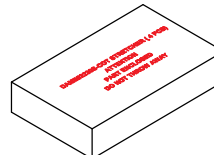
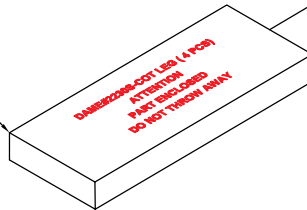
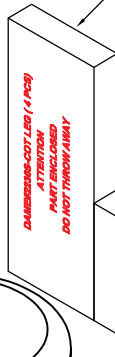
Hardware pack is screwed here

METAL BAR

Legs pack is here



Stretcher pack is here





Parker House  
FURNITURE

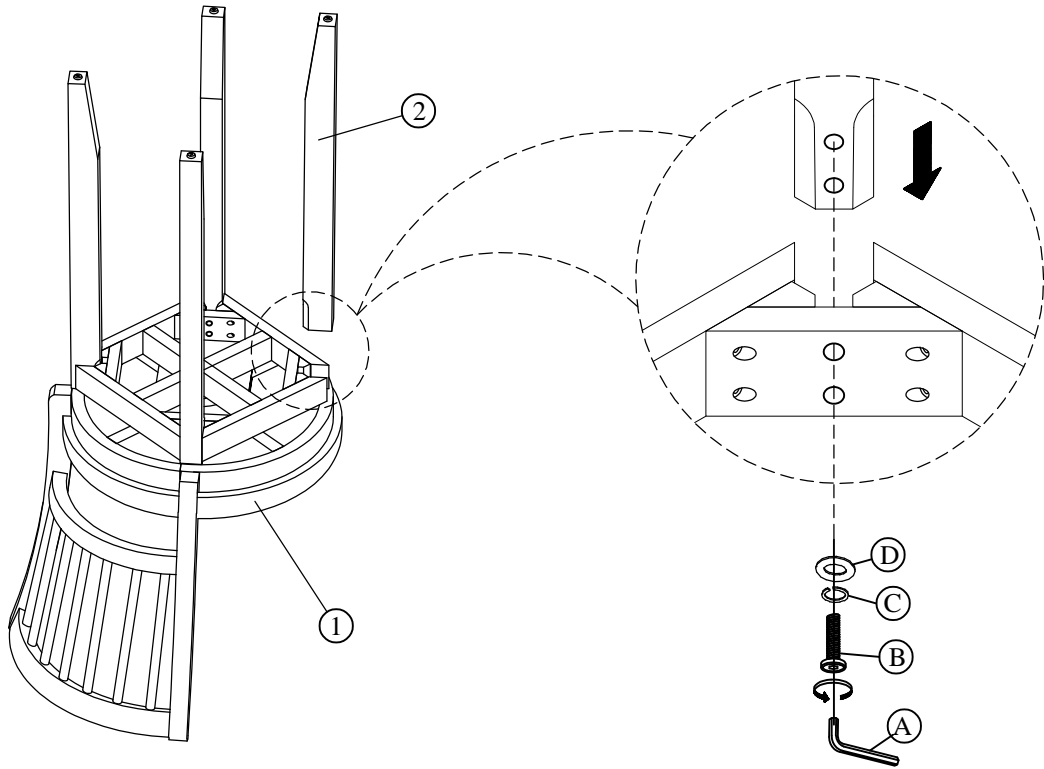
# Assembly Instruction

Item No: DAME#2230S

Description : SWIVEL BARSTOOL SPINDLE BACK

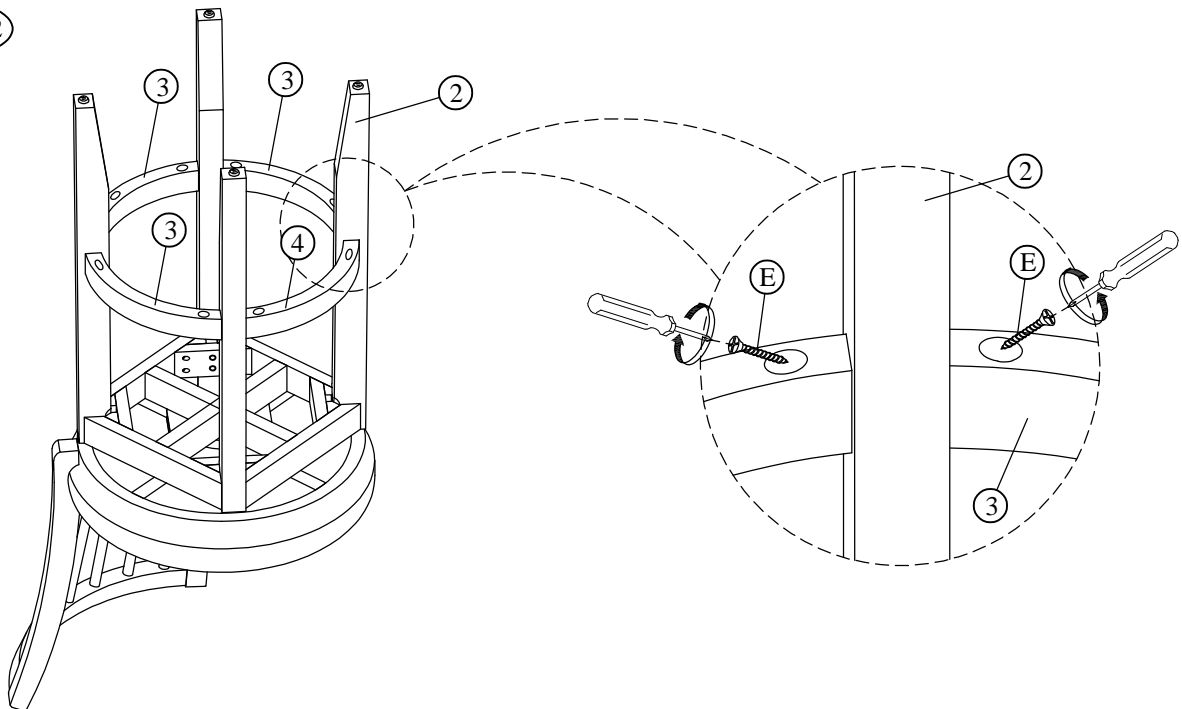
Rev 1 :2021-11-26

STEP 1



\* Do not tighten bolts

STEP 2



\* Tighten all screws & bolts