










Parker House
FURNITURE

Assembly Instruction

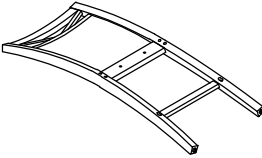
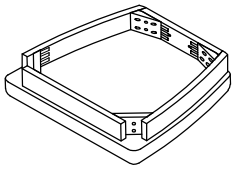
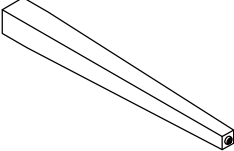
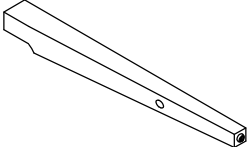
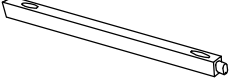
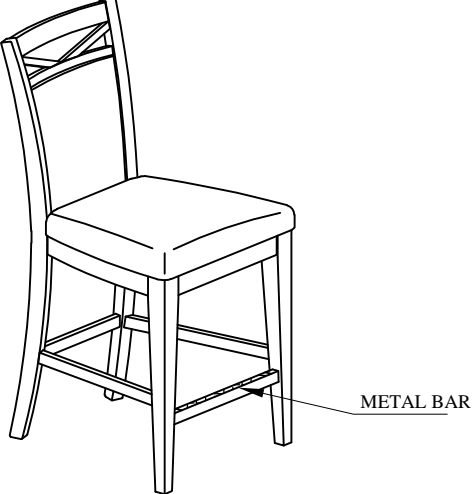
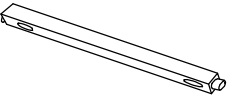
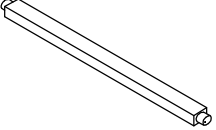
Item No: DAME#2226

Description : COUNTER STOOL UPHOLSTERED

HARDWARE LIST

No	Description	Sketch	Q'TY
A	Allen Wrench 4mm		1PC
B	Bolt Ø1/4x40mm		2PCS
C	Bolt Ø1/4x60mm		4PCS
D	Bolt Ø1/4x75mm		4PCS
E	Lock Washer Ø1/4x12mm		10PCS
F	Flat Washer Ø1/4x19mm		10PCS
G	Screw #4x38mm		6PCS

PARTS LIST

BACK FRAME (1PC)	SEAT FRAME (1PC)	LEFT FRONT LEG (1PC)	RIGHT FRONT LEG (1PC)	LEFT STRETCHER (1PC)
① 	② 	③ 	④ 	⑤ 
RIGHT STRETCHER (1PC)	FRONT STRETCHER WITH METAL (1PC)			
⑥ 	⑦ 			



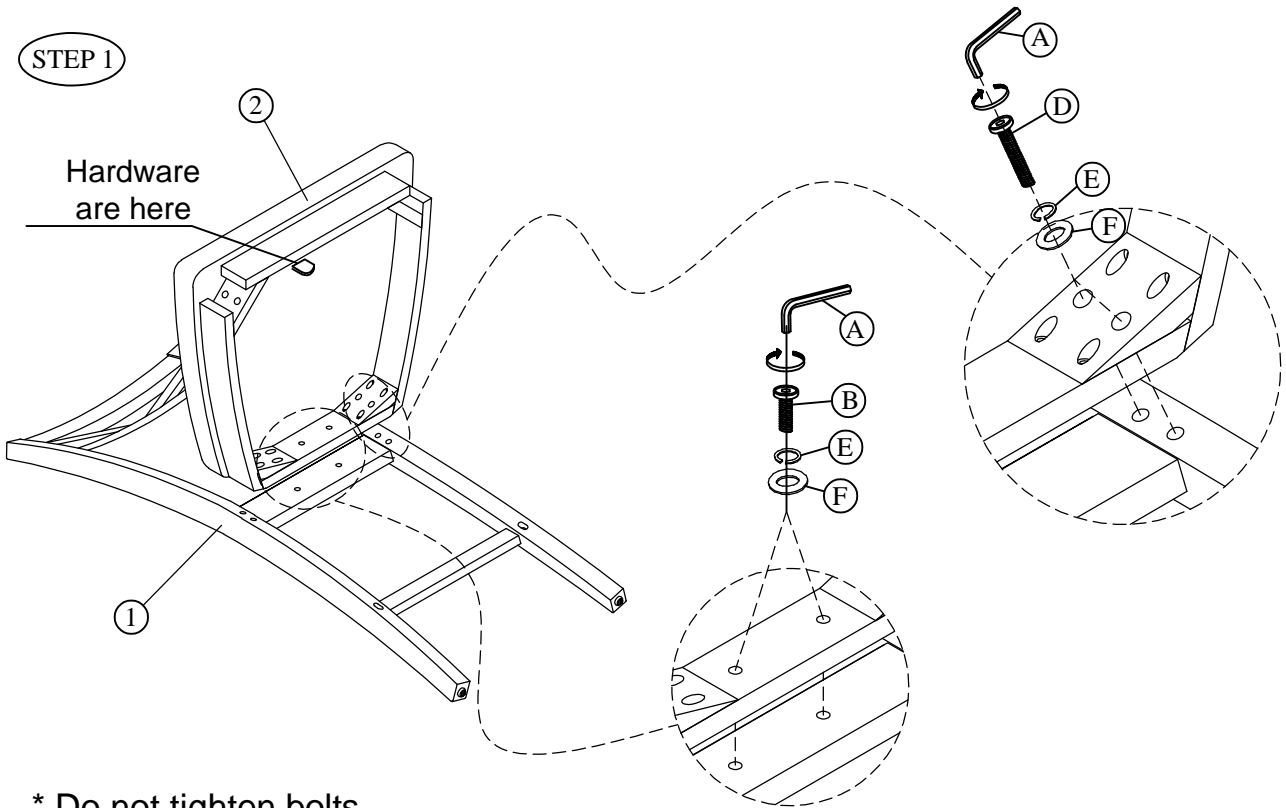
Parker House
FURNITURE

Assembly Instruction

Item No: DAME#2226

Description : COUNTER STOOL UPHOLSTERED

STEP 1



STEP 2

