









Parker House  
FURNITURE

# Assembly Instruction

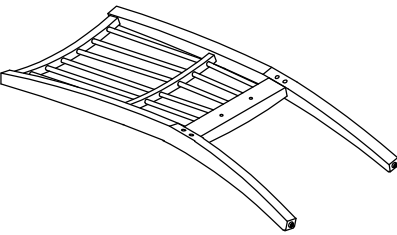
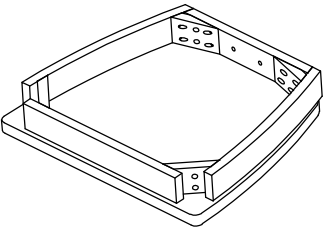
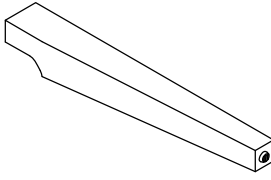
Item No: DAME#2018

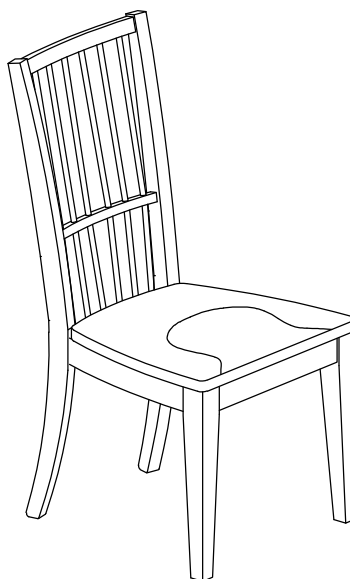
Description : DINING CHAIR SPINDLE BACK

## HARDWARE LIST

No	Description	Sketch	Q'TY
A	Allen Wrench 4mm		1PC
B	Bolt Ø1/4x40mm		2PCS
C	Bolt Ø1/4x60mm		4PCS
D	Bolt Ø1/4x75mm		4PCS
E	Lock Washer Ø1/4x12mm		10PCS
F	Flat Washer Ø1/4x19mm		10PCS

## PARTS LIST

CHAIR BACK (1PC)	SEAT FRAME (1PC)	LEG (2PCS)
① 	② 	③ 





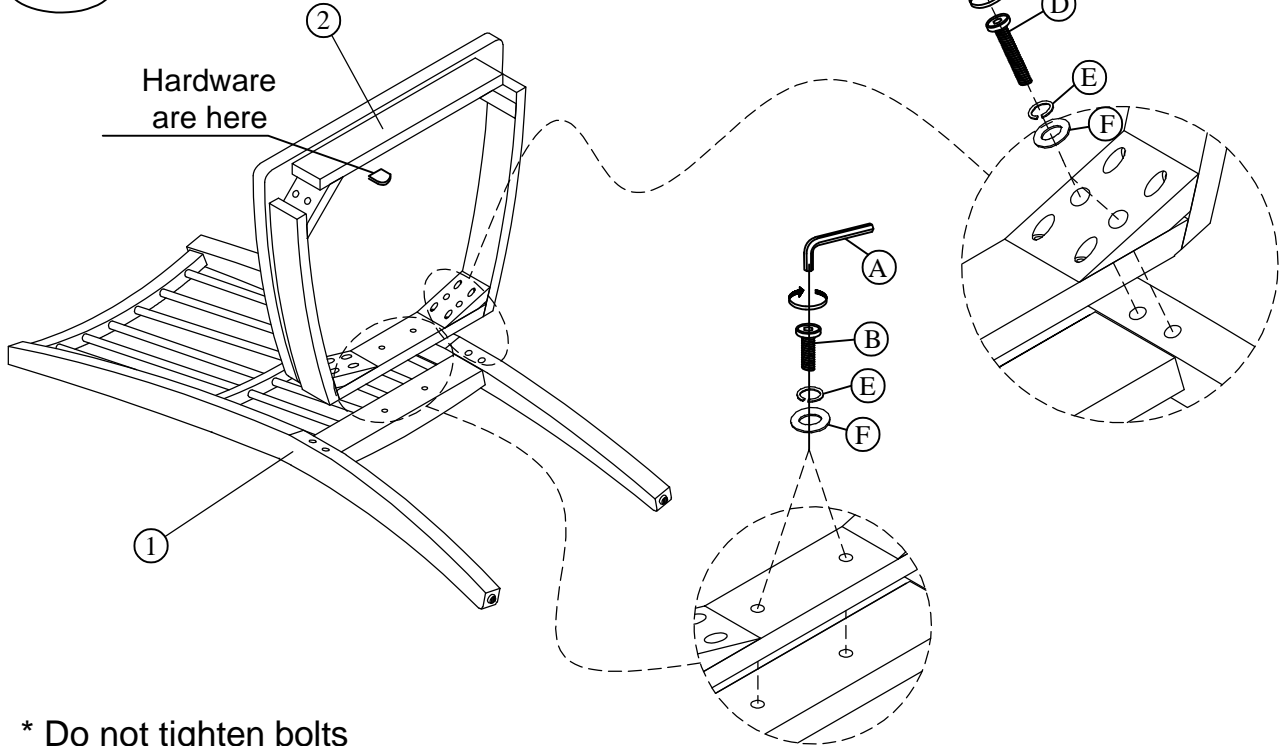
Parker House  
FURNITURE

# Assembly Instruction

Item No: DAME#2018

Description : DINING CHAIR SPINDLE BACK

STEP 1



STEP 2

